

4

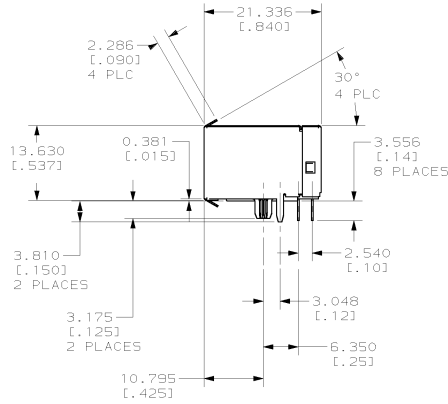
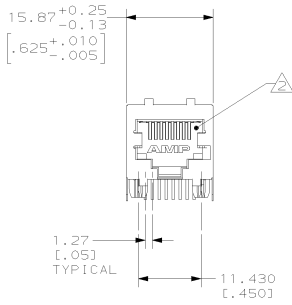
3

2

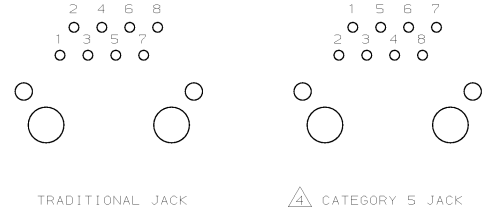
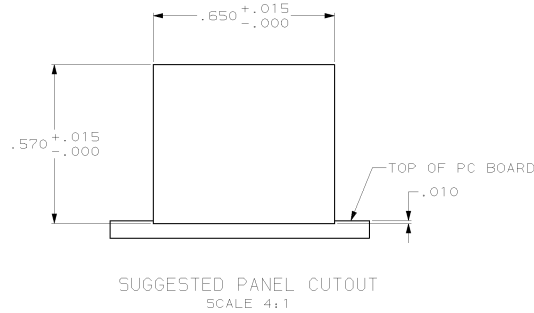
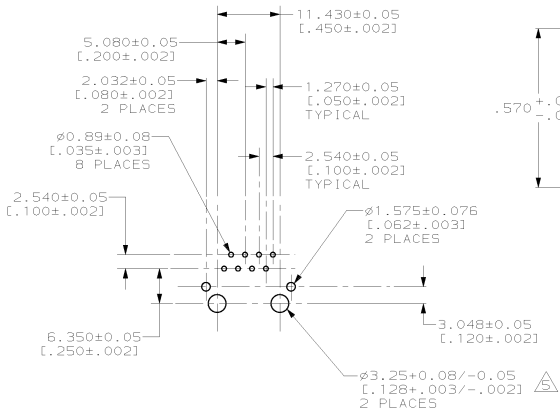
1

THIS DRAWING IS UNPUBLISHED. RELEASED FOR PUBLICATION
 (C) COPYRIGHT IS BY AMP INCORPORATED. ALL RIGHTS RESERVED.

LOC	DATE	REVISIONS	DATE	BY	APP'D
AA	22				
F	LM	DESCRIPTION			
D	REV, EC 067A-0191-98		29JAN99	DLD	CMB



- ⚠ MATERIAL: HOUSING PCT POLYESTER, BLACK, IR COMPATIBLE, UL 94V-0. TERMINALS - 0.33[0.013] THICK PHOS BRONZE PLATED WITH 1.27µm[0.00050] MINIMUM THICK HARD GOLD IN LOCALIZED AREA AND 3.81µm [0.00150] MINIMUM THICK TIN-LEAD IN SOLDER AREA OVER 1.27µm[0.00050] MINIMUM THICK NICKEL UNDERPLATE. SHIELDS - 0.254[0.010] THICK COPPER ALLOY PLATED WITH 2.03µm[0.00080] MINIMUM TIN-LEAD OVER 2.54µm[0.00100] MINIMUM COPPER.
- ⚠ JACK CAVITY CONFORMS TO FCC RULES AND REGULATIONS, PART 68 SUBPART F.
- 3. ALL DIMENSIONS SHOWN ARE NOMINAL UNLESS OTHERWISE SPECIFIED.
- ⚠ CAUTION: CATEGORY 5 JACK SOLDER TAIL POSITIONS DO NOT FOLLOW SAME NUMBER SEQUENCE AS THAT OF TRADITIONAL JACKS.
- ⚠ USE #30 DRILL BIT OR 3.25mm DRILL BIT WHEN PRODUCING THESE PCB HOLES.



SUGGESTED PC BOARD LAYOUT
COMPONENT SIDE

SUGGESTED PANEL CUTOUT
SCALE 4:1

558344-1
PART NUMBER

THIS DRAWING IS UNPUBLISHED. RELEASED FOR PUBLICATION. ALL RIGHTS RESERVED. (C) COPYRIGHT IS BY AMP INCORPORATED. ALL RIGHTS RESERVED.		DWG: T. PITTS 2-2-94 DES: J. FOX 2-16-94 APP'D: J. FOX 2-16-94 PROD: J. FOX 2-16-94	AMP AMP Incorporated Harrisburg, PA 17105-3608
DIMENSIONS: mm [INCHES]	DIMENSIONS UNLESS OTHERWISE SPECIFIED: 0 PLC ±.010 1 PLC ±.015 2 PLC ±.020 3 PLC ±.025 4 PLC ±.030 5 PLC ±.035 6 PLC ±.040 7 PLC ±.045 8 PLC ±.050 ANGLES: 45° ±.005 FINISH:	PRODUCT SPEC: 108-1163 APPLICATION SPEED: 114-2048 WEIGHT:	MODULAR JACK ASSEMBLY, 8 POSITION, RIGHT ANGLE, LOW PROFILE, SHIELDED, PANEL GROUND, CATEGORY 5 SIZE: A2 00779 SCALE: 2:1 SHEET: 1 OF 1 REV: 0

558344

A