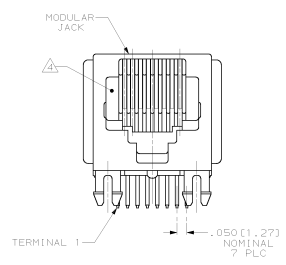
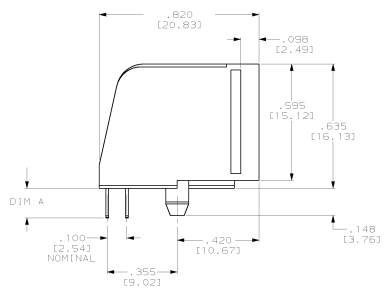
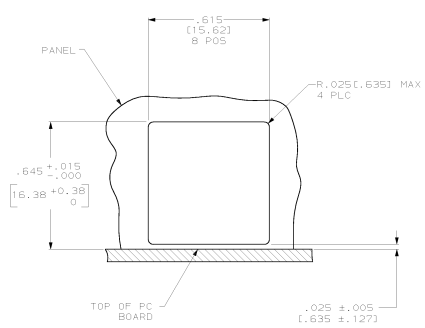
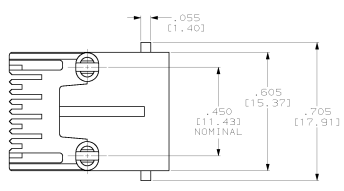


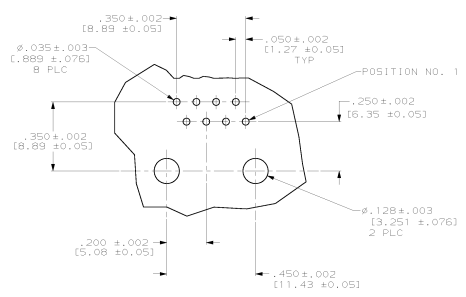
REV	DATE	DESCRIPTION	BY	CHK	APP
1		REACTIVATED -9, EE 0511-0069-02			



- ⚠ DIMENSIONS ARE MAXIMUM UNLESS OTHERWISE SPECIFIED.
- 2. DIMENSIONS IN BRACKETS [ ] ARE IN MILLIMETERS.
- ⚠ MATERIAL: HOUSING - PBT POLYESTER, BLACK. TERMINAL - PHOS-BRONZE PLATED WITH .000050 [1.27μm] THICK HARD GOLD IN LOCALIZED GOLD PLATE AREA AND .000080 [2.03μm] THICK TIN-LEAD IN SOLDER AREA OVER .000550 [1.27μm] THICK NICKEL UNDERPLATE.
- ⚠ CAVITY CONFORMS TO FCC RULES AND REGULATIONS PART 68 AND REA BULLETIN 345-81, PE-78 SPECIFICATION FOR MODULAR TELEPHONE HARDWARE.
- ⚠ BULK PACKAGED IN A TRAY.



SUGGESTED PANEL CUTOUT



SUGGESTED PRINTED CIRCUIT BOARD LAYOUT  
 NONCOMPONENT SIDE SHOWN

DIM #	PACKAGED	TERMINALS	PART NUMBER
.10-.12 [2.54-3.05]	⚠	B	520251-9
.13-.17 [3.30-4.32]	⚠	B	520251-4

DESCRIPTION	QUANTITY	DATE	BY	CHK	APP
MODULAR JACK ASSEMBLY, SIDE ENTRY, 8 POSITION, FLANGELESS, WITH PANEL STOPS	108-1163	5-23-95			
REVISED DATE	114-2048				
PARTIAL					