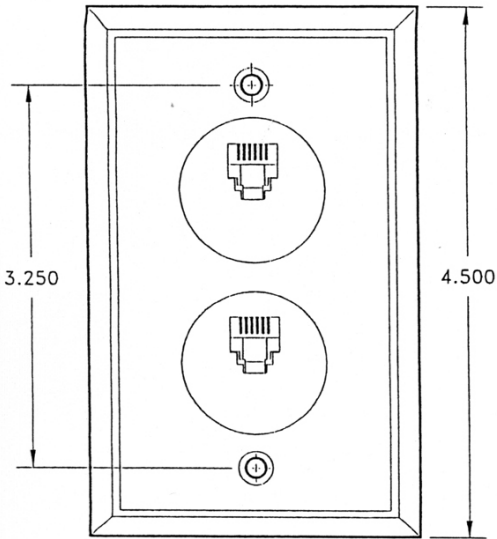
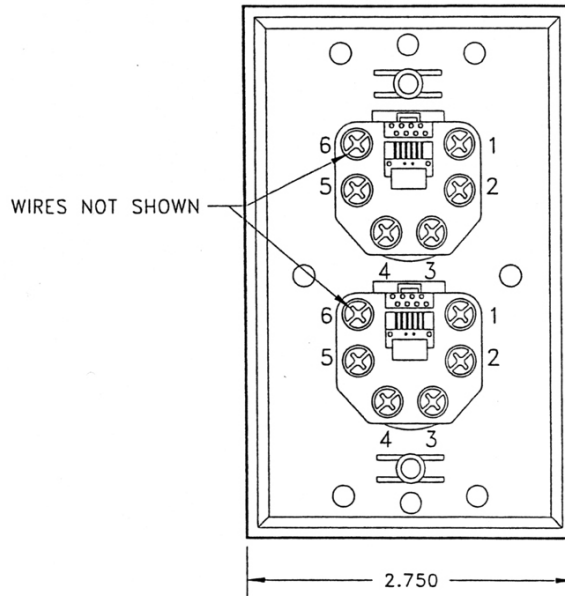


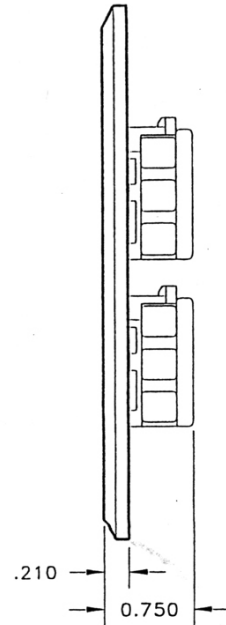
FRONT VIEW



REAR VIEW



SIDE VIEW



COLOR CODE

POS.	6P6C
1	WHITE
2	BLACK
3	RED
4	GREEN
5	YELLOW
6	BLUE



MATERIAL:

- (HOUSING) - ABS MOLDING COMPOUND
- (CONTACT) - BRASS, GOLD OVER NICKEL
- 2 EACH PART IS INDIVIDUALLY PACKAGED IN A PLASTIC BAG.
- 3. ALL DIMENSIONS ARE APPROXIMATE AND SHOULD BE USED FOR REFERENCE ONLY.
- 4. TWO 6-32 X .875 LONG SCREWS FOR MOUNTING SHIPPED LOOSE. NOT SHOWN ON DRAWING.

IVORY	
WHITE	
COLOR	PART NO



DESCRIPTION: DUAL FLUSH MOUNT WALLPLATE, RJ12

CHK:

APRVD:

REV.: A

DWG BY: A. MEDINA

DATE: 03-08-2000

DO NOT SCALE

PART NO.:

**AMK-0060**

COLOR: ASH

MATERIAL:

DWG NO. D.S. 1208