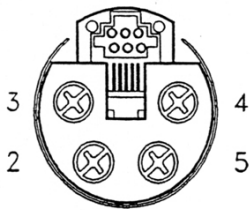
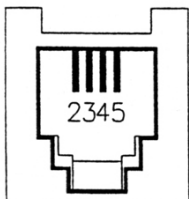


BACK VIEW

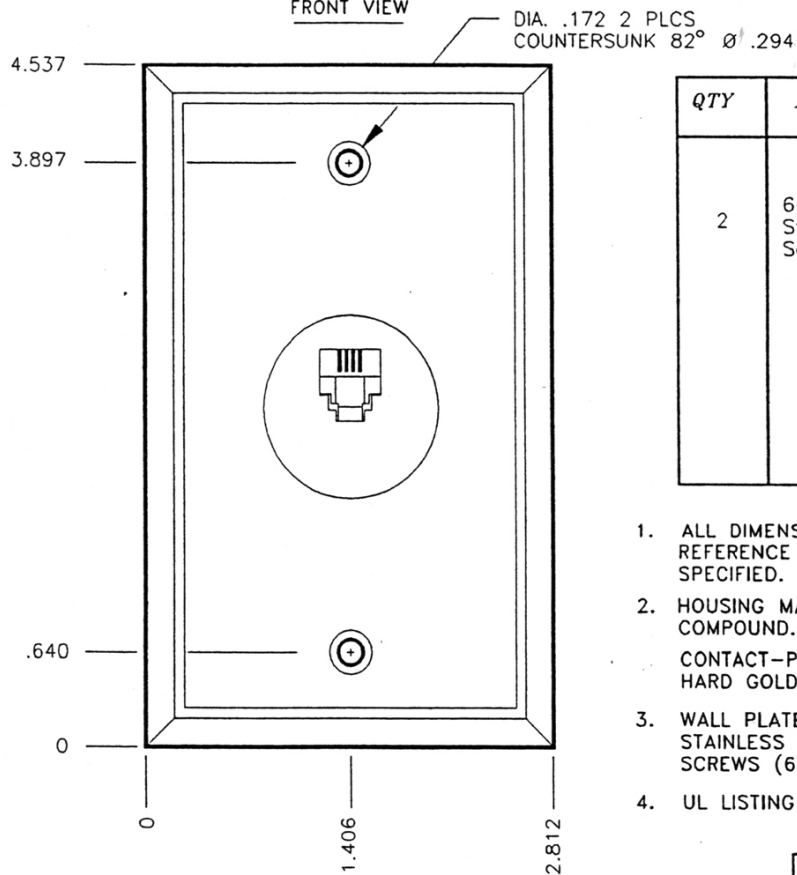


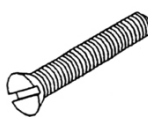
COLOR CODE

POS.	6P4C
2	BLACK
3	RED
4	GREEN
.5	YELLOW



FRONT VIEW



QTY	ACCESSORY PARTS (INCLUDED)
2	6-32 X .875 Stainless Steel, Screw 

1. ALL DIMENSIONS SHOWN ARE FOR REFERENCE ONLY UNLESS OTHERWISE SPECIFIED.
2. HOUSING MATERIAL: ABS MOLDING COMPOUND.
CONTACT-PLANTING: 15m MINIMUM HARD GOLD OVER NICKEL.
3. WALL PLATE FURNISHED WITH TWO, STAINLESS STEEL, PHILLIPS, OVAL HEAD SCREWS (6-32 X 0.875).
4. UL LISTING E136760

IVORY	
WHITE	
COLOR	PART NO



DESCRIPTION: SINGLE FLUSH MOUNT WALL PLATE 6P4C JACK

CHK:

APRVD: 

REV.: A

DWG BY: Q. NGUYEN

COLOR: ASH

DATE: 12-29-98

MATERIAL:

DO NOT SCALE

DWG NO. D.S. 1118

PART NO.:

AMK-0059