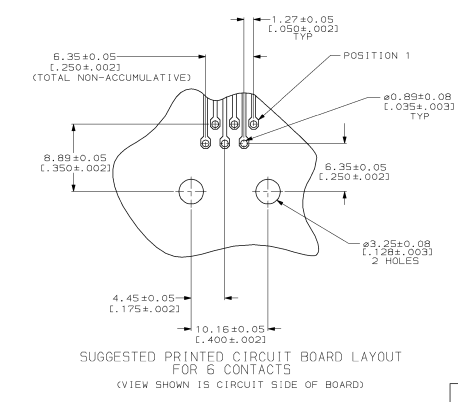
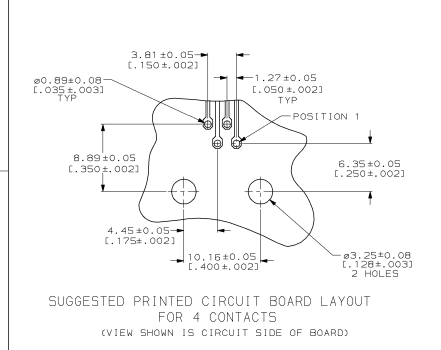
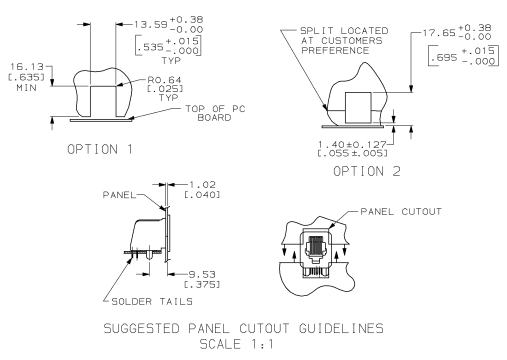
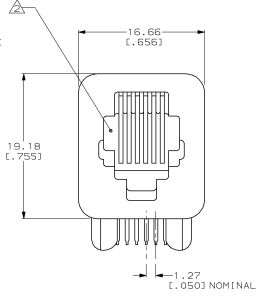
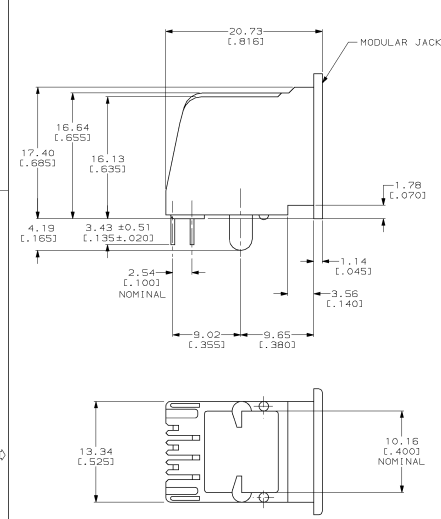


REV	DATE	DESCRIPTION	BY	APP'D
AA	22	E	REVISED; EC 0210-0052-94	3-9-94



⚠ MATERIAL: HOUSING - PBT POLYESTER, BLACK  
 TERMINAL - 0.351 (.0138) THICK PHOS-BRONZE PLATED WITH 0.0013 (.00005) THICK HARD GOLD IN LOCALIZED GOLD PLATE AREA AND 0.0020 (.00008) THICK TIN-LEAD IN SOLDER AREA OVER 0.0013 (.00005) THICK NICKEL UNDERPLATE.

⚠ CAVITY CONFORMS TO FCC RULES AND REGULATIONS PART 68 AND REA BULLETIN 345-81, PE-76 SPECIFICATION FOR MODULAR TELEPHONE HARDWARE.

3. ALL DIMENSIONS ARE MAXIMUM UNLESS OTHERWISE SPECIFIED.

REV	DATE	DESCRIPTION	BY	APP'D
6				
4				

CONTACTS	4	520242-3
PART NO	4	520242-2

DO NOT SCALE PRINT, UNLESS SPECIFIED. DIMENSIONS IN mm (INCHES) TO 3 DEC. 2 PL. DEC. 4 INCHES	DR 3-9-94 KILLMANN/ATA	AMP Incorporated Harrisburg, PA 17105-3608
MATERIAL	APPD 3-28-94 H. HIGBATH	
FINISH	PRODUCT SPEC 108-1163	NAME PRINTED CIRCUIT BOARD MODULAR JACK ASSEMBLY SIDE ENTRY, 6 POSITION, FLANGED
RETWORK	APPLICATION SPEC 114-2048	SIZE D 00779
		DRAWING NO 520242
		SCALE 4:1
		SHEET 1 OF 1

CUSTOMER DRAWING