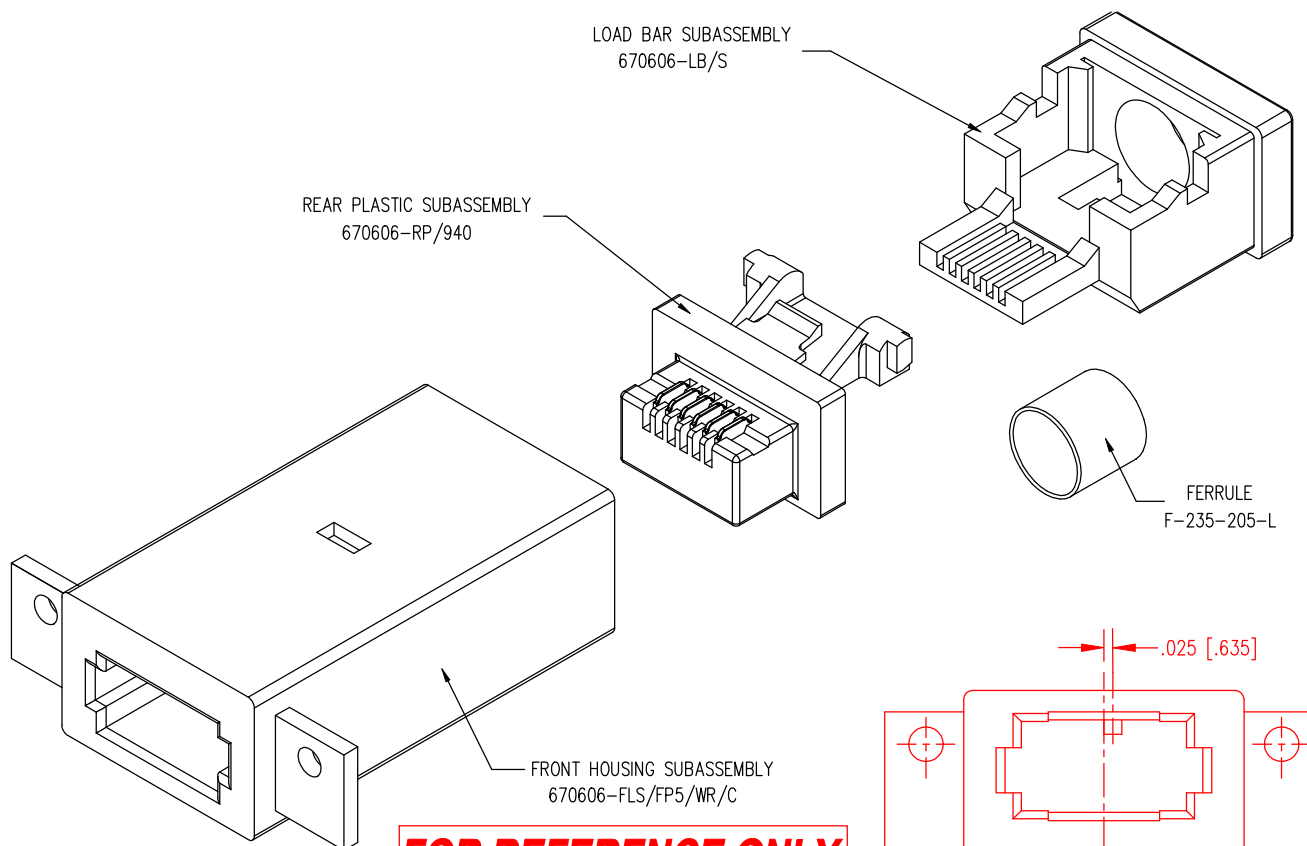
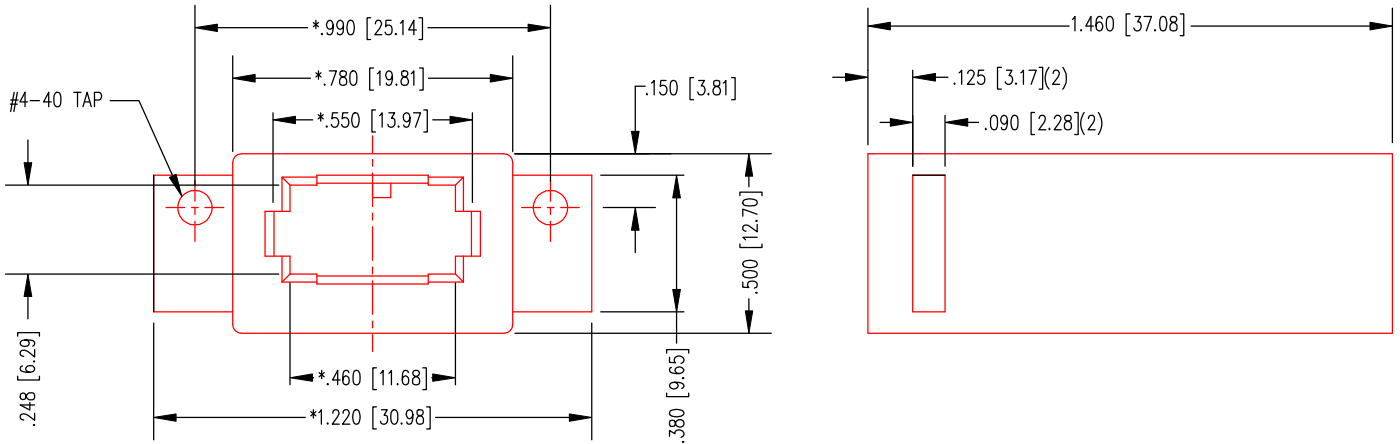




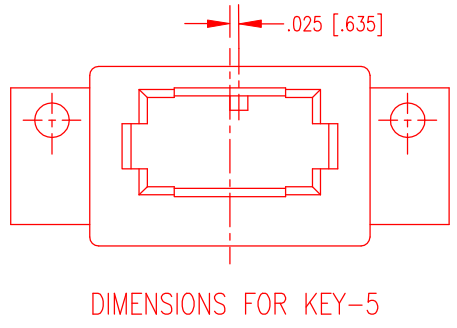
Stewart Connector Systems, Inc.  
 Insilco Technologies Group  
 11118 Susquehanna Trail South  
 Glen Rock, PA 17327-9199  
 (717) 235-7512 Fax: (717) 235-7954

REV.	REVISION CHANGES
A3	ADDED VIEWS FOR INSPECTION CLARITY

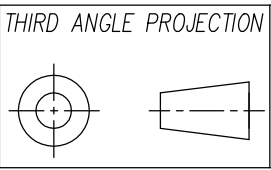
PART NO. SS-670606-FLS-5



**FOR REFERENCE ONLY**



NOTE:  
 1. DIMENSIONS SHOWN ARE FOR PART I.D. AND REFERENCE ONLY.  
 2. DIMENSIONS WITH "\*" TO BE CENTRAL ABOUT CENTER LINE.



THIS DRAWING AND THE SUBJECT MATTER SHOWN THEREON ARE CONFIDENTIAL AND THE PROPRIETARY PROPERTY OF STEWART CONNECTOR SYSTEMS ("SCS") AND SHALL NOT BE REPRODUCED, COPIED OR USED IN ANY MANNER WITHOUT PRIOR WRITTEN CONSENT OF "SCS". THE SUBJECT MATTER MAY BE PATENTED OR A PATENT MAY BE PENDING. © SCS

CT670012

SHT. 1 OF 1