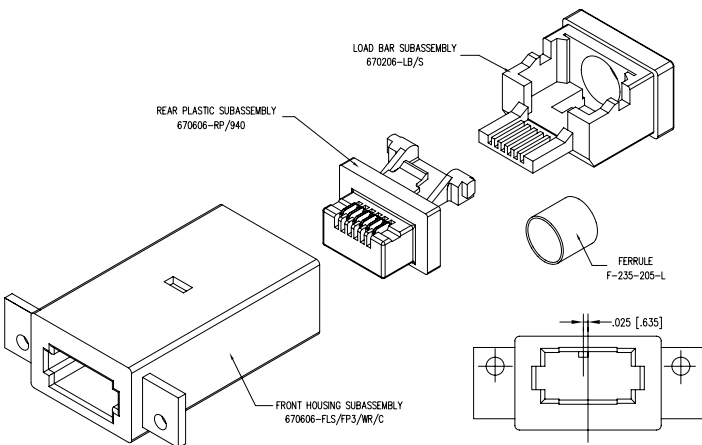
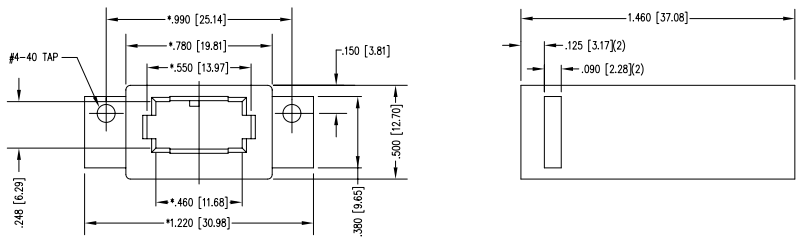


DATE	REV	ECN	APP'D. BY
10-3-02	B5	5595	JAF
8-17-05	B6	7235	DG
1-16-06	B7	7436	JM



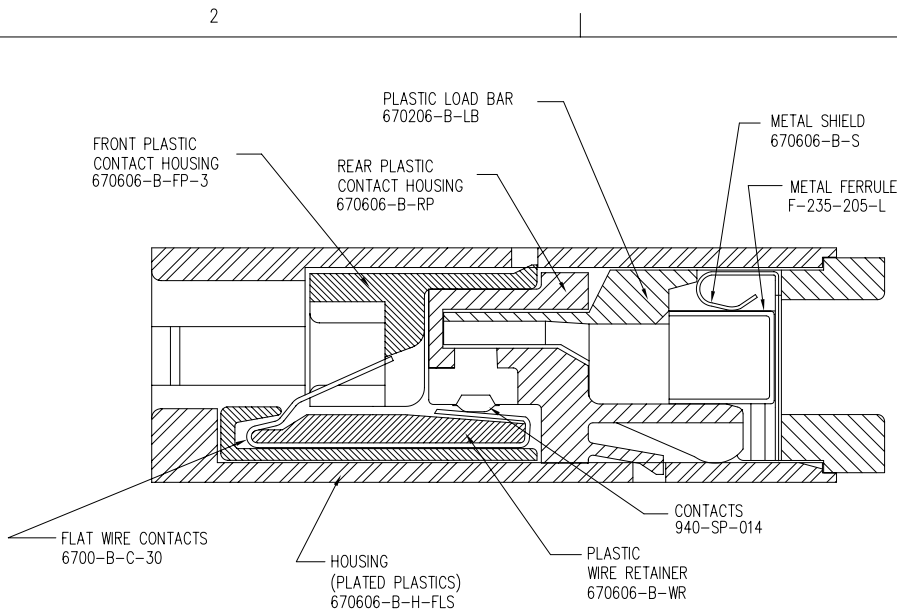
NOTE:
 1. DIMENSIONS SHOWN ARE FOR PART I.D. AND REFERENCE ONLY.
 2. DIMENSIONS WITH "*" TO BE CENTRAL ABOUT CENTER LINE.
 3. -BH DESIGNATES BOTTOM HOUSING IS CHROME PLATED.
 4. ESI DESIGNATES CUSTOMER CODE.
 5. FOR PRODUCT SPECIFICATION SEE PRO22-01

50 MICRO-INCHES [1.27um]	N/A
30 MICRO-INCHES [0.76um]	SS-670606-BH-3ESI
CONTACT PLATING IN MATING AREA	PART NUMBER

THIRD ANGLE PROJECTION		Bel Stewart Connector	
		11118 Susquehanna Trail South Glen Rock, PA 17327-9199 (717) 235-7512 Fax: (717) 235-7954 http://www.stewartconnector.com	
DO NOT SCALE DRAWING DRAWING IS SUBJECT TO CHANGE WITHOUT NOTICE		TITLE: BULK HEAD JACK	
DIMENSIONS: INCHES (METRIC) UNLESS OTHERWISE SPECIFIED TOLERANCES ARE ±.005 [0.13] ANGLES ARE ± 1°		DRN BY: JAF DATE: 8-17-05	DATE: 8-17-05
SHEET NO. 1 OF 2		THIS DRAWING AND THE SUBJECT MATTER SHOWN THEREON ARE CONFIDENTIAL AND THE PROPRIETARY PROPERTY OF BEL STEWART CONNECTOR AND SHALL NOT BE REPRODUCED, COPIED, OR USED IN ANY MANNER WITHOUT PRIOR WRITTEN CONSENT OF BEL STEWART CONNECTOR. THE SUBJECT MATTER MAY BE PATENTED OR A PATENT MAY BE PENDING.	
		APP'D BY: DG DATE: 8-17-05	DWG NO. CT670011 REV B7

REV. 6/3/05

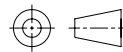
AutoCAD



NOTE:
DIMENSIONS SHOWN ARE FOR PART
I.D. AND REFERENCE ONLY.

50 MICRO-INCHES [1.27um]	N/A
30 MICRO-INCHES [0.76um]	SS-670606-BH-3ESI
CONTACT PLATING IN MATING AREA	PART NUMBER

THIRD ANGLE PROJECTION



Bel Stewart Connector

11118 Susquehanna Trail South
Glen Rock, PA 17327-9199
(717) 235-7512 Fax: (717) 235-7954 <http://www.stewartconnector.com>

DO NOT SCALE DRAWING
DRAWING IS SUBJECT TO
CHANGE WITHOUT NOTICE

TITLE:
BULK HEAD JACK

DIMENSIONS: INCHES (METRIC)
UNLESS OTHERWISE SPECIFIED
TOLERANCES ARE ±.005 [0.13]
ANGLES ARE ± 1°

THIS DRAWING AND THE SUBJECT MATTER SHOWN THEREON
ARE CONFIDENTIAL AND THE PROPRIETARY PROPERTY OF
BEL STEWART CONNECTOR AND SHALL NOT BE REPRODUCED,
COPIED, OR USED IN ANY MANNER WITHOUT PRIOR WRITTEN
CONSENT OF BEL STEWART CONNECTOR. THE SUBJECT
MATTER MAY BE PATENTED OR A PATENT MAY BE PENDING.

DRN BY:	JAF	DATE:	8-17-05
APPD BY:	DG	DATE:	8-17-05
DWG NO.:	CT670011	REV:	B7

SHEET NO. 2 OF 2

AutoCAD

REV. 6/3/05