

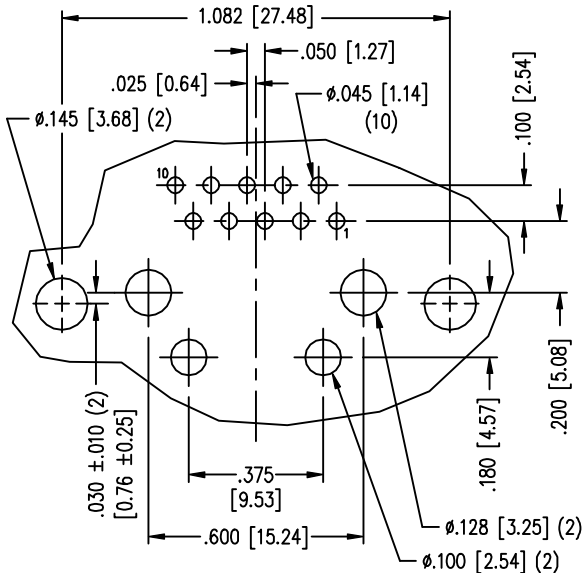
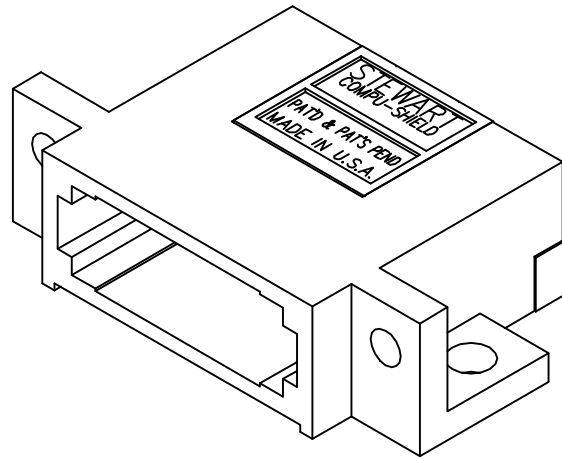
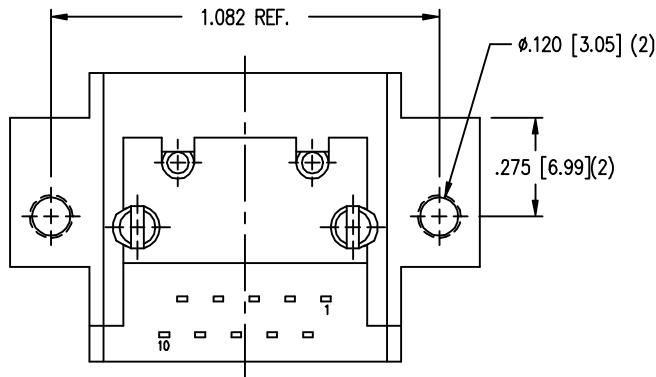
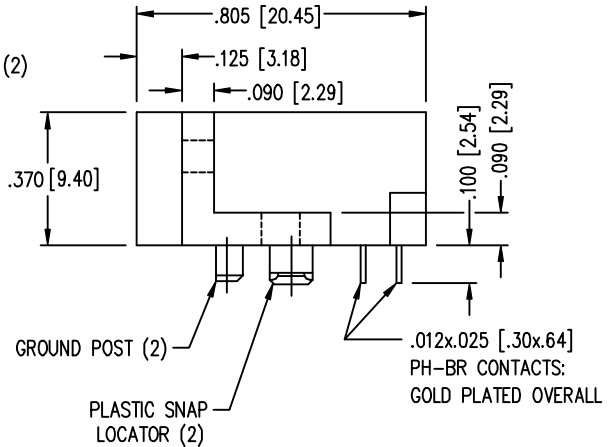
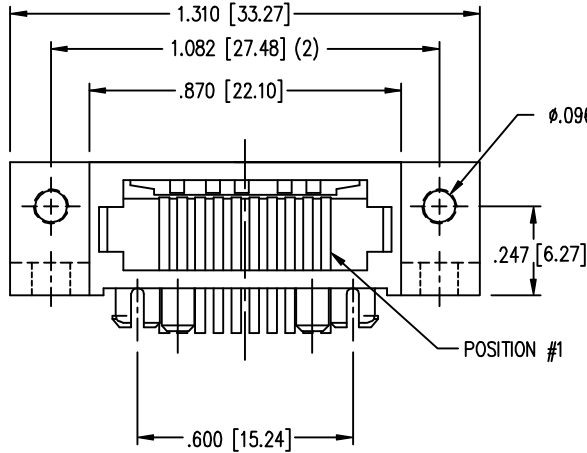


Stewart Connector Systems, Inc.
Insilco Technologies Group
 11118 Susquehanna Trail South
 Glen Rock, PA 17327-9199
 (717) 235-7512 Fax: (717) 235-7954

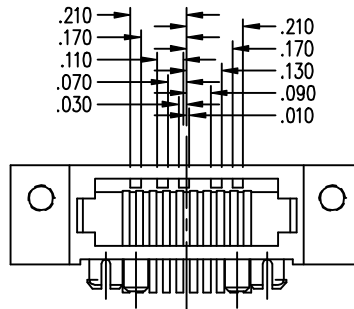
REV.	REVISION CHANGES
A3	NEW FORMAT/CORRECTIONS TO PRINT
A4	ADDED DIM.S FOR CLARIFICATION.

PART NO. SS-611010-LF-P-26-4/6

FOR REFERENCE ONLY



PC BOARD TOP VIEW

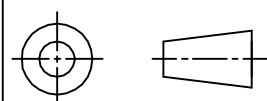


DIMENSIONS FOR KEY-26

NOTES:

- 1.) DIMENSIONS SHOWN ARE FOR PART ID AND REFERENCE ONLY, TOLERANCES ARE ±.003 [.076].
- 2.) "4/6" INCLUDED IN PART NO. INDICATES #4-40 TAP ON .096Ø HOLES AND #6-32 TAP ON .120Ø HOLES.

THIRD ANGLE PROJECTION



THIS DRAWING AND THE SUBJECT MATTER SHOWN THEREON ARE CONFIDENTIAL AND THE PROPRIETARY PROPERTY OF STEWART CONNECTOR SYSTEMS ("SCS") AND SHALL NOT BE REPRODUCED, COPIED OR USED IN ANY MANNER WITHOUT PRIOR WRITTEN CONSENT OF "SCS". THE SUBJECT MATTER MAY BE PATENTED OR A PATENT MAY BE PENDING. © SCS