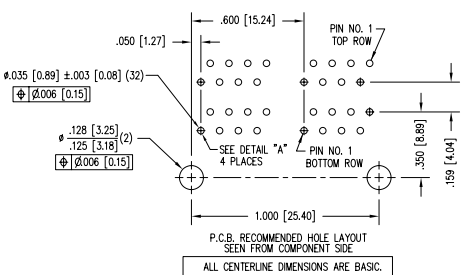
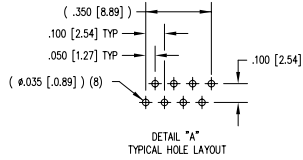
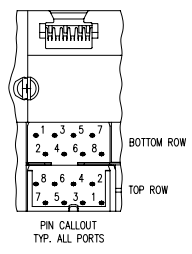
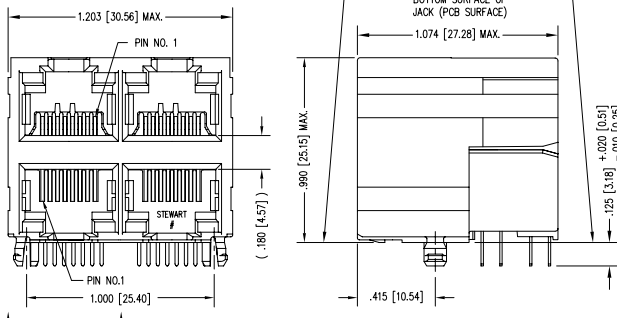


DATE	REV	ECN	APP'D. BY
2/3/06	A1	7458	JM
4/11/06	A2	7580	TRM



- NOTES:
- CONNECTOR MATERIALS:  
HOUSING: THERMOPLASTIC UL94 V-0  
CONTACTS: COPPER ALLOY  
CONTACT PLATING: SELECTIVE GOLD IN CONTACT AREA  
SEE CHART FOR PART NUMBER
  - FOR PRODUCT SPECIFICATIONS SEE PRO22-01.
  - DIMENSIONS AND TOLERANCES COMPLY WITH FCC/CFR 47, PART 68.

50 MICRO-INCHES [1.27um]	SS-7388H22-NF-50
CONTACT PLATING IN MATING AREA	PART NUMBER

<b>THIRD ANGLE PROJECTION</b> 		<b>Bel Stewart Connector</b> 11118 Susquehanna Trail South Glen Rock, PA 17327-9199 (717) 235-7512 Fax: (717) 235-7954 <a href="http://www.stewartconnector.com">http://www.stewartconnector.com</a>	
DO NOT SCALE DRAWING DRAWING IS SUBJECT TO CHANGE WITHOUT NOTICE DIMENSIONS: INCHES (METRIC) UNLESS OTHERWISE SPECIFIED TOLERANCES ARE ±.005 [0.13] ANGLES ARE ± 1°		<b>TITLE:</b> EIGHT CONTACT, EIGHT POSITION UNSHIELDED STACKED HARMONICA JACK, 4 PORTS (2 ON 2)	
THIS DRAWING AND THE SUBJECT MATTER SHOWN THEREON ARE CONFIDENTIAL AND THE PROPRIETARY PROPERTY OF BEL STEWART CONNECTOR AND SHALL NOT BE REPRODUCED, COPIED, OR USED IN ANY MANNER WITHOUT PRIOR WRITTEN CONSENT OF BEL STEWART CONNECTOR. THE SUBJECT MATTER MAY BE PATENTED OR A PATENT MAY BE PENDING.		DRN BY: DB APP'D BY: TM DWG NO.: CT730103	DATE: 8-21-98 DATE: 8-21-98 REV: A2
SHEET NO. 1 OF 1		AutoCAD	



REV. 6/2/05