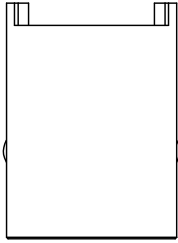
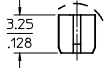
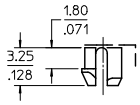
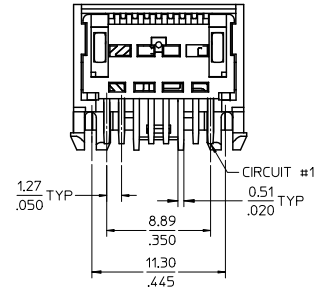
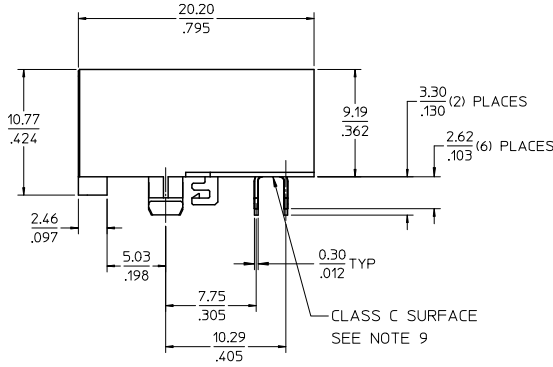
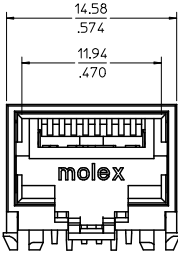
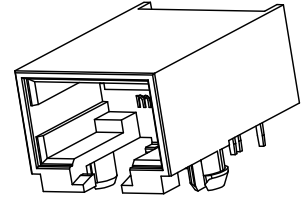


13 12 11 10 9 8 7 6 5 4 3 2 1



- NOTES:  
 1) MATERIAL:  
 HOUSING: NYLON(PA), GLASS FILLED, UL94V-0, COLOR: BLACK  
 TERMINALS: PHOSPHOR BRONZE  
 2) FINISH:  
 TERMINALS:  
 SELECT GOLD IN CONTACT AREA: 1.27 MICROMETERS / 50 MICROINCHES MIN.  
 SELECT MATTE TIN IN PC TAIL AREA: 2.54 MICROMETERS / 100 MICROINCHES MIN.  
 WITH OVERALL NICKEL UNDERPLATE: 1.27 MICROMETERS / 50 MICROINCHES MIN.  
 3) PRODUCT SPECIFICATION AND PROCESSING PARAMETERS: PS-44560-003.  
 4) PACKAGING SPECIFICATION:  
 CONNECTOR PACKAGED IN TRAYS PER MOLEX PACKAGING SPECIFICATION  
 PK-44661-004.  
 5) CONFORMS TO FCC REGULATION PART 68.5 FOR MODULAR JACKS.  
 6) SEE SHEET (4) OF (4) FOR RECOMMENDED PANEL OPENING AND PCB LAYOUT.  
 7) ASSEMBLY AVAILABLE WITH EITHER SNAP-FIT OR PRESS-FIT PEGS. THIS  
 DRAWING SHOWS SNAP-FIT PEGS.  
 8) TERMINAL LENGTHS MAY BE DIFFERENT FROM TERMINAL TO TERMINAL.  
 9) THIS PART CONFORMS TO CLASS B REQUIREMENTS OF COSMETIC  
 SPECIFICATION PS-45499-002 WITH THE EXCEPTION OF THE SURFACE  
 INDICATED, WHICH IS A CLASS C SURFACE.  
 10) THIS PRODUCT IS COMPLIANT TO RoHS DIRECTIVE 2002/95/EC AND ELV  
 ANNEX II OF DIRECTIVE 2000/53/EC.



SNAP-FIT PEG

PRESS-FIT PEG

ASSEMBLY MATERIAL NUMBER	PEG STYLE
446610002	SNAP-FIT
446611002	PRESS-FIT

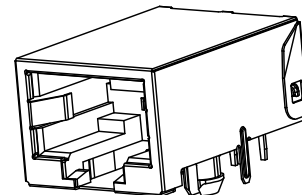
UPDATE NOTES EC NO. UCP2009-2791 DRAWN: JRELL 2009/07/06 CHKD: RKP 2009/07/22 APPR: SMITH 2009/07/23	QUALITY SYMBOLS ▽=0 ▽=0	GENERAL TOLERANCES (UNLESS SPECIFIED)		DIMENSION STYLE MM/IN		SCALE 4:1	DESIGN UNITS INCH	THIRD ANGLE PROJECTION	
		4 PLACES ± .012 3 PLACES ± .012 2 PLACES ± 0.30 1 PLACE ± .012	mm INCH	DRAWN BY MKAMAR	DATE 00/04/07	TITLE COMPACT SINGLE PORT CATEGORY 5E MODJACK			
		ANGULAR ± 1/2°		CHECKED BY MKAMAR	DATE 00/04/07	APPROVED BY JROBERTS			
		DRAFT WHERE APPLICABLE MUST REMAIN WITHIN DIMENSIONS	SEE CHART	MATERIAL NO. SD-44661-001	DOCUMENT NO. SD-44661-001	SHEET NO. 1 OF 4			

12 11 10 9 8 7 6 5 4 3 2 1

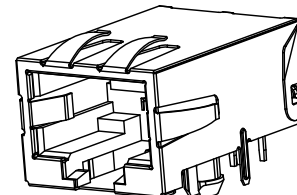
13 12 11 10 9 8 7 6 5 4 3 2 1

**NOTES:**

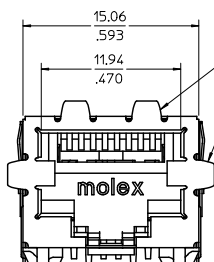
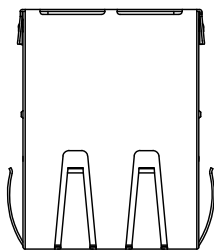
- 1) MATERIAL:  
HOUSING: NYLON(PA), GLASS FILLED, UL94V-0, COLOR: BLACK  
TERMINALS: PHOSPHOR BRONZE  
SHIELD: BRASS, 0.18 / .007 THICK
- 2) FINISH:  
TERMINALS:  
SELECT GOLD IN CONTACT AREA: 127 MICROMETERS / 50 MICROINCHES MIN.  
SELECT MATTE TIN IN PC TAIL AREA: 2.54 MICROMETERS / 100 MICROINCHES MIN.  
WITH OVERALL NICKEL UNDERPLATE: 127 MICROMETERS / 50 MICROINCHES MIN.  
SHIELD:  
2.54 MICROMETERS / 100 MICROINCHES NICKEL OVER 127 MICROMETERS / 50 MICROINCHES COPPER UNDERPLATE, PCB GROUND TABS DIPPED IN TIN
- 3) PRODUCT SPECIFICATION AND PROCESSING PARAMETERS: PS-44560-003.
- 4) PACKAGING SPECIFICATION:  
CONNECTOR PACKAGED IN TRAYS PER MOLEX PACKAGING SPECIFICATION PK-44661-004.
- 5) CONFORMS TO FCC REGULATION PART 68.5 FOR MODULAR JACKS.
- 6) ENHANCED GROUND TABS SHIELD (OPTION -B-) IS SHOWN IN THIS DRAWING.
- 7) SEE SHEET (4) OF (4) FOR RECOMMENDED PANEL OPENING AND PCB LAYOUT.
- 8) ASSEMBLY AVAILABLE WITH EITHER SNAP-FIT OR PRESS-FIT PEGS. THIS DRAWING SHOWS SNAP-FIT PEGS.
- 9) TERMINAL LENGTHS MAY BE DIFFERENT FROM TERMINAL TO TERMINAL.
- 10) THIS PART CONFORMS TO CLASS B REQUIREMENTS OF COSMETIC SPECIFICATION PS-45499-002 WITH THE EXCEPTION OF THE SURFACE INDICATED, WHICH IS A CLASS C SURFACE.
- 11) THIS PRODUCT IS COMPLIANT TO ROHS DIRECTIVE 2002/95/EC AND ELV ANNEX II OF DIRECTIVE 2000/53/EC.



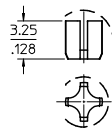
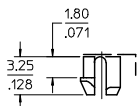
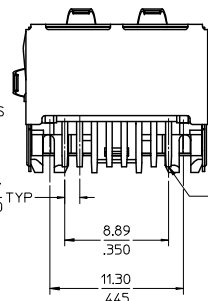
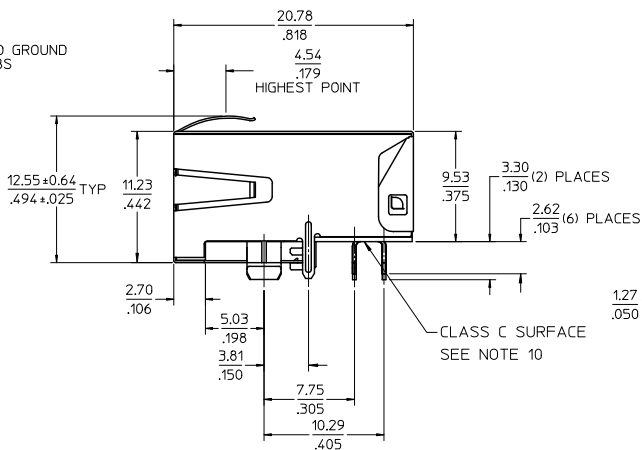
SHIELDING OPTION -A-  
STANDARD SHIELD



SHIELDING OPTION -B-  
ENHANCED GROUND TABS



ENHANCED GROUND TABS



SNAP-FIT PEG

PRESS-FIT PEG

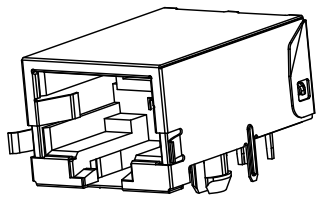
ASSEMBLY MATERIAL NUMBER	PEG STYLE	SHIELDING OPTION
446610001	SNAP-FIT	A
446610011	SNAP-FIT	B
446611001	PRESS-FIT	A
446611011	PRESS-FIT	B

<b>UPDATE NOTES</b> EC NO: UCP2003-2791 DRAWN: BELL 2009/07/06 CHKD: RKP 2009/07/22 APPR: F. SMITH 2009/07/23	<b>QUALITY SYMBOLS</b> ▽=0 ▽=0	<b>GENERAL TOLERANCES (UNLESS SPECIFIED)</b>		DIMENSION STYLE MM/IN	SCALE 4:1	DESIGN UNITS INCH	THIRD ANGLE PROJECTION		
		4 PLACES ± .010 ± .010 3 PLACES ± .010 ± .010 2 PLACES ± 0.30 ± .010 1 PLACE ± .010 ± .010	mm INCH	DRAWN BY MKAMAR	DATE 00/04/07	TITLE COMPACT SINGLE PORT CATEGORY 5E MODJACK			
		ANGULAR ± 1/2°	DRAFT WHERE APPLICABLE MUST REMAIN WITHIN DIMENSIONS	CHECKED BY MKAMAR	DATE 00/04/07	APPROVED BY JROBERTS			
		SEE CHART	MATERIAL NO. SD-44661-001	MOLEX INCORPORATED		DOCUMENT NO. SD-44661-001	SHEET NO. 2 OF 4		

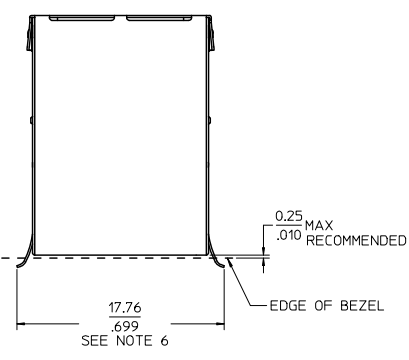
12 11 10 9 8 7 6 5 4 3 2 1

13 12 11 10 9 8 7 6 5 4 3 2 1

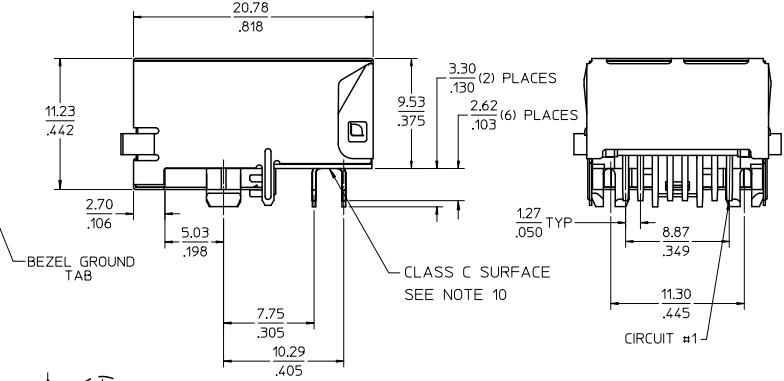
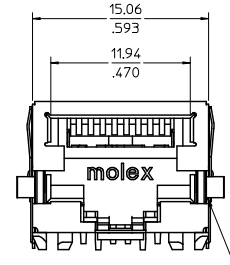
- NOTES:  
 1) MATERIAL:  
 HOUSING: NYLON (PA), GLASS FILLED, UL94V-0, COLOR: BLACK  
 TERMINALS: PHOSPHOR BRONZE  
 SHIELD: BRASS, 0.18 / .007 THICK  
 2) FINISH:  
 TERMINALS:  
 SELECT GOLD IN CONTACT AREA: 1.27 MICROMETERS / 50 MICROINCHES MIN.,  
 SELECT MATTE TIN IN PC TAIL AREA: 2.54 MICROMETERS / 100 MICROINCHES MIN.,  
 WITH OVERALL NICKEL UNDERPLATE: 1.27 MICROMETERS / 50 MICROINCHES MIN.  
 SHIELD:  
 2.54 MICROMETERS / 100 MICROINCHES NICKEL OVER 1.27 MICROMETERS /  
 50 MICROINCHES COPPER UNDERPLATE, PCB GROUND TABS DIPPED IN TIN.  
 3) PRODUCT SPECIFICATION AND PROCESSING PARAMETERS: PS-44560-003.  
 4) PACKAGING SPECIFICATION:  
 CONNECTOR PACKAGED IN TRAYS PER MOLEX PACKAGING  
 SPECIFICATION PK-44661-004.  
 5) CONFORMS TO FCC REGULATION PART 68.5 FOR MODULAR JACKS.  
 6) THIS DIMENSION HAS A MAXIMUM OF 20.45/0.805 WHEN THE JACK IS INSTALLED  
 BEHIND THE BEZEL.  
 7) SEE SHEET (4) OF (4) FOR PCB LAYOUT.  
 8) ASSEMBLY AVAILABLE WITH EITHER SNAP-FIT OR PRESS-FIT PEGS. THIS  
 DRAWING SHOWS SNAP-FIT PEGS.  
 9) TERMINAL LENGTHS MAY BE DIFFERENT FROM TERMINAL TO TERMINAL.  
 10) THIS PART CONFORMS TO CLASS B REQUIREMENTS OF COSMETIC  
 SPECIFICATION PS-45499-002 WITH THE EXCEPTION OF THE SURFACE  
 INDICATED, WHICH IS A CLASS C SURFACE.  
 11) THIS PRODUCT IS COMPLIANT TO RoHS DIRECTIVE 2002/95/EC AND ELV  
 ANNEX II OF DIRECTIVE 2000/53/EC.



SHIELDING OPTION -C-  
BEZEL GROUND TABS

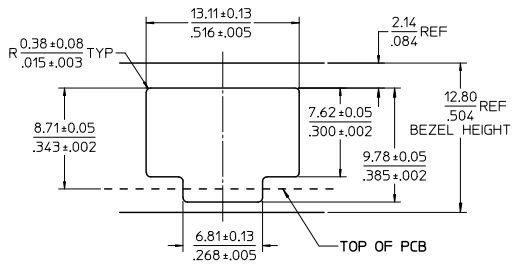


SEE NOTE 6

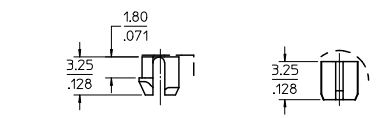


CLASS C SURFACE  
SEE NOTE 10

CIRCUIT #1



RECOMMENDED  
PANEL OPENING  
FOR PMC BEZEL ONLY



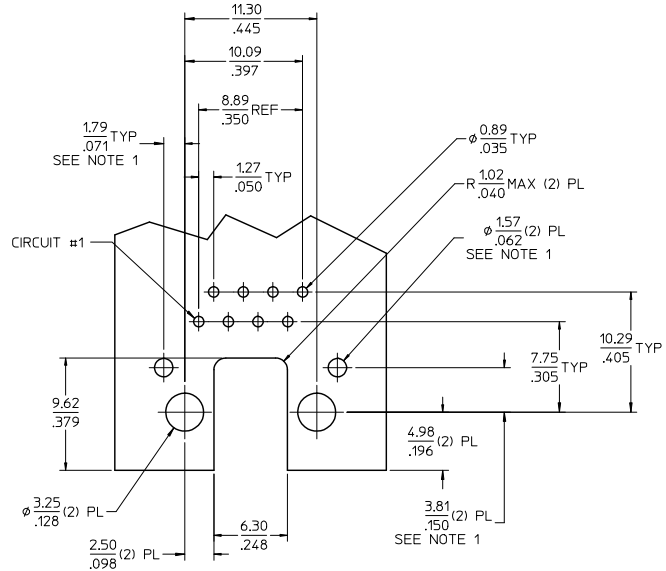
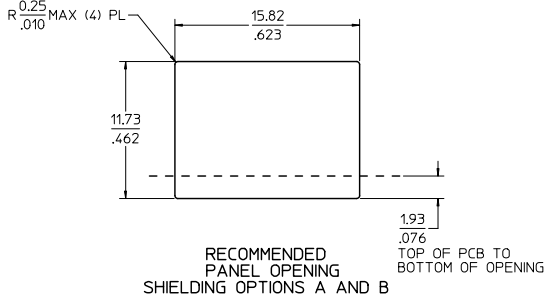
SNAP-FIT PEG PRESS-FIT PEG

ASSEMBLY MATERIAL NUMBER	PEG STYLE
446610021	SNAP-FIT
446611021	PRESS-FIT

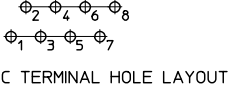
UPDATE NOTES	QUALITY SYMBOLS	GENERAL TOLERANCES (UNLESS SPECIFIED)		DIMENSION STYLE		SCALE	DESIGN UNITS	THIRD ANGLE PROJECTION
		mm	INCH	MM/IN	MM/IN			
EC NO. UCP2008-2791	▽=0	4 PLACES ± .012	± .012	DRAWN BY	DATE	4:1	INCH	COMPACT SINGLE PORT CATEGORY 5E MODJACK
DRWN:JBELL	▽=0	3 PLACES ± .030	± .030	MKAMAR	00/04/07			
CHKD:KIPPER		2 PLACES ± .030	± .030	CHECKED BY	DATE	MOLEX INCORPORATED		
APPR:SMITH		1 PLACE ± .030	± .030	MKAMAR	00/04/07			
REV		ANGULAR ± 1/2°		APPROVED BY	DATE	MATERIAL NO.		SD-44661-001
G2		DRAFT WHERE APPLICABLE MUST REMAIN WITHIN DIMENSIONS		JROBERTS	00/04/07	DOCUMENT NO.		SHEET NO. 3 OF 4

1b\_frame\_C\_P\_AM\_T Rev. D 2004/06/28 12 11 10 9 8 7 6 5 4 3 2 1

13 12 11 10 9 8 7 6 5 4 3 2 1



PCB LAYOUT : COMPONENT SIDE  
 RECOMMENDED PCB THICKNESS (SNAP-FIT PEG) : 1.57/.062  
 TOLERANCE  $\pm .076 / .003$  UNLESS OTHERWISE SPECIFIED



NOTES:  
 1. DIMENSIONS REFER TO ASSEMBLIES WITH SHIELDING OPTION

EC NO.: UEP2009-2791 DRAWN BY: JUBELL CHECKED BY: CHADWICK APPR: SMITH DATE: 2009/07/06 DATE: 2009/07/22 DATE: 2009/07/23	QUALITY SYMBOLS ▽=0 ▽=0	GENERAL TOLERANCES (UNLESS SPECIFIED)		DIMENSION STYLE MM/IN		SCALE 4:1	DESIGN UNITS INCH	THIRD ANGLE PROJECTION
		4 PLACES ± --- ± --- 3 PLACES ± --- ± .012 2 PLACES ± 0.30 ± --- 1 PLACE ± --- ± --- ANGULAR ± 1/2°	mm INCH	DRAWN BY MKAMAR	DATE 00/04/07	TITLE COMPACT SINGLE PORT CATEGORY 5E MODJACK		
G2	DESCRIPTION REV	DRAFT WHERE APPLICABLE MUST REMAIN WITHIN DIMENSIONS		APPROVED BY JROBERTS	DATE 00/04/07	MOLEX INCORPORATED		
		MATERIAL NO. N/A		DOCUMENT NO. SD-44661-001		SHEET NO. 4 OF 4		

1b\_frame\_C\_P\_AM\_T Rev. D 2004/06/28 12 11 10 9 8 7 6 5 4 3 2 1