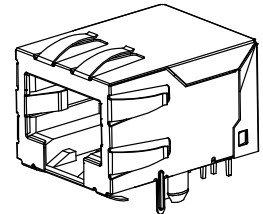


- NOTES:
- MATERIAL:
    - HOUSING: NYLON(IPA), GLASS FILLED, UL94V-0, COLOR: SEE SHEETS 5 AND 6
    - INSULATOR: NYLON(IPA), GLASS FILLED, UL94V-0, COLOR: SEE SHEETS 5 AND 6
    - TERMINALS: PHOSPHOR BRONZE, .012/ 0.30 THICK
    - SHIELD: BRASS, .007/ 0.18 THICK
  - FINISH:
    - TERMINALS:
      - A = SELECT GOLD IN CONTACT AREA: 50 MICROINCHES / 1.27 MICROMETERS MIN., \*SELECT TIN IN PC TAIL AREA: 100 MICROINCHES / 2.54 MICROMETERS MIN., WITH OVERALL NICKEL UNDERPLATE: 50 MICROINCHES / 1.27 MICROMETERS MIN.
      - B = SELECT GOLD IN CONTACT AREA: 30 MICROINCHES / 0.76 MICROMETERS MIN., \*SELECT TIN IN PC TAIL AREA: 100 MICROINCHES / 2.54 MICROMETERS MIN., WITH OVERALL NICKEL UNDERPLATE: 50 MICROINCHES / 1.27 MICROMETERS MIN. \*THE PRIMARY SHIPPING CARTON WILL BE LABELED "COMPLIANT TO RoHS DIRECTIVE 2002/95/EC AND ELV ANNEX II OF DIRECTIVE 2000/53/EC". CARTONS WITHOUT THIS LABEL MAY CONTAIN PRODUCT WITH TIN-LEAD IN THE PC TAILS AND/OR SHIELD.
    - SHIELD: 100 MICROINCHES / 2.54 MICROMETERS NICKEL OVER 50 MICROINCHES / 1.27 MICROMETERS COPPER UNDERPLATE PCB GROUND TABS DIPPED IN TIN
  - PRODUCT SPECIFICATION AND PROCESSING PARAMETERS: PS-43202.
  - PACKAGING SPECIFICATION:
    - UNSHIELDED CONNECTOR ASSEMBLIES PACKAGED IN THERMOFORMED TRAYS PER MOLEX PACKAGING SPECIFICATION PK-43202-003.
    - UNSHIELDED CONNECTOR ASSEMBLIES PACKAGED IN TUBES PER MOLEX PACKAGING SPECIFICATION PK-43202-005.
    - SHIELDED CONNECTOR ASSEMBLIES PACKAGED IN THERMOFORMED TRAYS PER MOLEX PACKAGING SPECIFICATION PK-43202-004.
  - SEE SHEETS 7 - 9 FOR P.C. BOARD LAYOUTS.
  - CONFORMS TO FCC REGULATION PART 68.5 FOR MODULAR JACKS.
  - THIS PART CONFORMS TO CLASS B REQUIREMENTS OF COSMETIC SPECIFICATION PS-45499-002.



SHIELDED MODULAR JACK SHOWN WITH PANEL GROUND OPTION 'D' AND FRONT PCB GROUND TABS.

9	L2
8	L2
7	L2
6	L4
5	L
4	K2
3	L1
2	L1
1	L4
SH REV	

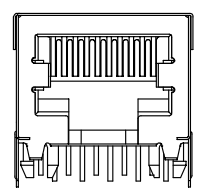
### DRAWING LEGEND

- SHEET 1- NOTES, DRAWING LEGEND
- SHEET 2- SHIELDED MODULAR JACK W/ BOTTOM GROUND TABS
- SHEET 3- SHIELDED MODULAR JACK W/O BOTTOM GROUND TABS
- SHEET 4- UNSHIELDED MODULAR JACK
- SHEET 5- PART NUMBER CHARTS
- SHEET 6- PART NUMBER CHARTS
- SHEET 7- FOOTPRINT LAYOUT FOR 4 POSITION HOUSING
- SHEET 8- FOOTPRINT LAYOUT FOR 6 POSITION HOUSING
- SHEET 9- FOOTPRINT LAYOUT FOR 8 POSITION HOUSING

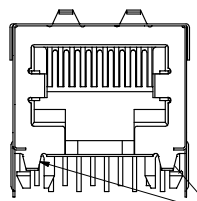
OBS COLORED JACKS EC NO: UCP2008-1169 DRAWN: BELL 2007/11/30 CHKD: SCHEIDT 2008/02/20 APPR: ESMITH 2008/03/04	QUALITY SYMBOLS ▽=0 ▽=0	GENERAL TOLERANCES (UNLESS SPECIFIED):		DIMENSION STYLE IN/MM		SCALE 4:1	DESIGN UNITS INCH	THIRD ANGLE PROJECTION
		4 PLACES ± --- ± ---	3 PLACES ± --- ± .010	2 PLACES ± 0.25 ± .014	1 PLACE ± 0.36 ± ---	ANGULAR ± 1/2°	DRAWN BY JTR DATE 1993/03/31	CHECKED BY JTR DATE 1993/03/31
DRAFT WHERE APPLICABLE MUST REMAIN WITHIN DIMENSIONS		MATERIAL NO. SEE SHTS 5&6		DOCUMENT NO. SDA-43202		MOLEX INCORPORATED		SHEET NO. 1 OF 9
THIS DRAWING CONTAINS INFORMATION THAT IS PROPRIETARY TO MOLEX INCORPORATED AND SHOULD NOT BE USED WITHOUT WRITTEN PERMISSION								

**SHIELDED MODULAR JACK W/BOTTOM GROUND TABS**  
 SIZE 8 LOADED 10 VERSION SHOWN

**SIDE/TOP GROUND TAB OPTIONS FOR SHIELDS**



**OPTION "A"**  
NO TOP OR SIDE TABS

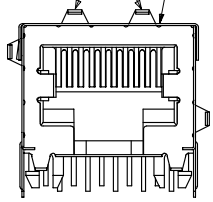


**OPTION "B"**  
TOP TABS

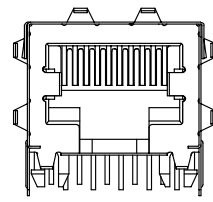
BOTTOM GROUND TABS

OPTIONAL TOP GROUND TABS

SHIELDED MODULAR JACK ASSEMBLY  
SEE SHEET 5 FOR MATERIAL NO.

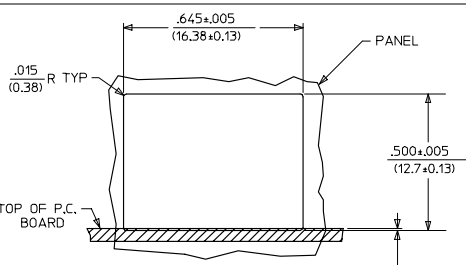
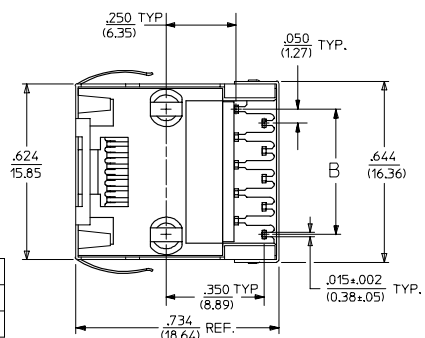
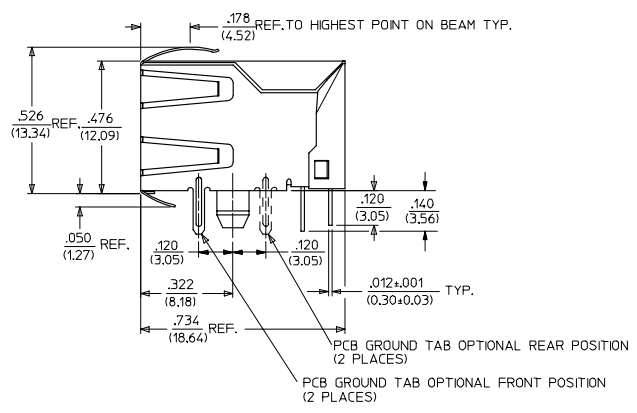


**OPTION "C"**  
TOP AND STAGGERED SIDE TABS



**OPTION "D"**  
TOP AND SIDE TABS

OPTIONAL SIDE GROUND TABS (2 PLACES)



**PANEL CUT-OUT**  
(SHIELDED W/BOTTOM GROUND TABS)

HOUSING SIZE	CIRCUIT SIZE	B
8	10	.450+.005 11.43±.13
8	8	.350+.005 8.89±.13

SEE SHEET ONE EC NO. UCP2004-1888 DRAWN: SCHMIDT 2004/03/31 CHECKED: SCHMIDT 2004/03/31 APPR: F. SMITH 2004/03/31	QUALITY SYMBOLS	GENERAL TOLERANCES (UNLESS SPECIFIED)	SCALE 4:1	DESIGN UNITS INCH	THIRD ANGLE PROJECTION	REVISE ON CAD ONLY	
	0 0	4 PLACES ± --- ± --- 3 PLACES ± --- ± .010 2 PLACES ± 0.25 ± .014 1 PLACE ± 0.36 ± --- ANGULAR ±1/2°	DIMENSION STYLE IN/MM DRAWN BY JTR DATE 1993/03/31 CHECKED BY JTR DATE 1993/03/31 APPROVED BY RAS DATE 1993/03/31	TITLE	ULTRA LOW PROFILE RIGHT ANGLE MODULAR JACK ASSEMBLY		
	DRAFT WHERE APPLICABLE	MUST REMAIN WITHIN DIMENSIONS	MOLEX INCORPORATED MATERIAL NO. SEE SHT 5 DOCUMENT NO. SDA-43202 SHEET NO. 2 OF 9				
	THIS DRAWING CONTAINS INFORMATION THAT IS PROPRIETARY TO MOLEX INCORPORATED AND SHOULD NOT BE USED WITHOUT WRITTEN PERMISSION						

	13	12	11	10	9	8	7	6	5	4	3	2	43202
	SHIELDED MODULAR JACKS W/BOTTOM GROUND TABS (SHEET 2)												
J	ASSEMBLY MATERIAL NUMBER	CONNECTOR SIZE	NUMBER OF CIRCUITS	SIDE/TOP PANEL GROUND TAB OPTION	PCB GROUND TAB OPTION	TERMINAL PLATING OPTION	PACKAGING OPTION	HOUSING COLOR					
I	43202-8900	8	10	A	FRONT POSITION	A	TRAY	BLACK					
	43202-8901	8	10	B	FRONT POSITION	A	TRAY						
	43202-8902	8	10	C	FRONT POSITION	A	TRAY						
	43202-8903	8	10	D	FRONT POSITION	A	TRAY						
	43202-8908	8	10	A	REAR POSITION	A	TRAY						
	43202-8909	8	10	B	REAR POSITION	A	TRAY						
	43202-8910	8	10	C	REAR POSITION	A	TRAY						
	43202-8911	8	10	D	REAR POSITION	A	TRAY						
H	43202-8916	8	8	A	FRONT POSITION	A	TRAY						
	43202-8917	8	8	B	FRONT POSITION	A	TRAY						
	43202-8918	8	8	C	FRONT POSITION	A	TRAY						
	43202-8919	8	8	D	FRONT POSITION	A	TRAY						
	43202-8924	8	8	A	REAR POSITION	A	TRAY						
	43202-8925	8	8	B	REAR POSITION	A	TRAY						
G	43202-8926	8	8	C	REAR POSITION	A	TRAY						
	43202-8927	8	8	D	REAR POSITION	A	TRAY						
F													
E													
D													
C													
B													
A													
	12	11	10	9	8	7	6	5	4	3	2	1	

SEE SHEET 1 EC NO. UCP2004-1347 DRWN: NKANARAO004/02/09 CHKD: NKANARAO04/02/09 APPR: BMRKUS - 2004/02/10	QUALITY SYMBOLS	GENERAL TOLERANCES (UNLESS SPECIFIED)	SCALE 4:1	DESIGN UNITS INCH	THIRD ANGLE PROJECTION	REVISE ON CAD ONLY															
	▽ - 0	<table border="1"> <tr> <th></th> <th>mm</th> <th>INCH</th> </tr> <tr> <td>4 PLACES</td> <td>± .005</td> <td>± .0004</td> </tr> <tr> <td>3 PLACES</td> <td>± .008</td> <td>± .0005</td> </tr> <tr> <td>2 PLACES</td> <td>± .015</td> <td>± .0010</td> </tr> <tr> <td>1 PLACE</td> <td>± .030</td> <td>± .0020</td> </tr> </table>		mm	INCH	4 PLACES	± .005	± .0004	3 PLACES	± .008	± .0005	2 PLACES	± .015	± .0010	1 PLACE	± .030	± .0020	DIMENSION STYLE IN/MM	TITLE	ULTRA LOW PROFILE RIGHT ANGLE MODULAR JACK ASSEMBLY	
		mm	INCH																		
	4 PLACES	± .005	± .0004																		
3 PLACES	± .008	± .0005																			
2 PLACES	± .015	± .0010																			
1 PLACE	± .030	± .0020																			
▽ - 0	ANGULAR ±1/2°	DRAFT WHERE APPLICABLE	DRAWN BY JTR	DATE 1993/03/18	Molex MOLEX INCORPORATED																
	MUST REMAIN WITHIN DIMENSIONS	APPROVED BY RAS	DATE 1993/03/18	MATERIAL NO. SEE CHART	DOCUMENT NO. SDA-43202	SHEET NO. 5 OF 9															
THIS DRAWING CONTAINS INFORMATION THAT IS PROPRIETARY TO MOLEX INCORPORATED AND SHOULD NOT BE USED WITHOUT WRITTEN PERMISSION																					

13

12

11

10

9

8

7

6

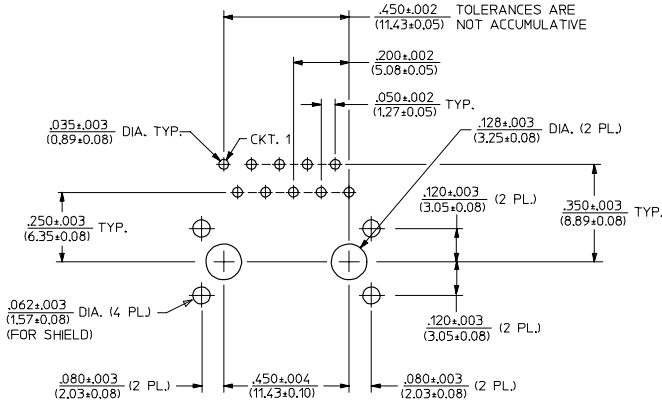
5

4

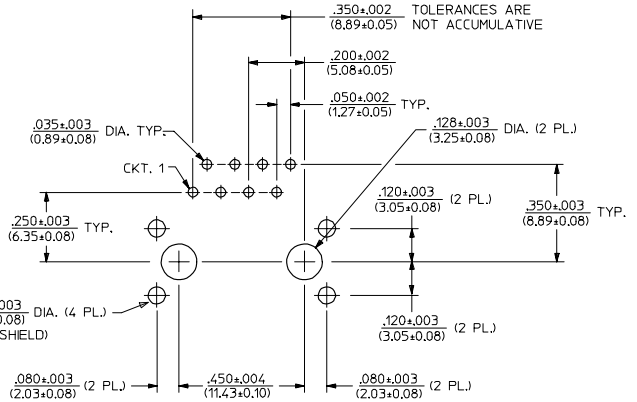
3

2

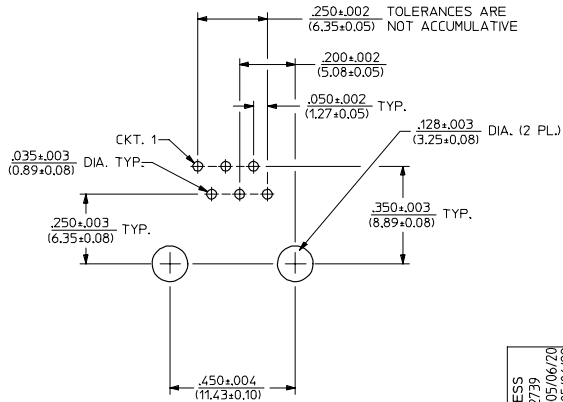
43202



PC BOARD LAYOUT FOR 8 POSITION HOUSING  
(10 CIRCUIT FOOTPRINT SHOWN)  
(COMPONENT SIDE OF BOARD)



PC BOARD LAYOUT FOR 8 POSITION HOUSING  
(8 CIRCUIT FOOTPRINT SHOWN)  
(COMPONENT SIDE OF BOARD)



PC BOARD LAYOUT FOR 8 POSITION HOUSING  
(16 CIRCUIT FOOTPRINT SHOWN)  
(COMPONENT SIDE OF BOARD)

NOTES:  
1. RECOMMENDED PCB THICKNESS: .062±.005/(1.57±0.13)

ADD PCB THICKNESS EC NO. UJF2005-2739 DRAWN: SCHMIDT 2005/06/20 CHKD: HELMAG 2005/06/22 APPR: F. SMITH 2005/06/23 L2	QUALITY SYMBOLS	GENERAL TOLERANCES (UNLESS SPECIFIED)	SCALE 4:1	DESIGN UNITS INCH	THIRD ANGLE PROJECTION	REVISE ON CAD ONLY															
	-0 -0	<table border="1"> <tr> <th></th> <th>mm</th> <th>INCH</th> </tr> <tr> <td>4 PLACES</td> <td>±.010</td> <td>±.0004</td> </tr> <tr> <td>3 PLACES</td> <td>±.015</td> <td>±.0005</td> </tr> <tr> <td>2 PLACES</td> <td>±.025</td> <td>±.0010</td> </tr> <tr> <td>1 PLACE</td> <td>±.036</td> <td>±.0014</td> </tr> </table>		mm	INCH	4 PLACES	±.010	±.0004	3 PLACES	±.015	±.0005	2 PLACES	±.025	±.0010	1 PLACE	±.036	±.0014	DIMENSION STYLE IN/MM	TITLE	ULTRA LOW PROFILE RIGHT ANGLE MODULAR JACK ASSEMBLY	
			mm	INCH																	
		4 PLACES	±.010	±.0004																	
3 PLACES	±.015	±.0005																			
2 PLACES	±.025	±.0010																			
1 PLACE	±.036	±.0014																			
DRAFT WHERE APPLICABLE	DRAWN BY L.E. LENZ CHECKED BY JTR APPROVED BY RAS	DATE 1995/03/09 DATE 1995/03/09 DATE 1995/03/09	MATERIAL NO. SEE SHTS 5&6 DOCUMENT NO. SDA-43202 SHEET NO. 9 OF 9	MOLEX INCORPORATED																	
	THIS DRAWING CONTAINS INFORMATION THAT IS PROPRIETARY TO MOLEX INCORPORATED AND SHOULD NOT BE USED WITHOUT WRITTEN PERMISSION																				

td\_frame\_C\_P\_ME\_T  
Rev. C 2002/05/05

12

11

10

9

8

7

6

5

4

3

2

1