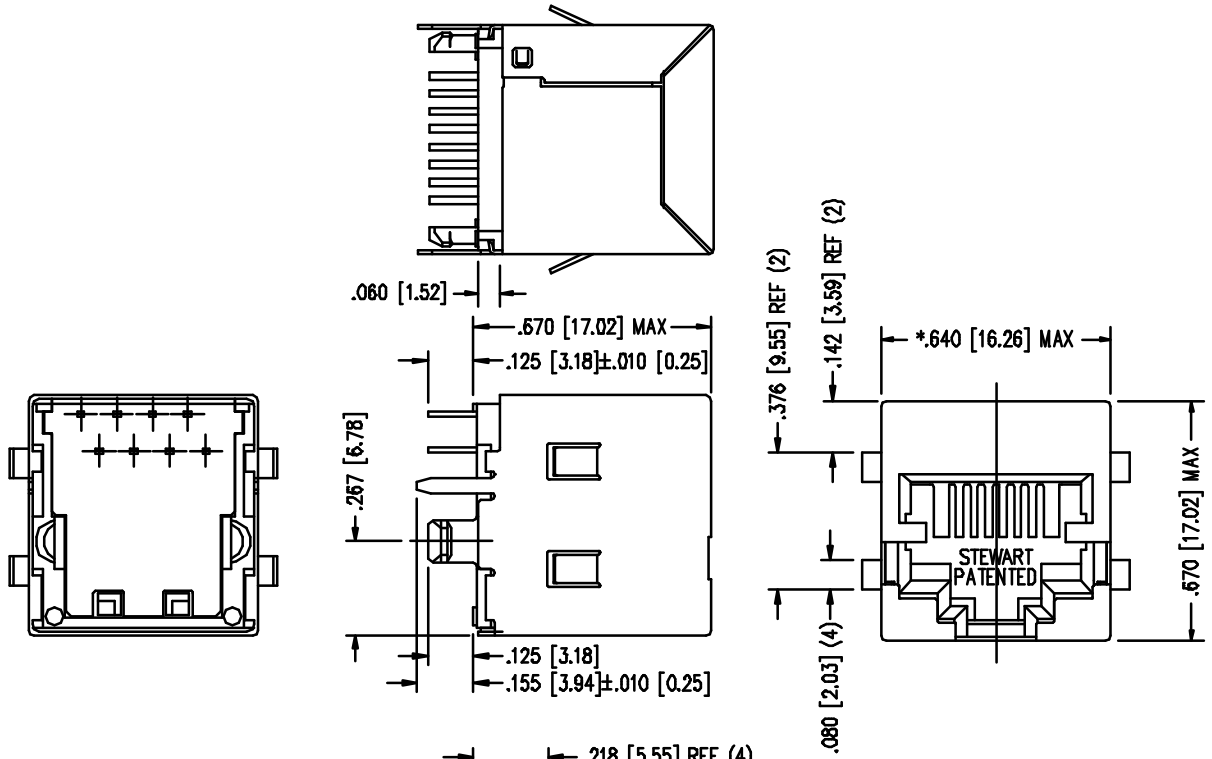


STEWART CONNECTOR SYSTEMS, INC.

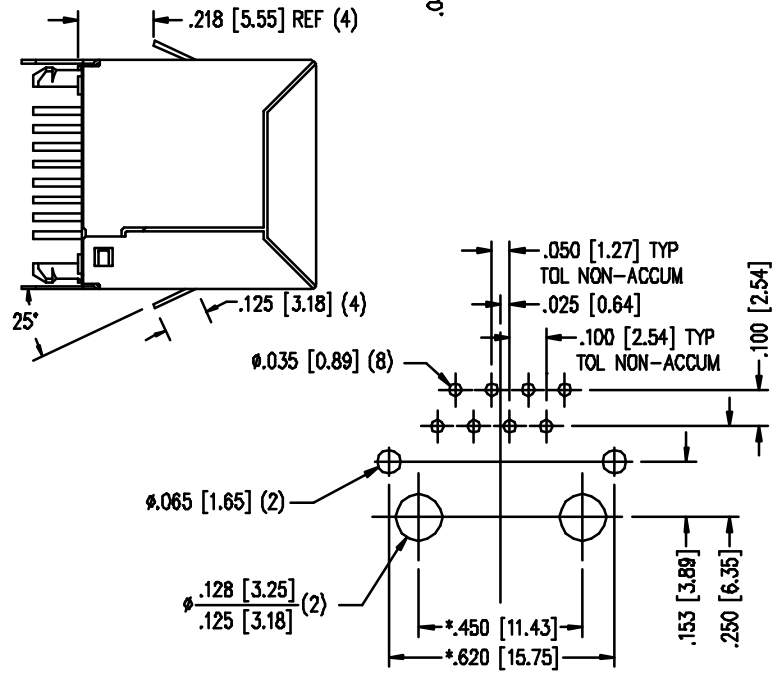
R.D. 2, BOX 2020 GLEN ROCK, PENNSYLVANIA 17327

PART NO.- SS-650810S-A-NF-01
EIGHT CONTACT, TEN POSITION; VERTICAL MOUNT SHIELDED JACK

-NF NON-FLANGE
-01 GROUNDING TABS @ 25°



**FOR REFERENCE
ONLY**



- NOTES:
- TOLERANCE COMPLY WITH F.C.C. DIMENSION REQUIREMENTS ALL OTHERS $\pm .005 [0.13]$ UNLESS OTHERWISE SPECIFIED.
 - DIMENSIONS SHOWN WITH "*" TO BE CENTRAL ABOUT CENTER LINE

- AVAILABLE WITH:
- 30 & 50, MICRO-INCH SELECTIVE GOLD PLATING
 - LOADED 1 - 10 CONTACTS

CT650055X2