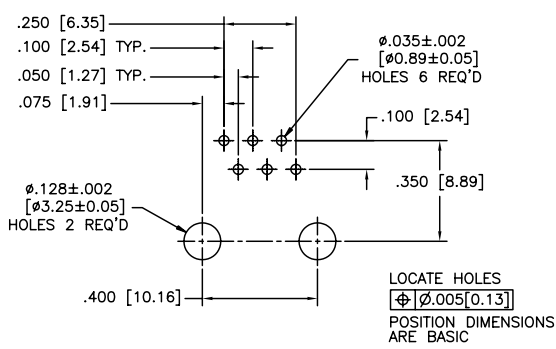
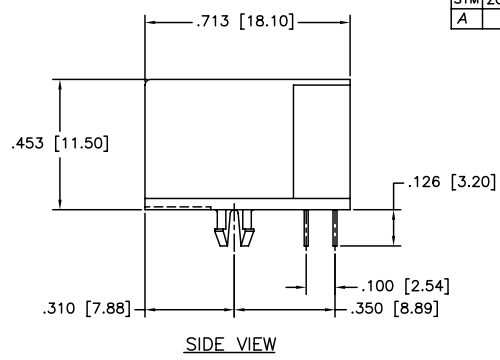
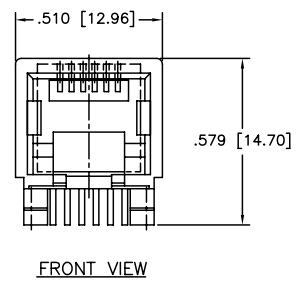


REVISIONS				
SYM	ZONE	ECN, ERN NO.	DATE	APPRD.
A		PROPOSAL	05/12/22	LOHAN



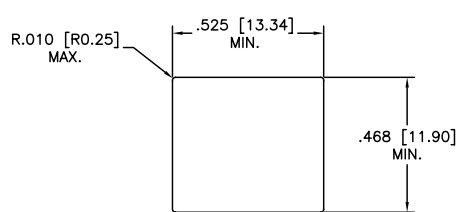
RECOMMENDED P.C.B. LAYOUT
(COMPONENT SIDE OF BOARD)

MATERIALS:
 PLASTIC HOUSING: HIGH TEMPERATURE THERMOPLASTIC
 FLAMMABILITY RATING UL94V-0

CONTACTS: PHOSPHOR BRONZE
 PLATING: REFER PART NUMBER FOR GOLD THICKNESS ON MATING SURFACES.
 50 μ" [1.27 MICRONS]
 MIN. NICKEL UNDERPLATE.
 100 μ" [2.54 MICRONS]
 MIN. MATTE TIN OR GOLD FLASH ON CONTACT TAILS.

PART NUMBER: RJE05-166-0X10

- GOLD PLATING
- 1 = 6 μINCH
 - 2 = 15 μINCH
 - 3 = 30 μINCH
 - 4 = 50 μINCH



RECOMMENDED PANEL CUTOUT

THIS DOCUMENT CONTAINS PROPRIETARY INFORMATION AND SUCH INFORMATION MAY NOT BE DISCLOSED TO OTHERS FOR ANY PURPOSE OR USED FOR MANUFACTURING PURPOSES WITHOUT WRITTEN PERMISSION FROM AMPHENOL CANADA CORP.

DRAWN Chigow	DATE 05/12/22	Amphenol Canada Corp.
DESIGNED		
CHECKED PAULW	DATE 05/12/22	TITLE RJE05 SERIES MODULAR JACK, 6 POSITION, 6 CONTACTS, UNSHIELDED, ULTRA LOW PROFILE-RoHS COMPLIANT
I. E. APPRD.		
Q. A. APPRD.		
DWG. APPRD.		
ENG. REL. NO.		DWG. DRAWING NO. P-RJE05-166-0X10
REF.		REV. A
DIMENSIONS ARE IN mm	CODE ID. NO. 03554	SCALE WT. SURF. SHEET 1 OF 1