

**NOTES :**

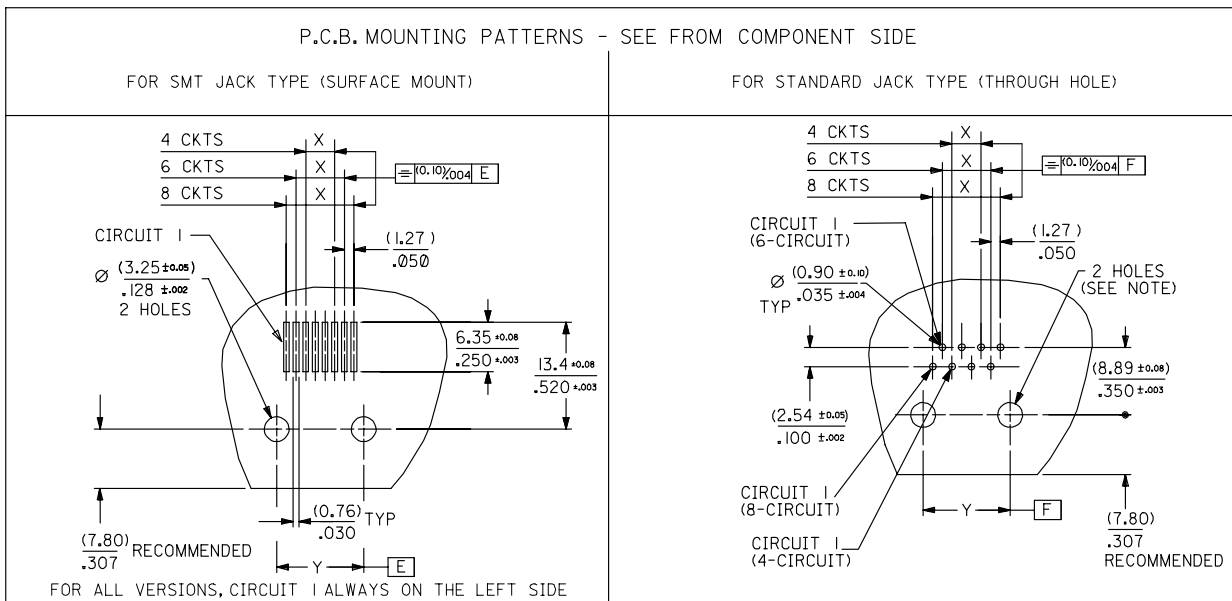
- 1- MATERIAL:
  - HOUSING: LCP GLASS FILLED UL 94V-0. COLOUR BLACK.
  - TERMINAL: PHOSPHOR BRONZE .
- PLATING 2:
  - POST PLATE (0.00127)/.000050 MIN GOLD IN CONTACT AREA
  - (0.00190)/.000075 MIN PURE TIN IN TAIL AREA
  - BOTH OVER (0.00127)/.000050 MIN NICKEL OVERALL.
- 2- JACK FOR MATING WITH F.C.C. 68 PLUGS 90075 MOLEX SERIES.
- 3- PRODUCT SPECIFICATION PS-95501.
- 4- PACKAGING SPECIFICATION PK-95001: STANDARD PACKAGING SHEET 1, SPECIAL PACKAGING SHEET 2, TUBE PACKAGING SHEET 3.
- 5- MANUFACTURING I.D. CAN BE EITHER MXF, MG OR MXL.
- 6- RECOMMENDED PCB THICKNESS: 1.6mm

DIM.	TYPE		POS. 4		POS. 6		POS. 8	
	4 CKTS.	8 CKTS.	4 CKTS.	8 CKTS.	6 CKTS.	8 CKTS.	6 CKTS.	8 CKTS.
A	(11.18) / .440	(13.21) / .520	(13.21) / .520	(15.24) / .600	(13.21) / .520	(15.24) / .600	(13.21) / .520	(15.24) / .600
C	(7.62) / .300	(10.16) / .400	(10.16) / .400	(11.43) / .450	(10.16) / .400	(11.43) / .450	(10.16) / .400	(11.43) / .450
B	(3.81) / .150	(3.81) / .150	(3.81) / .150	(6.35) / .250	(3.81) / .150	(6.35) / .250	(3.81) / .150	(6.35) / .250

MODIFIED NOTES: EC NO: E2008-0176 DRAWN BY: DBYRNES CHECKED: CHIKO APPROVED: EOMAHONY	QUALITY SYMBOLS	GENERAL TOLERANCES (UNLESS SPECIFIED) mm INCH 4 PLACES ± .15 ± .010 3 PLACES ± .15 ± .010 2 PLACES ± 0.25 ± .010 1 PLACE ± 0.25 ± .010 ANGULAR ± .000	DIMENSION STYLE	SCALE	DESIGN UNITS	THIRD ANGLE PROJECTION
	▽=0 ▽=0		MM/IN	4:1	METRIC	
	DESCRIPTION		DRAWN BY	DATE	TITLE	
	REV		DBYRNES	2006/08/02	R/A LOW PROFILE PC JACK 4,6,8 CKTS SIZE THROUGH HOLE VERSION	
		CHECKED BY	DATE	MOLEX INCORPORATED		
		EOMAHONY	2006/08/12	DOCUMENT NO. SD-95501-001		
		APPROVED BY	DATE	SHEET NO. 1 OF 5		
		EOMAHONY	2006/08/12	THIS DRAWING CONTAINS INFORMATION THAT IS PROPRIETARY TO MOLEX INCORPORATED AND SHOULD NOT BE USED WITHOUT WRITTEN PERMISSION		

10 9 8 7 6 5 4 3 2 1

TYPE DIM.	POS. 4	POS. 6		POS. 8
	4 CKTS.	4 CKTS.	6 CKTS.	8 CKTS.
Y $(\pm 0.05) / \pm .002$	(7.62) / .300	(10.16) / .400	(10.16) / .400	(11.43) / .450
X $(\pm 0.05) / \pm .002$	(3.81) / .150	(3.81) / .150	(6.35) / .250	(8.89) / .350



**NOTE:**  
 FOR CONVECTION SOLDERING: DIA 3.25±0.05 / .128±.002  
 FOR WAVE SOLDERING: DIA 3.20±0.10 / .126±.004

<b>MODIFIED TABLE</b> EC NO: E2008-0176 DRAWN: DBYRNES 2007/10/05 CHECK: CHIKO 2007/10/05 APPR: EOMAHONY 2007/10/05	<b>QUALITY SYMBOLS</b> ▽=0 ▽=0	<b>GENERAL TOLERANCES (UNLESS SPECIFIED)</b> <table border="1" style="width: 100%; border-collapse: collapse;"> <thead> <tr> <th></th> <th>mm</th> <th>INCH</th> </tr> </thead> <tbody> <tr> <td>4 PLACES</td> <td>± ---</td> <td>± ---</td> </tr> <tr> <td>3 PLACES</td> <td>± ---</td> <td>± .006</td> </tr> <tr> <td>2 PLACES</td> <td>± 0.15</td> <td>± .010</td> </tr> <tr> <td>1 PLACE</td> <td>± 0.25</td> <td>± ---</td> </tr> <tr> <td colspan="2">ANGULAR</td> <td>± ---°</td> </tr> </tbody> </table>		mm	INCH	4 PLACES	± ---	± ---	3 PLACES	± ---	± .006	2 PLACES	± 0.15	± .010	1 PLACE	± 0.25	± ---	ANGULAR		± ---°	<b>DIMENSION STYLE</b> MM/IN	<b>SCALE</b> 2:1	<b>DESIGN UNITS</b> METRIC	<input checked="" type="checkbox"/> THIRD ANGLE PROJECTION
				mm	INCH																			
4 PLACES	± ---	± ---																						
3 PLACES	± ---	± .006																						
2 PLACES	± 0.15	± .010																						
1 PLACE	± 0.25	± ---																						
ANGULAR		± ---°																						
<b>DRAFT WHERE APPLICABLE MUST REMAIN WITHIN DIMENSIONS</b>		<b>DRAWN BY</b> DBYRNES <b>DATE</b> 2006/08/02 <b>CHECKED BY</b> EOMAHONY <b>DATE</b> 2006/08/12 <b>APPROVED BY</b> EOMAHONY <b>DATE</b> 2006/08/12	<b>MATERIAL NO.</b> SEE CHART SHEETS 4,5&6	<b>TITLE</b> R/A LOW PROFILE JACK PC JACK 4.6.8 CKT SIZE SMT AND STANDARD VERSION		<b>MOLEX INCORPORATED</b>																		
		<b>DOCUMENT NO.</b> SD-95501-001		<b>SHEET NO.</b> 3 OF 5																				

THIS DRAWING CONTAINS INFORMATION THAT IS PROPRIETARY TO MOLEX INCORPORATED AND SHOULD NOT BE USED WITHOUT WRITTEN PERMISSION

9 8 7 6 5 4 3 2 1

10 9 8 7 6 5 4 3 2 1

**STANDARD PACKAGING OPEN TRAY ,SEE PACKAGING SPEC PK95001 SHEET 1**

PART NO FOR JACK ASSEMBLY

**THROUGH HOLE VERSION**

HOUSING SIZE	LOADED CONTACTS	PLATING	LCP GLASS FILED 94V0,COLOR BLACK.															
			NO KEY		KEY													
			NOT RIBBED	TOOLED	NOT RIBBED	TOOLED	TOOLED	TOOLED	TOOLED	TOOLED								
4	4	2	9550I-244I	X														
6	4	2	9550I-264I	X														
6	6	2	9550I-266I	X														
8	8	2	9550I-288I	X	9550I-2882	X												

ORIGINAL EC NO: E2007-0117 DRAWN: DBYRNES 2006/10/11 CHKD: CHIKO 2006/10/11 APPR: EOMAHONY 2006/10/12 REV A	QUALITY SYMBOLS ▽=0 ▽=0	GENERAL TOLERANCES (UNLESS SPECIFIED) <table border="1"> <tr> <th></th> <th>mm</th> <th>INCH</th> </tr> <tr> <td>4 PLACES</td> <td>± .005</td> <td>± .0005</td> </tr> <tr> <td>3 PLACES</td> <td>± .005</td> <td>± .0005</td> </tr> <tr> <td>2 PLACES</td> <td>± .005</td> <td>± .0005</td> </tr> <tr> <td>1 PLACE</td> <td>± .005</td> <td>± .0005</td> </tr> <tr> <td>ANGULAR</td> <td>± .005°</td> <td></td> </tr> </table>		mm	INCH	4 PLACES	± .005	± .0005	3 PLACES	± .005	± .0005	2 PLACES	± .005	± .0005	1 PLACE	± .005	± .0005	ANGULAR	± .005°		DIMENSION STYLE MM ONLY	SCALE ---	DESIGN UNITS METRIC	THIRD ANGLE PROJECTION
		mm	INCH																					
	4 PLACES	± .005	± .0005																					
	3 PLACES	± .005	± .0005																					
2 PLACES	± .005	± .0005																						
1 PLACE	± .005	± .0005																						
ANGULAR	± .005°																							
		DRAWN BY DBYRNES	DATE 2006/08/02	TITLE LOW PROFILE R/A JACK STANDARD T/HOLE VERSION STANDARD OPEN TRAY VERS																				
		CHECKED BY EOMAHONY	DATE 2006/08/12	MOLEX MOLEX INCORPORATED																				
		APPROVED BY EOMAHONY	DATE 2006/08/12	MATERIAL NO. SEE CHART	DOCUMENT NO. SD-95501-001	SHEET NO. 4 OF 5																		

ib\_frame\_A3\_P\_ME\_1  
Rev. D 2004/04/02

9 8 7 6 5 4 3 2 1