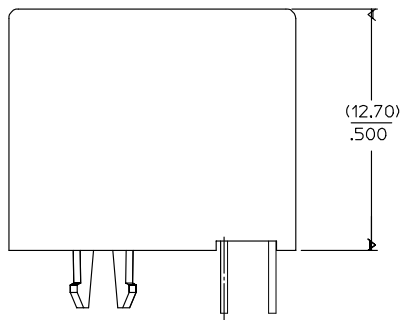


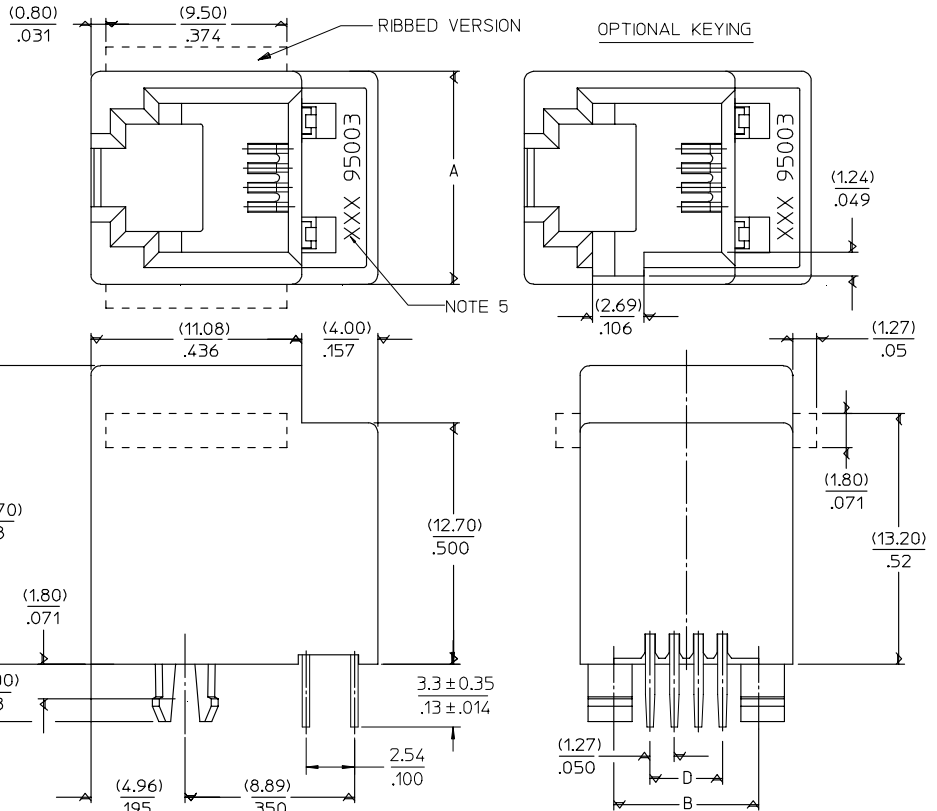
**NOTES :**

- 1- MATERIAL:
  - HOUSING: LCP FIBER GLASS FILLED UL 94-V0
  - COLOR BLACK.
  - TERMINAL: TIN BRASS.
- PLATING 2:
  - POST PLATE (0.00127-0.00152)/.000050-.000060 GOLD IN CONTACT AREA. (0.00190)/.000075 MIN. PURE TIN IN TAIL AREA BOTH OVER (0.00127)/.000050 MIN. NICKEL OVERALL.
- PLATING 7: ONLY ON REQUEST
  - POST PLATE 0.00005/0.00002 MIN GOLD OVER 0.000763 .000030 MIN PALLADIUM NICKEL IN CONTACT AREA. 0.00190/0.00075 MIN PURE TIN IN TAIL AREA, BOTH OVER 0.00127/.000050 MIN NICKEL OVERALL:
- 2- JACK FOR MATING WITH F.C.C. 68 PLUGS 90075 MOLEX SERIES.
- 3- PRODUCT SPECIFICATION PS-95503-001
- 4- PACKAGING SPECIFICATION PK-95003:
  - STANDARD PACKAGING SHEET 1.
  - TUBE PACKAGING FOR SMT VERSION SHEET 2.
  - TUBE PACKAGING FOR THROUGH HOLE VERSION SHEET 3.
- 5- MANUFACTURING I.D. CAN BE MXF, MG OR MXL

TYPE	POS. 4		POS. 6		POS. 8
	4 CKTS.	4 CKTS.	6 CKTS.	6 CKTS.	8 CKTS.
A	(11.18) / .440	(13.21) / .520	(13.21) / .520	(15.24) / .600	
B	(7.62) / .300	(10.16) / .400	(10.16) / .400	(11.43) / .450	
D	(3.81) / .150	(3.81) / .150	(6.35) / .250	(8.89) / .350	



SHORT VERSION

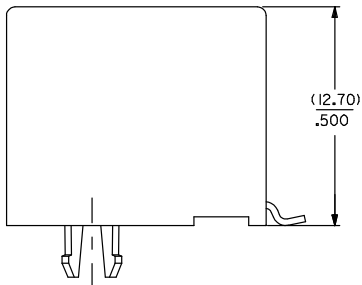


ADDED TABLE EC NO: E2008-0267 DRAWN BY: DRW:BJBYRNES CHKD: CHIKO APPR: EDMAHONY 2007/11/28 2007/11/28 2007/11/28	QUALITY SYMBOLS ▽=0 ▽=0	GENERAL TOLERANCES (UNLESS SPECIFIED) 4 PLACES ± --- ± --- 3 PLACES ± --- ± .006 2 PLACES ± 0.15 ± .010 1 PLACE ± 0.25 ± --- ANGULAR ± .5 °	DIMENSION STYLE MM/IN DRAWN BY: T MARTIN DATE: 2005/06/15 CHECKED BY: F CARABETTA DATE: 2005/06/15 APPROVED BY: KNOLLER DATE: 2005/06/15	SCALE: 5:1 DESIGN UNITS: METRIC THIRD ANGLE PROJECTION	TITLE: LOW PROFILE TOP ENTRY JACK (THROUGH HOLE VERSION) MOLEX INCORPORATED	
	DRAFT WHERE APPLICABLE MUST REMAIN WITHIN DIMENSIONS	MATERIAL NO.: SEE SHT 4,5 SIZE: A3	DOCUMENT NO.: SD-95503-003 SHEET NO.: 1 OF 5	THIS DRAWING CONTAINS INFORMATION THAT IS PROPRIETARY TO MOLEX INCORPORATED AND SHOULD NOT BE USED WITHOUT WRITTEN PERMISSION		

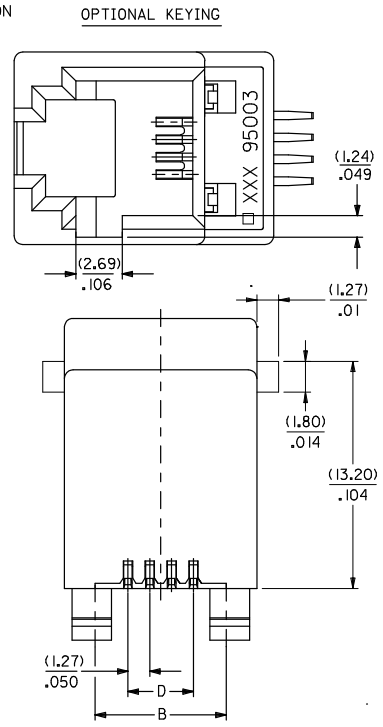
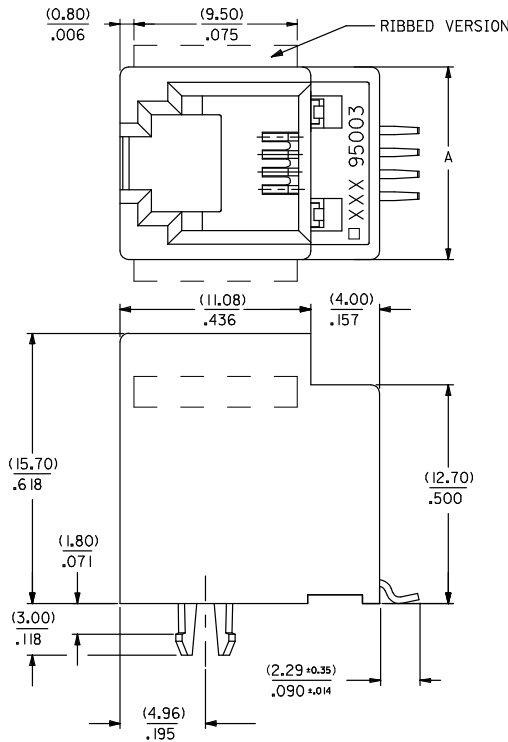
**NOTES :**

**1- MATERIAL:**

- HOUSING: L C P FIBER GLASS FILLED UL 94-V0  
COLOR BLACK
- 2-APPLICATION SPECIFICATION: AS-85513-001 (SMT)
- 3- SEE OTHER NOTES SHEET 1.
- 4- COPLANARITY OF SIGNAL TAILS 0.1mm MAX  
RELEVANT TO EACH OTHER.



SHORT VERSION



DIM.	TYPE	POS. 4		POS. 6		POS. 8	
		4 CKTS.	4 CKTS.	6 CKTS.	8 CKTS.	8 CKTS.	8 CKTS.
A		(11.18) / .440	(13.21) / .520	(13.21) / .520	(15.24) / .600		
B		(7.62) / .300	(10.16) / .400	(10.16) / .400	(11.43) / .450		
D		(3.81) / .150	(3.81) / .150	(6.35) / .250	(8.89) / .350		

ADDED NOTE 4. EC NO: E2008-0585 DRW:BY/REV: 2008/04/21 CHKD: 2008/04/22 APPR:ED/DATE: 2008/04/22	QUALITY SYMBOLS ▽=0 ▽=0	GENERAL TOLERANCES (UNLESS SPECIFIED) mm INCH 4 PLACES ± --- ± --- 3 PLACES ± --- ± .006 2 PLACES ± 0.15 ± .010 1 PLACE ± 0.25 ± --- ANGULAR ± .5 °	DIMENSION STYLE MM/IN	SCALE 5:1	DESIGN UNITS METRIC	THIRD ANGLE PROJECTION	
	DRAWN BY: TMARTIN DATE: 2005/06/19 CHECKED BY: FCARABETTA DATE: 2005/06/19 APPROVED BY: KNOLLER DATE: 2005/06/19		TITLE LOW PROFILE T/E JACK (SMT VERSION)		MOLEX INCORPORATED		
	DRAFT WHERE APPLICABLE MUST REMAIN WITHIN DIMENSIONS		SEE SHT. 4, 5		DOCUMENT NO. SD-95503-003		SHEET NO. 2 OF 5
	THIS DRAWING CONTAINS INFORMATION THAT IS PROPRIETARY TO MOLEX INCORPORATED AND SHOULD NOT BE USED WITHOUT WRITTEN PERMISSION						

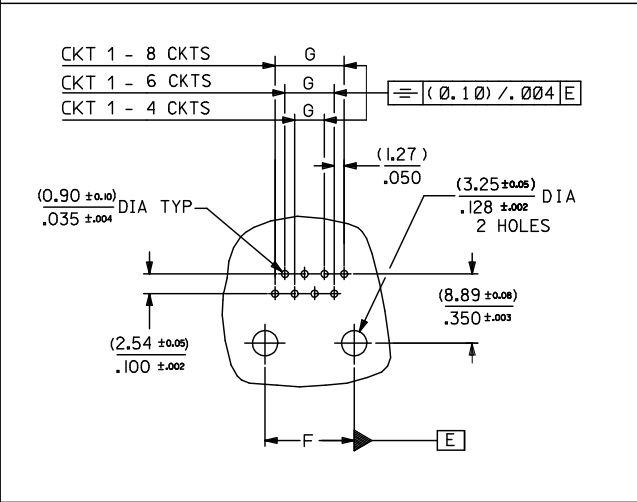
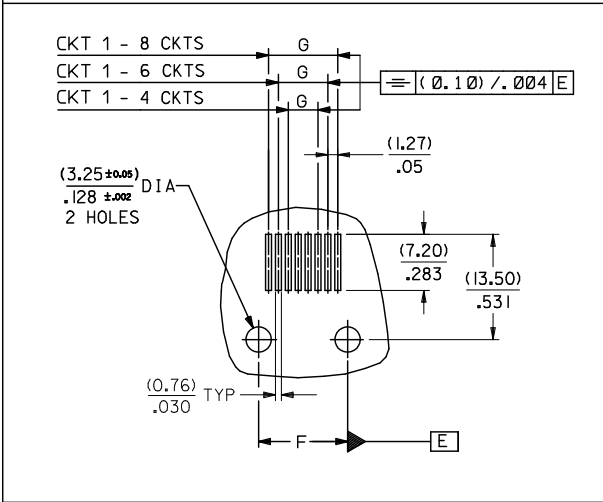
10 9 8 7 6 5 4 3 2 1

TYPE DIM.	POS. 4	POS. 6		POS. 8
	4 CKTS.	4 CKTS.	6 CKTS.	8 CKTS.
F ( $\pm 0.05$ ) / $\pm 0.02$	(7.62) / .300	(10.16) / .400	(10.16) / .400	(11.43) / .450
G ( $\pm 0.05$ ) / $\pm 0.02$	(3.81) / .150	(3.81) / .150	(6.35) / .250	(8.89) / .350

P.C.B MOUNTING PATTERNS - SEEN FROM COMPONENT SIDE

FOR SMT JACK (SURFACE MOUNT)

FOR STANDARD JACK (THROUGH HOLE)



ADDED CKT 1 EC NO: E2010-0075 DRWN: DRYNES CHKD: APPR: WALLACE 2009/08/13 2009/08/19 2009/08/19	QUALITY SYMBOLS	GENERAL TOLERANCES (UNLESS SPECIFIED)	DIMENSION STYLE	SCALE	DESIGN UNITS	THIRD ANGLE PROJECTION	
	▽=0 ▽=0		mm INCH	MM/IN	1:1	METRIC	
		4 PLACES ± --- ± ---	DRAWN BY	DATE	TITLE		
		3 PLACES ± --- ± .006	T. MARTIN	2005/06/15	LOW PROFILE T/E JACK		
	2 PLACES ± 0.15 ± .010	CHECKED BY	DATE	MOLEX INCORPORATED			
	1 PLACE ± 0.25 ± ---	F. CARABETTA	2005/06/15				
	ANGULAR ± .5 °	APPROVED BY	DATE	DOCUMENT NO.			
		KNOLLER	2005/06/15	SD-95503-003			
	DRAFT WHERE APPLICABLE MUST REMAIN WITHIN DIMENSIONS	MATERIAL NO.	SEE SHT. 4, 5	SHEET NO.			
		SIZE	A3	3 OF 5			
		THIS DRAWING CONTAINS INFORMATION THAT IS PROPRIETARY TO MOLEX INCORPORATED AND SHOULD NOT BE USED WITHOUT WRITTEN PERMISSION					

TUBE PACKAGING, SEE PACKAGING SPEC. PK 95003  
SHEET 2

PART NO FOR JACK ASSEMBLY S.M.T. STANDARD VERSION										
HOUSING SIZE	LOADED CONTACTS	PLATING	LCP FIBER GLASS FILLED 94V0, COLOR BLACK.							
			NO KEY NO RIB	KEY TOOLED	NO RIB TOOLED	NO KEY RIB	TOOLED	TOOLED		
4	4	2	95503-6451	X						
6	4	2	95503-6651	X						
6	6	2	95503-6671	X						
8	8	2	95503-6891	X			95503-6887	X		
		2								

PART NO FOR JACK ASSEMBLY S.M.T. SHORT VERSION							
LCP FIBER GLASS FILLED 94V0, COLOR BLACK.							
NO KEY NO RIB	TOOLED	KEY NO RIB	TOOLED	NO KEY RIB	TOOLED	TOOLED	TOOLED
95503-6894	X						

TOOLED	X
NOT TOOLED	

REMOVED PART #'s EC NO: E2007-1039 DRAWN BY: BRNES 2007/06/26 CHKD: 2007/06/26 APPR: EDMAHONY 2007/07/09 DESCRIPTION	QUALITY SYMBOLS	GENERAL TOLERANCES (UNLESS SPECIFIED)	DIMENSION STYLE MM/IN	SCALE	DESIGN UNITS METRIC	THIRD ANGLE PROJECTION	
	▽=0	mm INCH	DRAWN BY DATE	---		TITLE	
	▽=0	4 PLACES ± --- ± ---	MARTIN 2005/06/16	CHECKED BY DATE	LOW PROFILE T/E JACK SMT VERSION		
		3 PLACES ± --- ± ---	FCARABETTA 2005/06/16	APPROVED BY DATE	MOLEX INCORPORATED		
		2 PLACES ± --- ± ---	KNOLLER 2005/06/16	MATERIAL NO.	DOCUMENT NO.	SHEET NO.	
	1 PLACE ± --- ± ---		SEE CHART	SD-95503-003	5 OF 5		
	ANGULAR ± ---°		THIS DRAWING CONTAINS INFORMATION THAT IS PROPRIETARY TO MOLEX INCORPORATED AND SHOULD NOT BE USED WITHOUT WRITTEN PERMISSION				