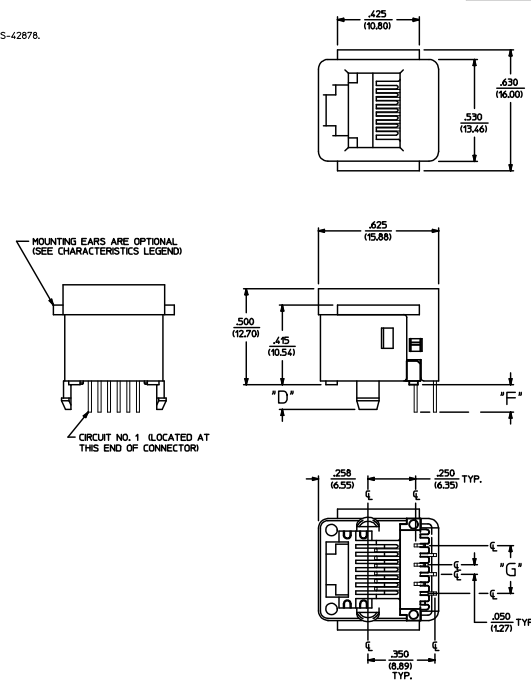
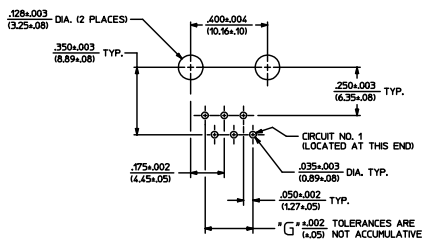
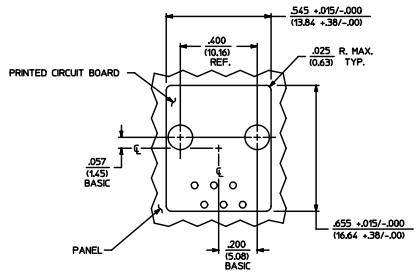


MODULAR JACK CHARACTERISTICS LEGEND	
EXTERNAL CONNECTOR BODY DIMENSIONS: (SEE NOTES 8 AND 9) JACKS ARE AVAILABLE IN STANDARD 4, 6, AND 8 POSITION BODY SIZES	
NUMBER OF CONTACT POSITIONS: CONNECTOR SIZE 4 CAN ACCOMMODATE 2 OR 4 TERMINALS, CONNECTOR SIZE 6 CAN ACCOMMODATE 2, 4, OR 6 TERMINALS, CONNECTOR SIZE 8 CAN ACCOMMODATE 2, 4, 6, 8, OR 10 TERMINALS	
POLARIZATION OPTION: "NO" = JACKS WITHOUT KEYING SLOT "YES" = JACKS WITH KEYING SLOT (AVAILABLE ON CONNECTOR SIZE 8 ONLY)	
MOUNTING EARS OPTION: "YES" = JACKS WITH MOUNTING EARS "NO" = JACKS WITHOUT MOUNTING EARS	

- NOTES:
- 1) MATERIALS: HOUSING- POLYESTER GLASS FILLED UL94V-0, COLOR - BLACK  
TERMINALS- PHOSPHOR BRONZE ALLOY, .015/(0.38) THICK
  - 2) TERMINAL PLATING:  
SELECT GOLD IN CONTACT AREA: 50 MICRONS MIN.  
SELECT TIN IN PC TAIL AREA: 100 MICRONS MIN.  
WITH OVERALL NICKEL UNDERPLATE: 50 MICRONS MIN.  
\*THE PRIMARY SHIPPING CARTON WILL BE LABELED COMPLIANT TO RoHS DIRECTIVE 2002/95/EC AND ELV ANNEX II OF DIRECTIVE 2000/53/EC. CARTONS WITHOUT THIS LABEL MAY CONTAIN PRODUCT WITH TIN-LEAD IN THE PC TAIL.
  - 3) THESE MODULAR JACKS MEET THE PERFORMANCE REQUIREMENTS OF MOLEX PRODUCT SPECIFICATION PS-42878.
  - 4) CONNECTORS ARE SHIPPED IN THERMOFORMED TRAYS, PER PACKAGING SPECIFICATION PK-42878-492.
  - 5) ALL JACKS ARE DESIGNED TO BE USED WITH .062/(1.57) OR .125/(3.18) THICK P.C. BOARDS.
  - 6) ALL JACKS CONFORM TO AND ACCEPT PLUGS WHICH CONFORM TO FCC RULES AND REGULATIONS PART 68, SUBPART F.
  - 7) ALL JACKS MUST BE CAPABLE OF FITTING INTO MOLEX GAGE G-42410 (CONNECTOR SIZE 6).
  - 8) SEE SHEETS 1 & 4 FOR CONNECTOR SIZE 4.
  - 9) SEE SHEETS 3 & 5 FOR CONNECTOR SIZE 8.
  - 10) ENGRAVED NUMBERS ON HOUSING BODY ARE FOR MOLDING IDENTIFICATION ONLY. THEY ARE NOT INTENDED FOR ASSEMBLY IDENTIFICATION PURPOSES.
  - 11) THIS PART CONFORMS TO CLASS B REQUIREMENTS OF COSMETIC SPECIFICATION PS-45499-002 WITH THE EXCEPTION OF THE SINK WHICH CONFORMS TO CLASS C REQUIREMENTS.

P. C. BOARD THICKNESS	DIM. "D" (MTG. PEGS)	DIM. "F" (P.C. TAILS)
.062/(1.57)	.128 (3.25)	.120 +.015/-.025 (3.05 +.38/-.63)
.125/(3.18)	.191 (4.85)	.205 +.015/-.025 (5.21 +.38/-.63)

CONNECTOR SIZE	CIRCUIT SIZE	DIM. "G"
6	6	.250 (6.35)
6	4	.150 (3.81)
6	2	.050 (1.27)



SIZE 6 MODULAR JACK LOADED WITH 6 TERMINALS SHOWN ABOVE

QUALITY SYMBOLS	GENERAL TOLERANCES (UNLESS SPECIFIED)		DIMENSION STYLE		SCALE	DESIGN UNITS	THIRD ANGLE PROJECTION
	MIN	INCH	IN/MM	INCH			
▽	4 PLACES ±---	±---	BAP	DATE 1992/04/02	1:1	INCH	ASSEMBLY, VERTICAL LOW PROFILE MODULAR JACKS (CONNECTOR SIZE 6)
▽	3 PLACES ±---	±.010	CHECKED BY DATE 1992/04/02				
▽	2 PLACES ±---	±.025	BAP DATE 1992/04/02				
▽	1 PLACE ±---	±---	APPROVED BY DATE 1992/04/02				
ANGULAR ±1/2°			PATERIAL NO. SEE SHEET 4		DOCUMENT NO.	SHEET NO. 2 OF 5	
DRAFT WHERE APPLICABLE MUST REMAIN WITHIN DIMENSIONS			THIS DRAWING CONTAINS INFORMATION THAT IS PROPRIETARY TO MOLEX INCORPORATED AND SHOULD NOT BE USED WITHOUT WRITTEN PERMISSION				

PART CHARACTERISTICS					PART CHARACTERISTICS					CHARACTERISTICS LEGEND				
ASSEMBLY NUMBER	EXTERNAL CONNECTOR SIZE	NUMBER OF POSITIONS	P. C. BOARD THICKNESS	MOUNTING EARS OPTION	ASSEMBLY NUMBER	EXTERNAL CONNECTOR SIZE	NUMBER OF POSITIONS	P. C. BOARD THICKNESS	MOUNTING EARS OPTION	EXTERNAL CONNECTOR BODY DIMENSIONS: AVAILABLE IN 4, 6, AND 8 POSITION BODY				
42878-4216	4 POS. BODY	4	.062	YES	42878-4216	6 POS. BODY	6	.062	YES	NUMBER OF CONTACT POSITIONS: CONNECTOR SIZE 4 ACCOMMODATES 2, OR 4 TERMINALS; CONNECTOR SIZE 6 ACCOMMODATES 2, 4, OR 6 TERMINALS; CONNECTOR SIZE 8 ACCOMMODATES 2, 4, 6, 8 OR 10 TERMINALS				
42878-4218	4	4	.062	NO	42878-4218	6	6	.062	NO	POLARIZATION OPTIONS (AVAILABLE ON CONNECTOR SIZE 8 ONLY) "NO" = WITHOUT KEYING SLOT "YES" = WITH KEYING SLOT				
42878-4264	4	4	.125	YES	42878-4264	6	6	.125	YES	MOUNTING EARS OPTION: "YES" = PART WITH MOUNTING EARS "NO" = PART WITHOUT MOUNTING EARS				
42878-4266	4	4	.125	NO	42878-4266	6	6	.125	NO	(SEE SHEET 1 & 2 FOR PART DESCRIPTIONS AND DIMENSIONS)				
42878-4360	4	2	.062	YES	42878-4360	4	4	.062	YES					
42878-4362	4	2	.062	NO	42878-4362	4	4	.062	NO					
42878-4408	4	2	.125	YES	42878-4408	4	4	.125	YES					
42878-4410	4 POS. BODY	2	.125	NO	42878-4410	6 POS. BODY	2	.125	NO					

**QUALITY SYMBOLS**  
 0.050  
 0.025

GENERAL TOLERANCES (UNLESS SPECIFIED)		SCALE	DESIGN UNITS	THIRD ANGLE PROJECTION	REVISE ON CAD ONLY
4 PLACES	± .005	---	INCH		ASSEMBLY, VERTICAL LOW PROFILE MODULAR JACKS (CONNECTOR SIZE 4 & 6)
3 PLACES	± .005	---	IN/MM		
2 PLACES	± .005	---	---	DRAWN BY: BAP DATE: 1992/04/09	MOLEX INCORPORATED MATERIAL NO. _____ DOCUMENT NO. SEE CHART SDA-42878-***** 4 OF 5 SHEET NO. _____
1 PLACE	± .005	---	---	CHECKED BY: BAP DATE: 1992/04/09 APPROVED BY: RAS DATE: 1992/04/09	
DRAFT WHERE APPLICABLE		THIS DRAWING CONTAINS INFORMATION THAT IS PROPRIETARY TO MOLEX INCORPORATED AND SHOULD NOT BE USED WITHOUT WRITTEN PERMISSION			
MUST REMAIN WITHIN DIMENSIONS					