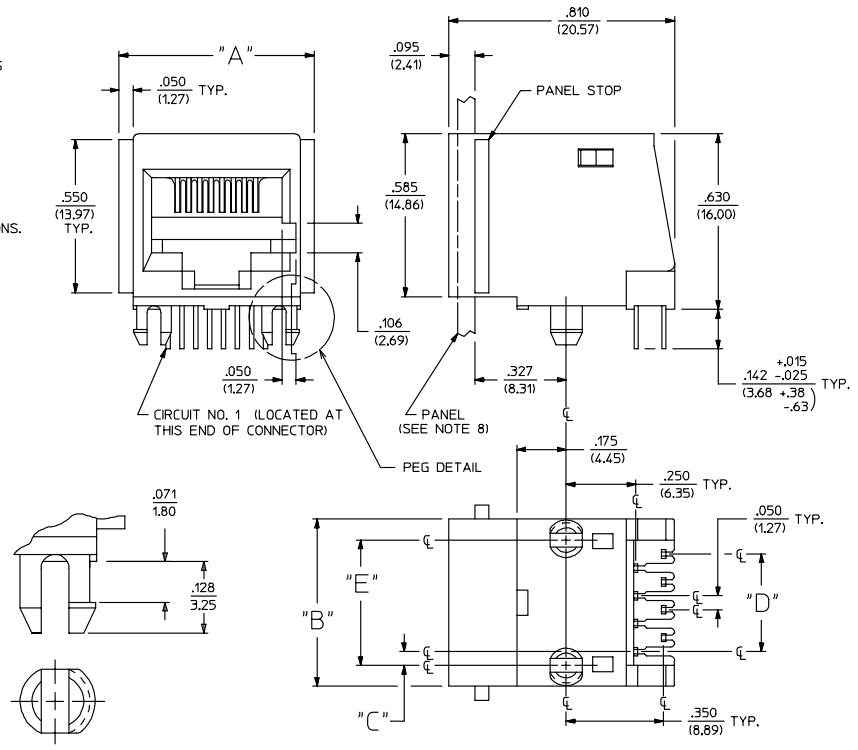


NOTES:

- 1) MATERIALS:
HOUSING: GLASS FILLED POLYESTER, UL94 V-0, COLOR: BLACK
TERMINALS: PHOSPHOR BRONZE
- 2) FINISH:
TERMINALS:
SELECT GOLD IN CONTACT AREA: 50 MICROINCHES MIN.
*SELECT TIN IN PC TAIL AREA: 100 MICROINCHES MIN.
WITH OVERALL NICKEL UNDERPLATE: 50 MICROINCHES MIN.
*THE PRIMARY SHIPPING CARTON WILL BE LABELED "COMPLIANT TO RoHS DIRECTIVE 2002/95/EC AND ELV ANNEX II OF DIRECTIVE 2000/53/EC". CARTONS WITHOUT THIS LABEL MAY CONTAIN PRODUCT WITH TIN-LEAD IN THE PC TAIL AREA.
- 3) ALL JACKS MUST MEET THE REQUIREMENTS OF MOLEX SPECIFICATION #PS-41314.
- 4) PACKAGING OPTIONS: TRAYS
- 5) JACKS CONFORM TO AND ACCEPT PLUGS WHICH CONFORM TO FCC REGULATIONS, PART 68.5.
- 6) JACKS ARE TO BE USED WITH .062/(1.57) THICK PRINTED CIRCUIT BOARDS.
- 7) SEE SHEET 3 FOR RECOMMENDED PANEL CUT-OUT AND BOARD LAYOUT DIMENSIONS.
- 8) PANEL TO BE LOCATED AGAINST MODULAR JACK FLANGE AS INDICATED.
- 9) HOUSING SIZES 4 AND 6 ARE NOT AVAILABLE WITH KEYING OPTION.
- 10) ALL UNTOLERANCED DIMENSIONS ARE SHOWN FOR REFERENCE ONLY.



PEG DETAIL
SCALE: 8:1

SIZE 8 MODULAR JACK HOUSING LOADED WITH 8 TERMINALS IS SHOWN ABOVE

3	0
2	01
1	01
SH/REV	

8	2	.700 (17.78)	.600 (15.24)	.200 (5.08)	.050 (1.27)	.450 (11.43)
8	4	.700 (17.78)	.600 (15.24)	.150 (3.81)	.150 (3.81)	.450 (11.43)
8	6	.700 (17.78)	.600 (15.24)	.100 (2.54)	.250 (6.35)	.450 (11.43)
8	8	.700 (17.78)	.600 (15.24)	.050 (1.27)	.350 (8.89)	.450 (11.43)

HOUSING SIZE	CIRCUIT SIZE	DIM. 'A'	DIM. 'B'	DIM. 'C'	DIM. 'D'	DIM. 'E'
--------------	--------------	----------	----------	----------	----------	----------

REMOVE FILM/ANNO PACK EC NO. UCP2006-2453 DRWN:PRODDER 2006/06/14 CHKD:JBELL 2006/06/27 APPR:FSMITH 2006/06/29	QUALITY SYMBOLS	GENERAL TOLERANCES (UNLESS SPECIFIED)	SCALE 4:1	DESIGN UNITS INCH	THIRD ANGLE PROJECTION	REVISE ON CAD ONLY	
	4 PLACES ± .005 3 PLACES ± .005 2 PLACES ± .005 1 PLACE ± .005 ANGULAR ±1/2° DRAFT WHERE APPLICABLE MUST REMAIN WITHIN DIMENSIONS	mm INCH	DIMENSION STYLE IN/MM	TITLE RIGHT ANGLE FLUSH MOUNT KEYED MODULAR JACK ASSEMBLY	Molex MOLEX INCORPORATED	MATERIAL NO. SEE SHEET 2 SDA-42063-*****	DOCUMENT NO. SHEET NO. 1 OF 3
		DRAWN BY DATE 1990/05/21	CHECKED BY DATE 1990/05/21	APPROVED BY DATE 1990/05/21			
		THIS DRAWING CONTAINS INFORMATION THAT IS PROPRIETARY TO MOLEX INCORPORATED AND SHOULD NOT BE USED WITHOUT WRITTEN PERMISSION					

13	12	11	10	9	8	7	6	5	4	3	2	42063
ENGINEERING PART NUMBER	E.D.P. NUMBER	HOUSING SIZE	CIRCUIT SIZE	PACKAGING OPTION								
A-42063-88ABAA	015-43-9501	8	8	TRAY PACK								
A-42063-86ABAA	015-43-9504	8	6	TRAY PACK								
A-42063-84ABAA	015-43-9507	8	4	TRAY PACK								
A-42063-82ABAA	015-43-9510	8	2	TRAY PACK								

SEE SHEET 1 FOR PART DESCRIPTIONS

SEE SHEET ONE EC NO. UCP2006-2453 DRWN: PRODDER 2006/06/14 CHKD: JRELL 2006/06/27 APPR: F SMITH 2006/06/29	QUALITY SYMBOLS	GENERAL TOLERANCES (UNLESS SPECIFIED)	SCALE ---	DESIGN UNITS INCH	THIRD ANGLE PROJECTION	REVISE ON CAD ONLY																																
	-0 -0	<table border="1"> <tr> <th></th> <th>mm</th> <th>INCH</th> </tr> <tr> <td>4 PLACES</td> <td>±.0004</td> <td>±.0016</td> </tr> <tr> <td>3 PLACES</td> <td>±.0008</td> <td>±.0031</td> </tr> <tr> <td>2 PLACES</td> <td>±.0015</td> <td>±.0060</td> </tr> <tr> <td>1 PLACE</td> <td>±.0030</td> <td>±.0120</td> </tr> </table>		mm	INCH	4 PLACES	±.0004	±.0016	3 PLACES	±.0008	±.0031	2 PLACES	±.0015	±.0060	1 PLACE	±.0030	±.0120	<table border="1"> <tr> <th colspan="2">DIMENSION STYLE</th> </tr> <tr> <td>IN/MM</td> <td></td> </tr> </table>	DIMENSION STYLE		IN/MM		<table border="1"> <tr> <td>DRAWN BY</td> <td>DATE</td> </tr> <tr> <td>GLT</td> <td>1990/05/21</td> </tr> <tr> <td>CHECKED BY</td> <td>DATE</td> </tr> <tr> <td>BAP</td> <td>1990/05/21</td> </tr> </table>		DRAWN BY	DATE	GLT	1990/05/21	CHECKED BY	DATE	BAP	1990/05/21	<table border="1"> <tr> <td colspan="2">TITLE</td> </tr> <tr> <td colspan="2">RIGHT ANGLE FLUSH MOUNT KEYED MODULAR JACK ASSEMBLY</td> </tr> </table>		TITLE		RIGHT ANGLE FLUSH MOUNT KEYED MODULAR JACK ASSEMBLY	
			mm	INCH																																		
		4 PLACES	±.0004	±.0016																																		
3 PLACES	±.0008	±.0031																																				
2 PLACES	±.0015	±.0060																																				
1 PLACE	±.0030	±.0120																																				
DIMENSION STYLE																																						
IN/MM																																						
DRAWN BY	DATE																																					
GLT	1990/05/21																																					
CHECKED BY	DATE																																					
BAP	1990/05/21																																					
TITLE																																						
RIGHT ANGLE FLUSH MOUNT KEYED MODULAR JACK ASSEMBLY																																						
<table border="1"> <tr> <td colspan="2">DRAFT WHERE APPLICABLE MUST REMAIN WITHIN DIMENSIONS</td> </tr> </table>	DRAFT WHERE APPLICABLE MUST REMAIN WITHIN DIMENSIONS		<table border="1"> <tr> <td>APPROVED BY</td> <td>DATE</td> </tr> <tr> <td>RAS</td> <td>1990/05/21</td> </tr> </table>	APPROVED BY	DATE	RAS	1990/05/21	<table border="1"> <tr> <td>MATERIAL NO.</td> <td>DOCUMENT NO.</td> <td>SHEET NO.</td> </tr> <tr> <td>SEE CHART</td> <td>SDA-42063-*****</td> <td>2 OF 3</td> </tr> </table>	MATERIAL NO.	DOCUMENT NO.	SHEET NO.	SEE CHART	SDA-42063-*****	2 OF 3	MOLEX INCORPORATED		THIS DRAWING CONTAINS INFORMATION THAT IS PROPRIETARY TO MOLEX INCORPORATED AND SHOULD NOT BE USED WITHOUT WRITTEN PERMISSION																					
DRAFT WHERE APPLICABLE MUST REMAIN WITHIN DIMENSIONS																																						
APPROVED BY	DATE																																					
RAS	1990/05/21																																					
MATERIAL NO.	DOCUMENT NO.	SHEET NO.																																				
SEE CHART	SDA-42063-*****	2 OF 3																																				

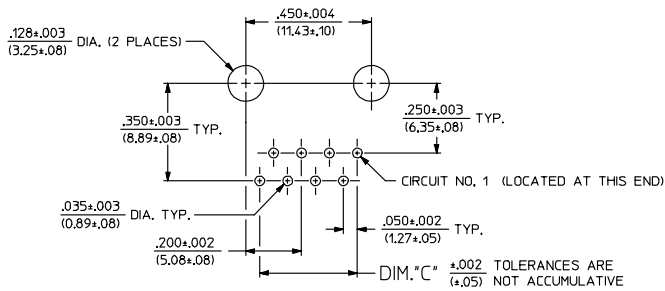
12	11	10	9	8	7	6	5	4	3	2	1
----	----	----	---	---	---	---	---	---	---	---	---

td_frame_C_P_ME_T
Rev. C 2002/05/05

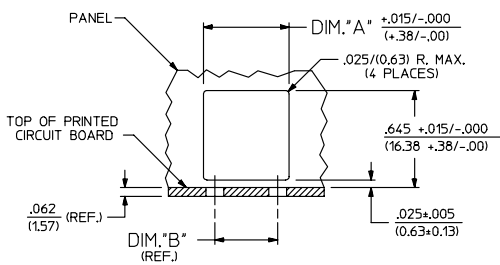
13 12 11 10 9 8 7 6 5 4 3 2 42063

ENGINEERING PART NUMBER	HOUSING SIZE	CIRCUIT SIZE	DIM. "A"	DIM. "B"	DIM. "C"
A-42063-88XXXX	8	8	.615/(15.62)	.450/(11.43)	.350/(8.89)
A-42063-86XXXX	8	6	↑	↑	.250/(6.35)
A-42063-84XXXX	8	4	↓	↓	.150/(3.81)
A-42063-82XXXX	8	2	.615/(15.62)	.450/(11.43)	.050/(1.27)

NOTES:
 1) RECOMMENDED BOARD LAYOUTS ARE SHOWN AS COMPONENT SIDE OF BOARD.
 2) HOUSING SIZES 4 AND 6 ARE NOT AVAILABLE WITH KEYING OPTION.



PC BOARD LAYOUT FOR HOUSING SIZE 8



PANEL CUT-OUT GUIDELINES

DIM. "A" MUST BE SYMMETRICAL TO DIM. "B" WITHIN .005/(0.13)

SEE SHEET ONE EC NO. UCP2004-1931 DRAWN:LSCHMIDT 2004/02/23 CHKD:LSCHMIDT 2004/02/23 APPR:FSMITH 2004/02/26	QUALITY SYMBOLS ▽ .0 ▽ .0	GENERAL TOLERANCES (UNLESS SPECIFIED)		SCALE 4:1	DESIGN UNITS INCH	THIRD ANGLE PROJECTION	REVISE ON CAD ONLY
		mm	INCH	DIMENSION STYLE IN/MM		TITLE PANEL/BOARD LAYOUTS FOR RIGHT ANGLE FLUSH MOUNT MODULAR JACK ASSEMBLIES	
REV	DESCRIPTION	4 PLACES ± --- ± ---	3 PLACES ± --- ± ---	DRAWN BY GLT	DATE 1990/05/21	MATERIAL NO. MOLEX INCORPORATED	
		2 PLACES ± --- ± ---	1 PLACE ± --- ± ---	CHECKED BY BAP	DATE 1990/05/21	DOCUMENT NO. SDA-42063-*****	SHEET NO. 3 OF 3
ANGULAR ±1/2°		DRAFT WHERE APPLICABLE MUST REMAIN WITHIN DIMENSIONS		APPROVED BY RAS	DATE 1990/05/21	THIS DRAWING CONTAINS INFORMATION THAT IS PROPRIETARY TO MOLEX INCORPORATED AND SHOULD NOT BE USED WITHOUT WRITTEN PERMISSION	

tb_frame_C_P_ME_T Rev. C 2002/05/05 12 11 10 9 8 7 6 5 4 3 2 1