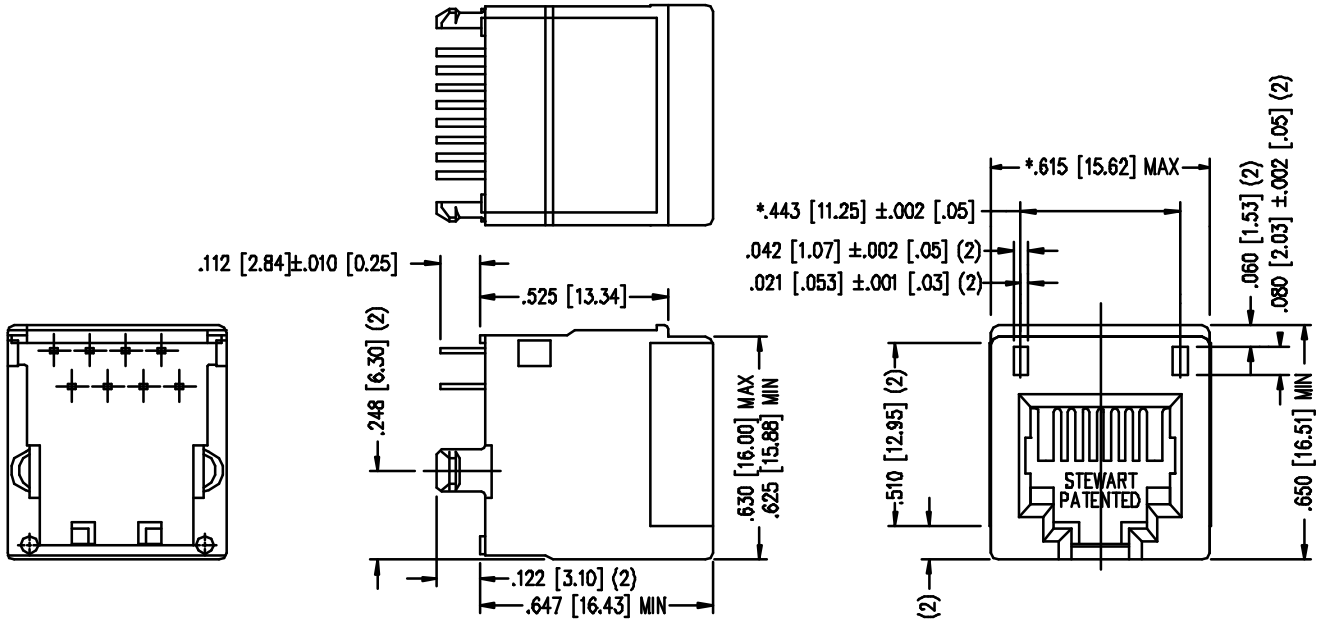


# STEWART CONNECTOR SYSTEMS, INC.

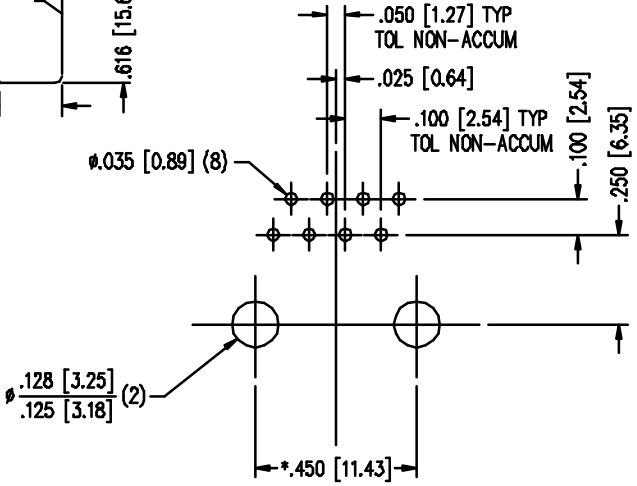
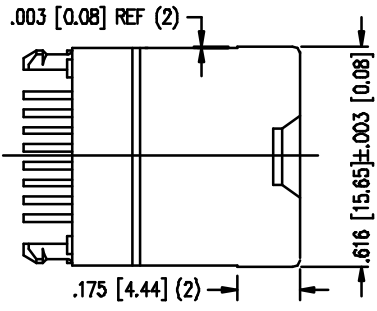
R.D. 2, BOX 2020 GLEN ROCK, PENNSYLVANIA 17327

PART NO. SS-650810-A-NF-A318 (30 MICROINCHES OF GOLD)  
 PART NO. SS-650810-A-NF-50-A318 (50 MICROINCHES OF GOLD)  
 EIGHT CONTACT, TEN POSITION; VERTICAL MOUNT JACK  
 \*-NF\* NON-FLANGE

\*-A318\* DESIGNATES HOUSING TOP LIP RAISED .015, HOUSING WIDTH INCREASED WITH RIB BY .0030,  
 AND TWO RECTANGULAR SLOTS IN PORT FACE TO BE USED BY CUSTOMER TO FASTEN AN I.D.  
 MARKER. SLOTS HAVE AN EFFECTIVE RETENTION LENGTH OF .080 [2.03].



**FOR REFERENCE  
ONLY**



NOTES:  
 - TOLERANCE COMPLY WITH F.C.C. DIMENSION REQUIREMENTS  
 ALL OTHERS ±.005 [0.13] UNLESS OTHERWISE SPECIFIED.

- DIMENSIONS SHOWN WITH \*\* TO BE CENTRAL  
 ABOUT CENTER LINE

AVAILABLE WITH:  
 - 30 & 50, MICRO-INCH SELECTIVE GOLD PLATING  
 - LOADED 1 - 10 CONTACTS

P.C.B. RECOMMENDED HOLE LAYOUT  
 SEEN FROM COMPONENT SIDE  
 TOLERANCE ±.003 [0.08] UNLESS OTHERWISE SPECIFIED

CT650096X4