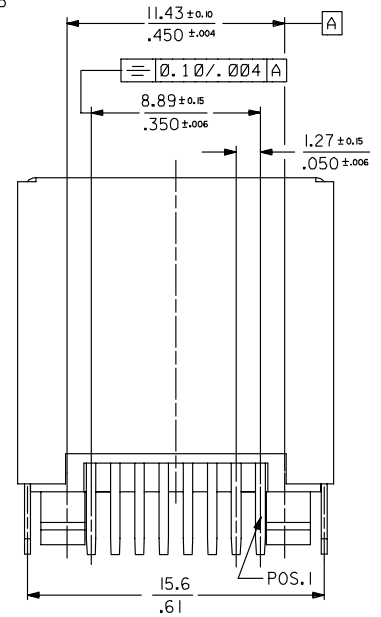
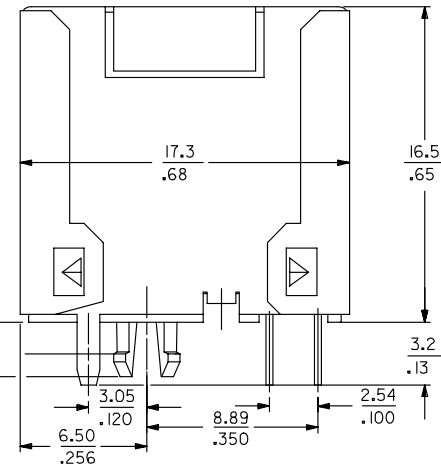
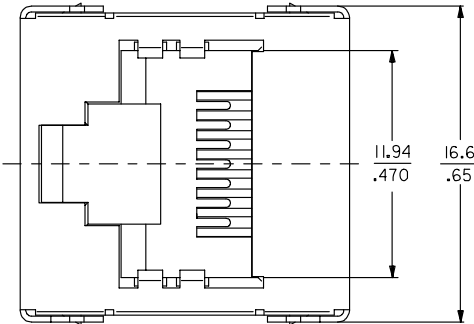
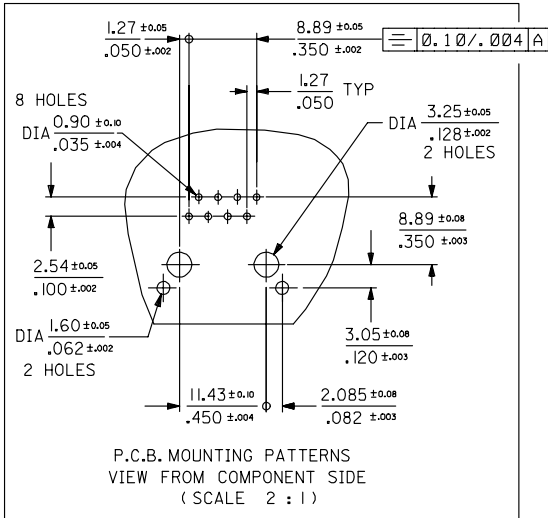


10 9 8 7 6 5 4 3 2 1

**TECHNICAL SPECIFICATIONS:**

1- MATERIAL: HOUSING: LCP GLASS FILLED UL 94 V-0  
 COLOR : BLACK  
 TERMINAL : PHOSPHOR BRONZE PLATED WITH  
 0.00127-0.00152/.000050-.000060 GOLD  
 IN CONTACT AREA , 0.00190/.000075 MIN  
 PURE TIN IN TAIL AREA BOTH OVER  
 0.00127/.000050 MIN NICKEL OVERALL  
 SHIELD : BRASS PLATED WITH 0.0020/.000078  
 MIN TIN

PART NUMBER	TOOLED	PCB THICKNESS
95623-2881	YES	1.57/.062



**NOTES :**

- 1- JACK FOR MATING WITH F.C.C. 68 PLUGS 95043 MOLEX SERIES.
- 2- PRODUCT SPECIFICATION: MOLEX PS-95622.
- 3- PACKAGING SPECIFICATION: MOLEX PK-95123.
- 4- P.C. BOARD THICKNESS (SEE CHART)

ORIGINAL RELEASE EC NO: E2007-0434 DRAWN BY: D.BYRNES 2006/11/14 CHECKED: CHIKO 2006/11/18 APPR: EOMAHONY 2006/11/30	QUALITY SYMBOLS ▽=0 ▽=0	GENERAL TOLERANCES (UNLESS SPECIFIED)		DIMENSION STYLE MM/IN		SCALE 5:1	DESIGN UNITS METRIC	THIRD ANGLE PROJECTION	
		4 PLACES	± ---	± ---	DRAWN BY	DATE	TITLE FULLY SHIELDED TOP ENTRY MODULAR JACK 8 CKTS (THROUGH HOLE VERSION) MOLEX MOLEX INCORPORATED		
		3 PLACES	± ---	± .010	CHECKED BY	DATE			
		2 PLACES	± 0.25	± .014	APPROVED BY	DATE			
1 PLACE	± 0.35	± ---	EOMAHONY	2006/11/15					
		ANGULAR ±1/2°		MATERIAL NO. 95623-2881		DOCUMENT NO. SD-95623-001		SHEET NO. 1 OF 1	
DRAFT WHERE APPLICABLE MUST REMAIN WITHIN DIMENSIONS				SIZE A3		THIS DRAWING CONTAINS INFORMATION THAT IS PROPRIETARY TO MOLEX INCORPORATED AND SHOULD NOT BE USED WITHOUT WRITTEN PERMISSION			

9 8 7 6 5 4 3 2 1