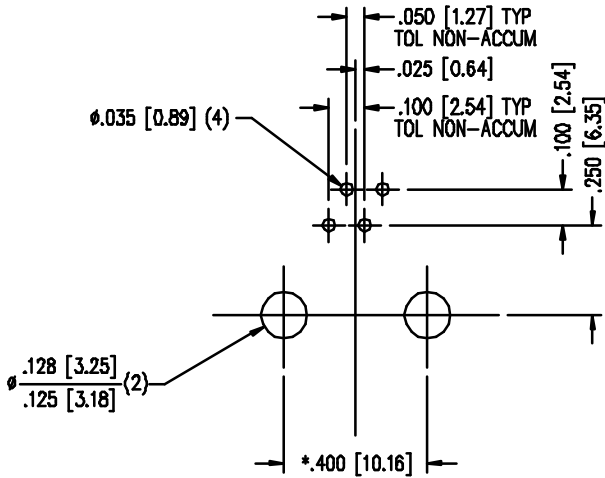
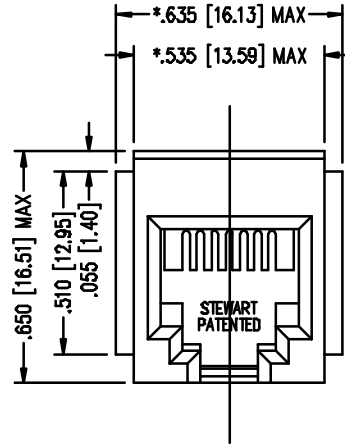
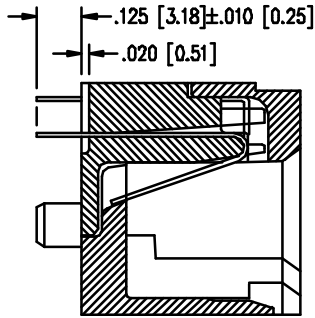


**STEWART
CONNECTOR
SYSTEMS, INC.**

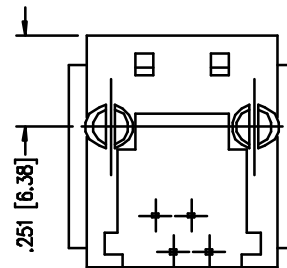
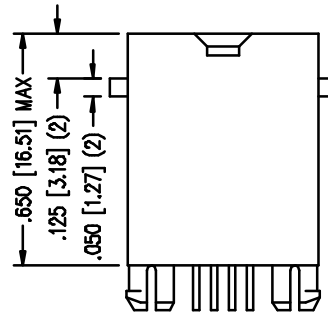
R.D. 2, BOX 2020 GLEN ROCK, PENNSYLVANIA 17327

**FOR REFERENCE
ONLY**

PART NO.: SS-6546-FLS
FOUR CONTACT, SIX POSITION, VERTICAL MOUNT JACK
"-FLS" FLANGED



P.C.B. RECOMMENDED HOLE LAYOUT
SEEN FROM COMPONENT SIDE
TOLERANCE ±.003 [0.08] UNLESS OTHERWISE SPECIFIED



NOTES:

- TOLERANCE COMPLY WITH F.C.C. DIMENSION REQUIREMENTS
ALL OTHERS ±.005 [0.13] UNLESS OTHERWISE SPECIFIED.
- DIMENSIONS SHOWN WITH "*" TO BE CENTRAL
ABOUT CENTER LINE

AVAILABLE WITH:

- 30 & 50, MICRO-INCH SELECTIVE GOLD PLATING
- LOADED 1 - 6 CONTACTS

CT650008A1