

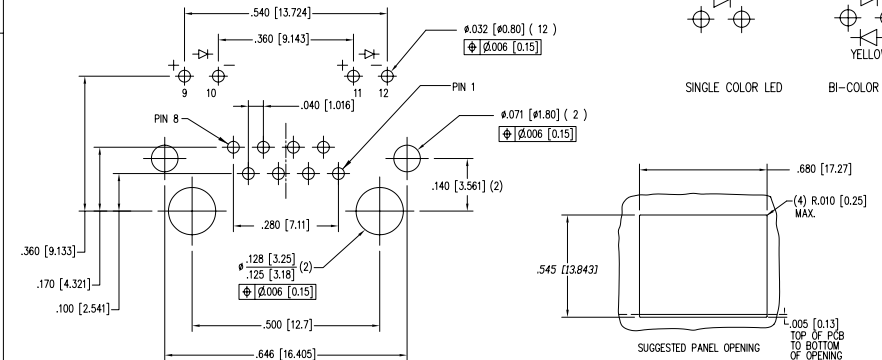
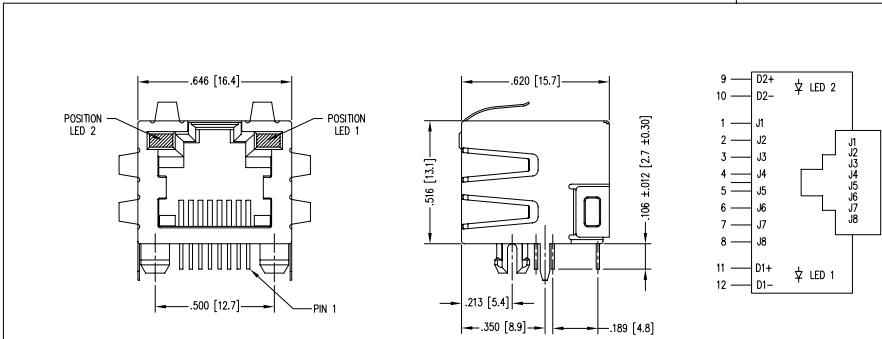
DATE	REV	ECN	APP'D. BY
5-15-06	A9	7621	TRM
6-27-06	A10	7665	TRM
10-20-08	A11	8572	TJA
11-21-08	A12	8612	TRM

LED SPECIFICATIONS			
STANDARD LED	* FORWARD VOLTAGE (MAX)	* FORWARD VOLTAGE (TYP)	WAVELENGTH
GREEN DIFFUSED	2.6 V	2.25 V	565 nm
YELLOW DIFFUSED	2.5 V	2.1 V	590 nm
RED DIFFUSED	2.5 V	2.0 V	625 nm

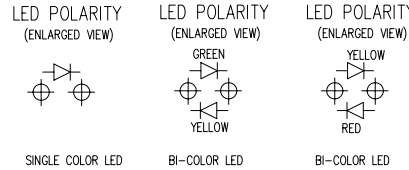
* WITH A FORWARD CURRENT OF 20 mA

MATERIAL:
 HOUSING: PBT+30%GF. UL94V-0. STANDARD COLOR: BLACK
 INSERT: PBT+30%GF. UL94V-0. STANDARD COLOR: BLACK
 LENS: PC UL94V-0. STANDARD COLOR: CLEAR
 BACK: PBT+30%GF. STANDARD COLOR: BLACK
 LED 3.2 x 2.0 x 4.0 x P=2.29mm.
 SHIELD: COPPER ALLOY (.014") THICKNESS.
 CONTACT: 0.35mm (.014") THICKNESS, 50 MICRO INCH
 SELECTIVE GOLD PLATING OVER
 NICKEL PHOSPHOR BRONZE ALLOY.
 FOR PRODUCT SPECIFICATION SEE PRO22-01

GREEN/YELLOW	GREEN/YELLOW	SS-74401-011
GREEN	RED	SS-74401-008
GREEN	GREEN	SS-74401-003
YELLOW	YELLOW	SS-74401-002
YELLOW	GREEN	SS-74401-001
POSITION 2	POSITION 1	PART NUMBER
INDICATOR COLOR		



P.C.B. RECOMMENDED HOLE LAYOUT
 SEEN FROM COMPONENT SIDE
 TOLERANCE ±.003 [0.08] UNLESS OTHERWISE SPECIFIED



THIRD ANGLE PROJECTION

DO NOT SCALE DRAWING
 DRAWING IS SUBJECT TO CHANGE WITHOUT NOTICE
 DIMENSIONS: INCHES (METRIC)
 UNLESS OTHERWISE SPECIFIED
 TOLERANCES ARE ±.005 [0.13]
 ANGLES ARE ± 1°

SHEET NO. 1 OF 1

Bel Stewart Connector

11118 Susquehanna Trail South
 Glen Rock, PA 17327-9199
 (717) 235-7512 Fax: (717) 235-7954 <http://www.stewartconnector.com>

TITLE: MODULAR JACKS, EMI-RFI ONE PIECE SHIELDED, ESD GROUND SINGLE PORT PCB, LED PAC

THIS DRAWING AND THE SUBJECT MATTER SHOWN THEREON ARE CONFIDENTIAL AND THE PROPRIETARY PROPERTY OF BEL STEWART CONNECTOR AND SHALL NOT BE REPRODUCED, COPIED, OR USED IN ANY MANNER WITHOUT PRIOR WRITTEN CONSENT OF BEL STEWART CONNECTOR. THE SUBJECT MATTER MAY BE PATENTED OR A PATENT MAY BE PENDING.

DRN BY: TRM	DATE: 9-26-01
APP'D BY: RGC	DATE: 9-26-01
DWG NO. CT740080	REV: A12



REV. 7/3/03

AutoCAD