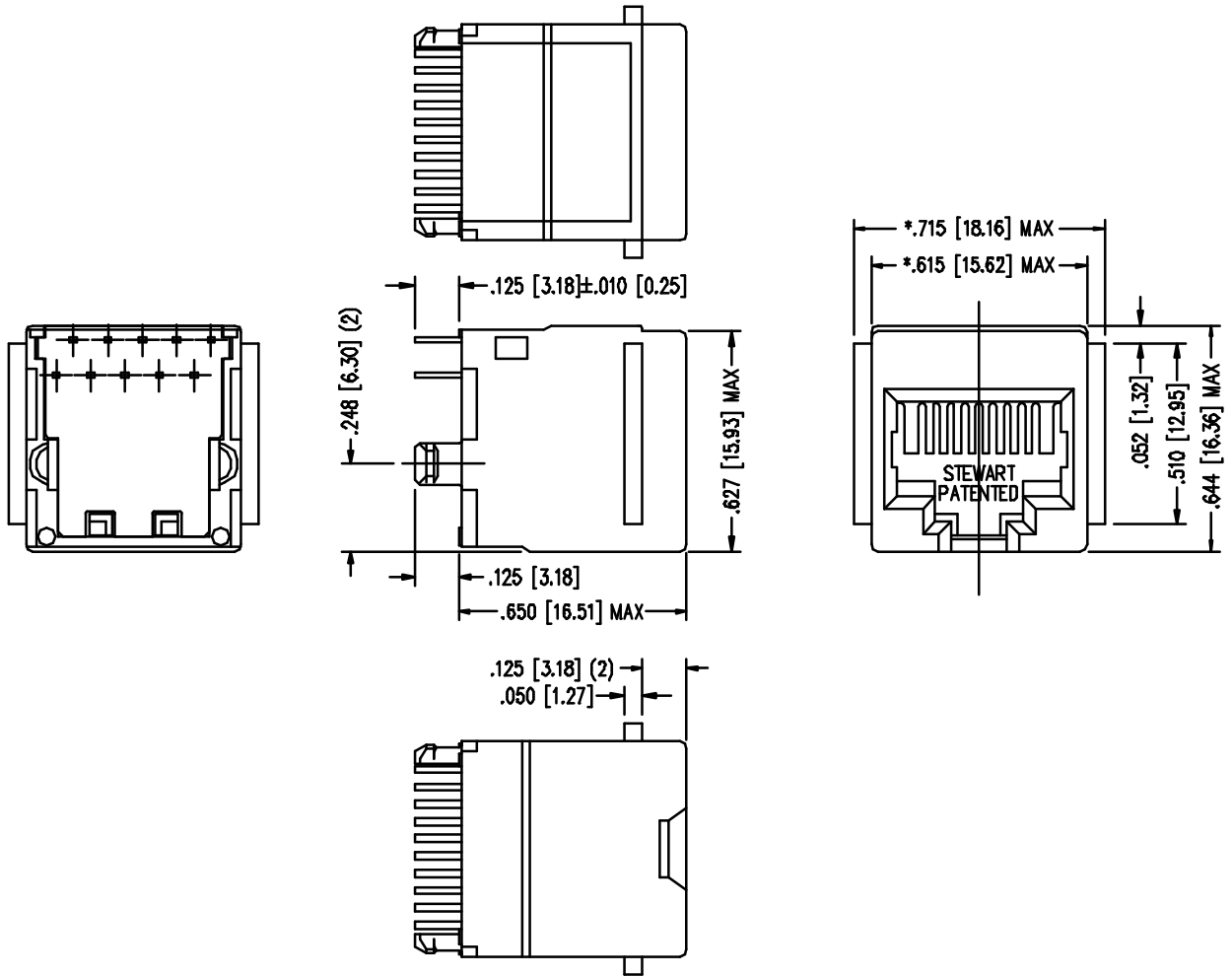


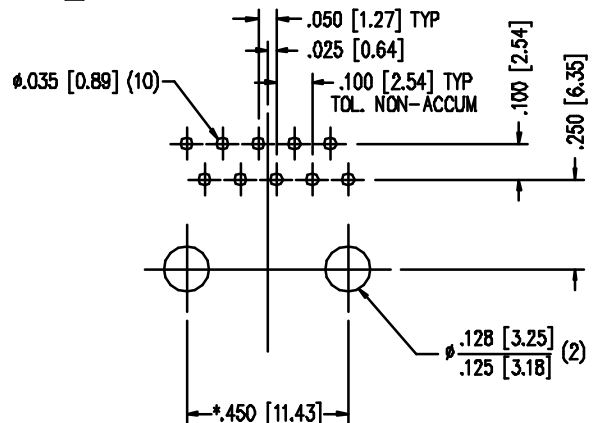
**STEWART
CONNECTOR
SYSTEMS, INC.**

R.D. 2, BOX 2020 GLEN ROCK, PENNSYLVANIA 17327

PART NO.- SS-651010-A-FLS
TEN CONTACT, TEN POSITION; VERTICAL MOUNT JACK
"-FLS" FLANGED



**FOR REFERENCE
ONLY**



NOTES:

- TOLERANCE COMPLY WITH F.C.C. DIMENSION REQUIREMENTS ALL OTHERS ±.005 [0.13] UNLESS OTHERWISE SPECIFIED.
- DIMENSIONS SHOWN WITH "*" TO BE CENTRAL ABOUT CENTER LINE

AVAILABLE WITH:

- 30 & 50, MICRO-INCH SELECTIVE GOLD PLATING
- LOADED 1 - 10 CONTACTS

P.C.B. RECOMMENDED HOLE LAYOUT
SEEN FROM COMPONENT SIDE
TOLERANCE ±.003 [0.08] UNLESS OTHERWISE SPECIFIED

CT650036C0