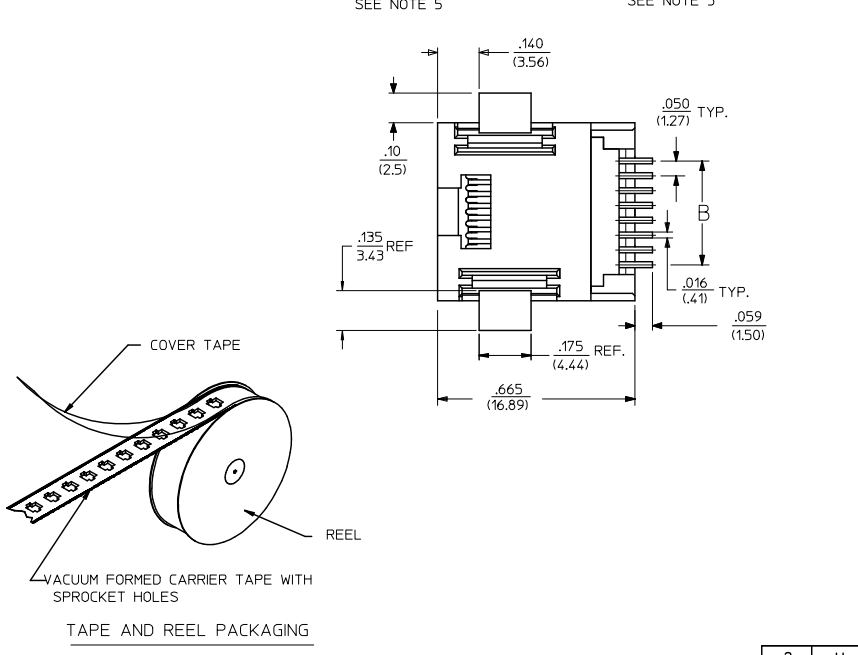


ASSEMBLY ITEM NO.	CONNECTOR SIZE	CIRCUIT SIZE	TERMINAL PLATING	TAPE & REEL PACKAGING No.	VOIDED CIRCUITS
43743-6001	6	6	A	PK-70873-7001	NA
43743-6002	6	6	B		
43743-6003	6	6	C		
43743-6101	6	4	A		
43743-6102	6	4	B		
43743-6103	6	4	C	PK-70873-7001	
43743-8101	8	8	A	PK-70873-7002	
43743-8102	8	8	B		
43743-8103	8	8	C		
43743-8201	8	6	A		
43743-8202	8	6	B		
43743-8203	8	6	C		
43743-8301	8	4	A		
43743-8302	8	4	B		
43743-8303	8	4	C	PK-70873-7002	
43743-6201	6	2	A	PK-70873-7001	
43743-6202	6	2	B	PK-70873-7001	
43743-6203	6	2	C	PK-70873-7001	NA

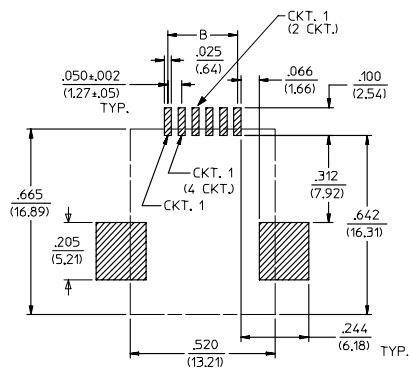
NOTES:
 1) MATERIAL:
 HOUSING & INSULATOR: NYLON(IPA), GLASS FILLED, UL94V-0, COLOR: BLACK
 TERMINALS: PHOSPHOR BRONZE, .012/(0.30) THICK
 FITTING NAILS: BRASS, .010/(0.25) THICK
 2) FINISH:
 TERMINALS:
 A = SELECT GOLD IN CONTACT AREA: .000050/(0.00127) MIN.
 *SELECT MATTE TIN IN PC TAIL AREA: .000100/(0.00254) MN.
 WITH OVERALL NICKEL UNDERPLATE: .000050/(0.00127) MIN.
 B = SELECT GOLD IN CONTACT AREA: .000030/(0.00076) MIN.
 *SELECT MATTE TIN IN PC TAIL AREA: .000100/(0.00254) MN.
 WITH OVERALL NICKEL UNDERPLATE: .000050/(0.00127) MIN.
 C = SELECT GOLD IN CONTACT AREA: .000015/(0.00038) MIN.
 *SELECT MATTE TIN IN PC TAIL AREA: .000100/(0.00254) MN.
 WITH OVERALL NICKEL UNDERPLATE: .000050/(0.00127) MIN.
 FITTING NAILS:
 *100 MICROINCHES MATTE TIN OVER 50 MICROINCHES NICKEL UNDERPLATE
 *THE PRIMARY SHIPPING CARTON WILL BE LABELED "COMPLIANT TO RoHS DIRECTIVE 2002/95/EC AND ELV ANNEX II OF DIRECTIVE 2000/53/EC".
 CARTONS WITHOUT THIS LABEL MAY CONTAIN PRODUCT WITH TIN-LEAD IN THE PC TAILS AND/OR FITTING NAILS.
 3) PRODUCT SPECIFICATION AND PROCESSING PARAMETERS: PS-43743-0001.
 4) PACKAGING SPECIFICATION:
 CONNECTOR ASSEMBLIES TO BE PACKAGED USING TAPE & REEL SYSTEM.
 5) COPLANARITY SPECIFICATION:
 WHEN AN ASSEMBLY IS PLACED UPON A LEVEL SURFACE, THE MAXIMUM GAP BETWEEN THE LEVEL SURFACE AND ALL TERMINAL TAILS AND BOTH FITTING NAILS IS .006/(0.15).
 6) FOR ASSEMBLIES HAVING VOIDED CIRCUITS, THE TAIL PORTION IS CUT AND REMOVED. THE MATING PORTION OF THE TERMINAL REMAINS INTACT. VOIDED CIRCUITS MUST BE THE SAME FOR BOTH PARTS.
 7) CONFORMS TO FCC REGULATION PART 68.5 FOR MODULAR JACKS.
 8) THIS PART CONFORMS TO CLASS B REQUIREMENTS OF COSMETIC SPECIFICATION PS-45499-002.



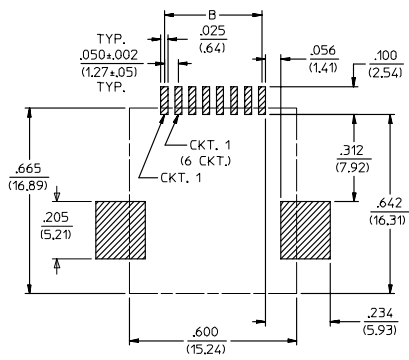
2	H
1	J3
SHT	REV

REVISED NOTES EC NO. UCP2009-1244 DRAWN: JKLUSTMEIER 2008/12/10 CHKD: JRELL 2008/12/10 APPROV: SMITH 2008/12/10 J3	QUALITY SYMBOLS ▽=0 ▽=0	GENERAL TOLERANCES (UNLESS SPECIFIED): mm INCH		DIMENSION STYLE IN/MM		SCALE 1:1		DESIGN UNITS INCH		THIRD ANGLE PROJECTION		
		4 PLACES ±.010 ±.010	3 PLACES ±.010 ±.010	2 PLACES ±.025 ±.014	1 PLACE ±.036 ±.014	DRAWN BY PEARSON	DATE 6/18/96	TITLE SURFACE MOUNT MODULAR JACK				
		ANGULAR ±1/2°				DRAFT WHERE APPLICABLE MUST REMAIN WITHIN DIMENSIONS	SEE CHARTS	MATERIAL NO. SDA-43743-****				
						APPROVED BY EDGLEY		DATE 6/18/96	DOCUMENT NO. SDA-43743-****			

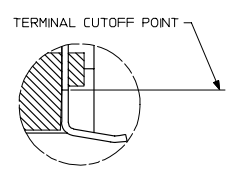
13 12 11 10 9 8 7 6 5 4 3 2 43743



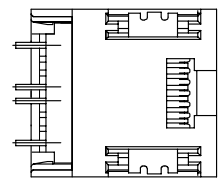
PC BOARD LAYOUT FOR 6 POSITION HOUSING (COMPONENT SIDE OF BOARD)



PC BOARD LAYOUT FOR 8 POSITION HOUSING (COMPONENT SIDE OF BOARD)



VIEW SHOWING TYPICAL TERMINAL CUTOFF OF TAIL (SEE NOTE 5) FOR VOIDED CIRCUITS.



TYPICAL VIEW SHOWING VOIDED CIRCUIT (CIRCUITS 2,3,6 & 7 SHOWN VOIDED)

SEE SHEET ONE EC NO. UCP2004-0798 DRAWN:LSCHMIDT 2004/01/05 CHKD:LSCHMIDT 2004/01/05 APPR:FSMITH 2004/01/08	QUALITY SYMBOLS	GENERAL TOLERANCES (UNLESS SPECIFIED)	SCALE ---	DESIGN UNITS INCH	THIRD ANGLE PROJECTION	REVISE ON CAD ONLY															
	▽ .0 ∇ .0	<table border="1"> <thead> <tr> <th></th> <th>mm</th> <th>INCH</th> </tr> </thead> <tbody> <tr> <td>4 PLACES</td> <td>± .---</td> <td>± .---</td> </tr> <tr> <td>3 PLACES</td> <td>± .---</td> <td>± .010</td> </tr> <tr> <td>2 PLACES</td> <td>± .025</td> <td>± .014</td> </tr> <tr> <td>1 PLACE</td> <td>± .036</td> <td>± .---</td> </tr> </tbody> </table>		mm	INCH	4 PLACES	± .---	± .---	3 PLACES	± .---	± .010	2 PLACES	± .025	± .014	1 PLACE	± .036	± .---	DIMENSION STYLE IN/MM DRAWN BY PEARSON DATE 06/18/96 CHECKED BY PEARSON DATE 06/18/96 APPROVED BY EDGLEY DATE 06/18/96	TITLE	SURFACE MOUNT MODULAR JACK MOLEX INCORPORATED MATERIAL NO. SEE TABLE DOCUMENT NO. SDA-43743-**** SHEET NO. 2 OF 2	
		mm	INCH																		
	4 PLACES	± .---	± .---																		
3 PLACES	± .---	± .010																			
2 PLACES	± .025	± .014																			
1 PLACE	± .036	± .---																			
DESCRIPTION	DRAFT WHERE APPLICABLE MUST REMAIN WITHIN DIMENSIONS	THIS DRAWING CONTAINS INFORMATION THAT IS PROPRIETARY TO MOLEX INCORPORATED AND SHOULD NOT BE USED WITHOUT WRITTEN PERMISSION																			
REV																					

12 11 10 9 8 7 6 5 4 3 2 1