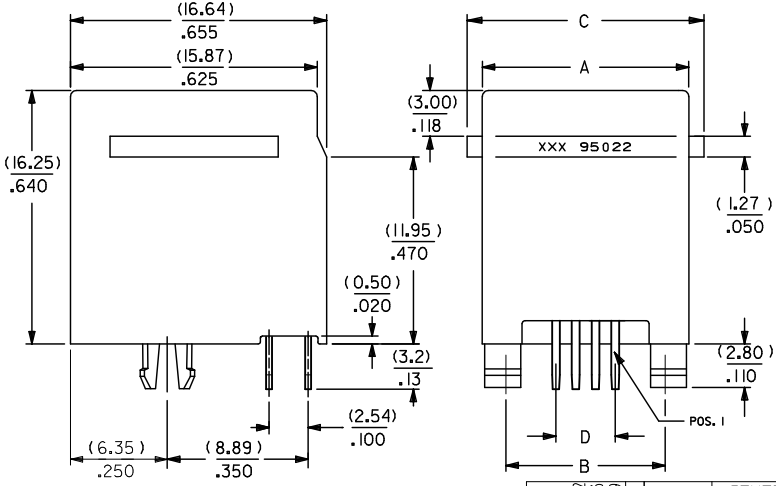
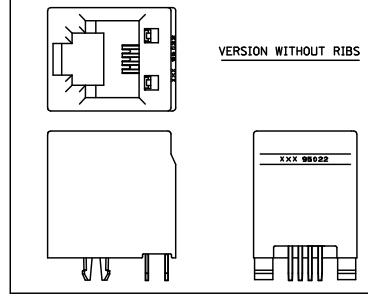
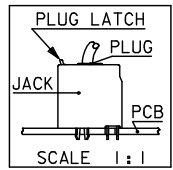
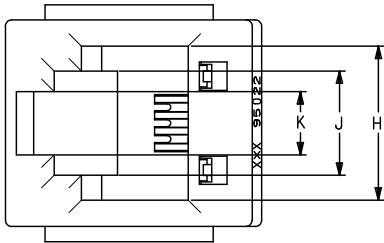


10 9 8 7 6 5 4 3 2 1



NOTES :

- 1- MATERIAL:**
- HOUSING: LCP FIBER GLASS FILLED 94-V-0
COLOR BLACK.
 - TERMINAL: BRASS
FINISH 2
 - POST PLATE (0.00127-0.00152)/.000050-.000060
GOLD IN CONTACT AREA (0.00190)/.000075 MIN.
PURE TIN IN TAIL AREA BOTH OVER (0.00127)/
.000050 MIN. NICKEL OVERALL.
 - 2- PC BOARD THICKNESS : (1.57) / .062 .
 - 3- JACK FOR MATING WITH F.C.C. 68 PLUGS 90075 MOLEX SERIES .
 - 4- PRODUCT SPECIFICATION PS-95522-001.
 - 5- APPLICATION SPECIFICATION AS-85513-001
 - 6- PACKAGING SPECIFICATION PK-95022, (SHT.1 TRAY PACKAGING)
PK-95022, (SHT.2 TUBE PACKAGING)
 - 7- FOR ILLUSTRATION PURPOSES A 4 CIRCUIT IS SHOWN.
 - 8- PACKAGING SPECIFICATION RPK-95022-001 (TUBE PACKAGING).
 - 9- MANUFACTURING I.D. CAN BE EITHER MG, MXF OR MXI.

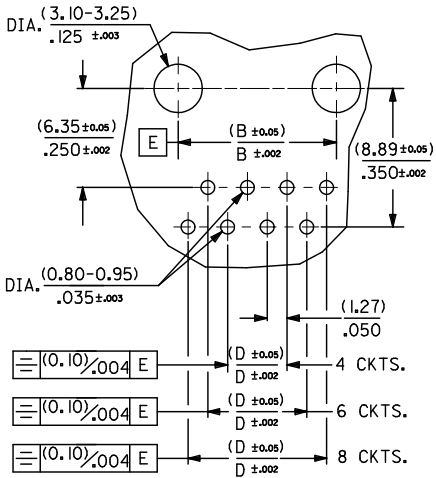
ADDED PART No. E2209-0420 DRWN:DBRYNES 2009/03/06 CHKD: 2009/03/06 APPR: J WALLACE 2009/03/09	QUALITY SYMBOLS ▽=0 ▽=0	GENERAL TOLERANCES (UNLESS SPECIFIED)		DIMENSION STYLE MM/IN	SCALE 1:1	DESIGN UNITS METRIC	THIRD ANGLE PROJECTION	
		4 PLACES ± --- ± ---	mm INCH	DRAWN BY KNOLLER	DATE 04/08/27	TITLE HIGH PROFILE TOP ENTRY JACK		
		3 PLACES ± --- ± .010		CHECKED BY FCARABET	DATE 04/08/30	MOLEX INCORPORATED		
		2 PLACES ± 0.25 ± .014 1 PLACE ± 0.35 ± --- ANGULAR ± 2 °		APPROVED BY KNOLLER	DATE 04/08/30	MATERIAL NO. SEE CHART SHT. 2	DOCUMENT NO. SD-95522-001	SHEET NO. 1 OF 3
DRAFT WHERE APPLICABLE MUST REMAIN WITHIN DIMENSIONS		THIS DRAWING CONTAINS INFORMATION THAT IS PROPRIETARY TO MOLEX INCORPORATED AND SHOULD NOT BE USED WITHOUT WRITTEN PERMISSION						

9 8 7 6 5 4 3 2 1

10 9 8 7 6 5 4 3 2 1

PART NUMBERS FOR JACK WITH RIBS									
TYPE	PACKAGING	POS. 4	TOOLED	POS. 6	TOOLED	POS. 6	TOOLED	POS. 8	TOOLED
		4 CKTS.		4 CKTS.		6 CKTS.		8 CKTS.	
FINISH 2	TRAY	95522-2447	X	95522-2647	X	95522-2667	X	95522-2887	X
	TUBE					95522-2617	X		
						SEE NOTE 8 SH.1			

PART NUMBERS FOR JACK WITHOUT RIBS									
TYPE	PACKAGING	POS. 4	TOOLED	POS. 6	TOOLED	POS. 6	TOOLED	POS. 8	TOOLED
		4 CKTS.		4 CKTS.		6 CKTS.		8 CKTS.	
FINISH 2	TRAY	95522-2441	X	95522-2641	X	95522-2661	X	95522-2881	
	TUBE					95522-2611	X		



MOUNTING HOLE PATTERNS
(SEE FROM COMPONENT SIDE)

DIM.	TYPE	POS. 4	POS. 6		POS. 8
		4 CKTS.	4 CKTS.	6 CKTS.	8 CKTS.
A		(11.18) / .440	(13.21) / .520	(13.21) / .520	(15.24) / .600
B		(7.62) / .300	(10.16) / .400	(10.16) / .400	(11.43) / .450
C	(WITH RIBS)	(14.00) / .551	(16.00) / .630	(16.00) / .630	(18.00) / .709
D		(3.81) / .150	(3.81) / .150	(6.35) / .250	(8.89) / .350
H		(7.82) / .308	(9.88) / .389	(9.88) / .389	(11.94) / .470
J		(5.64) / .222	(6.70) / .264	(6.70) / .264	(6.30) / .248
K		(3.07) / .121	(4.06) / .160	(4.06) / .160	(4.06) / .160

ADDED 95522-2611 EC NO: E2009-0420 DRWN: DRYNES 2009/03/02 CHYK: 2009/03/06 APPR: WALLACE 2009/03/09	QUALITY SYMBOLS	GENERAL TOLERANCES (UNLESS SPECIFIED) mm INCH 4 PLACES ± --- ± --- 3 PLACES ± --- ± .010 2 PLACES ± 0.25 ± .014 1 PLACE ± 0.35 ± --- ANGULAR ± 2° DRAFT WHERE APPLICABLE MUST REMAIN WITHIN DIMENSIONS	DIMENSION STYLE	SCALE	DESIGN UNITS	THIRD ANGLE PROJECTION	
			MM/IN	1:1	METRIC		
			DRAWN BY	DATE	TITLE		
			KNOLLER	04/08/27	HIGH PROFILE TOP ENTRY JACK		
	CHECKED BY	DATE	APPROVED BY				
	FCARABET	04/08/30	KNOLLER				
	APPROVED BY	DATE	MATERIAL NO.				
	KNOLLER	04/08/30	SEE CHART				
			DOCUMENT NO.		SHEET NO.		
			SD-95522-001		2 OF 3		
THIS DRAWING CONTAINS INFORMATION THAT IS PROPRIETARY TO MOLEX INCORPORATED AND SHOULD NOT BE USED WITHOUT WRITTEN PERMISSION							

9 8 7 6 5 4 3 2 1