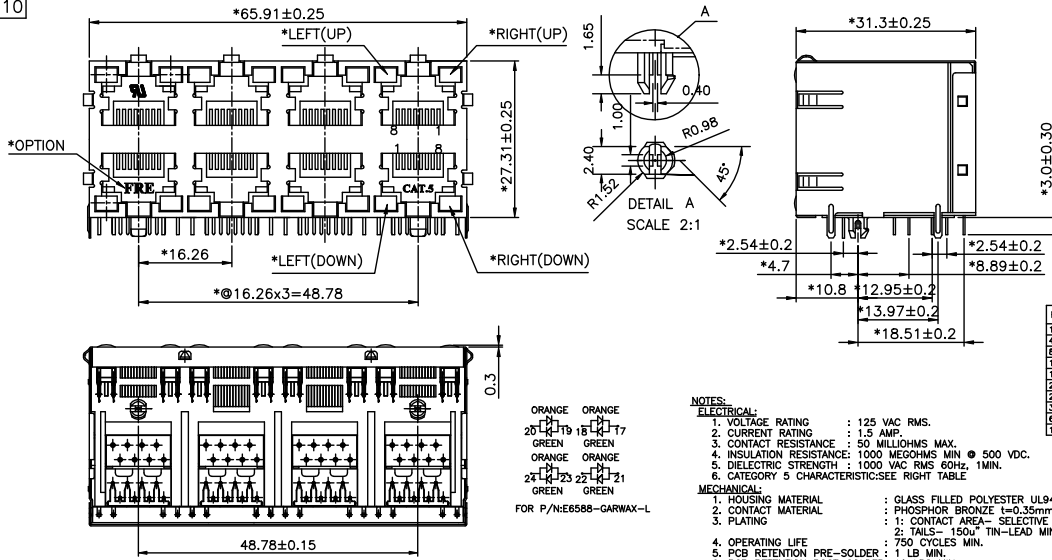


A1RFRD10

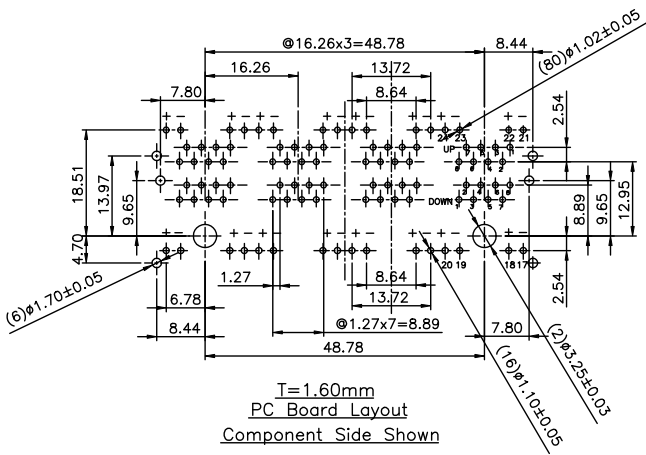


REVISION RECORD				
REV	ECO	DESCRIPTION	DRFT	CHKD

Frequency	Near-End Cross Talk dB. MIN.	Return Loss dB. MIN.	Attenuation dB. MAX.
1.0 MHz	65	23	0.1
4.0 MHz	65	23	0.1
8.0 MHz	62	23	0.1
10.0 MHz	60	23	0.1
16.0 MHz	58	23	0.2
20.0 MHz	54	23	0.2
25.0 MHz	52	14	0.2
31.25 MHz	50	14	0.2
62.5 MHz	44	14	0.3
100.0 MHz	40	14	0.4

ORANGE ORANGE
 25 19 18 17
 GREEN GREEN
 ORANGE ORANGE
 24 23 22 21
 GREEN GREEN
 FOR P/N: E6588-GARWAX-L

- NOTES:
- ELECTRICAL:
- VOLTAGE RATING : 125 VAC RMS.
 - CURRENT RATING : 1.5 AMP.
 - CONTACT RESISTANCE : 50 MILLIOHMS MAX.
 - INSULATION RESISTANCE: 1000 MEGOHMS MIN @ 500 VDC.
 - DIELECTRIC STRENGTH : 1000 VAC RMS 60HZ, 1MIN.
 - CATEGORY 5 CHARACTERISTIC: SEE RIGHT TABLE
- MECHANICAL:
- HOUSING MATERIAL : GLASS FILLED POLYESTER UL94V-0.
 - CONTACT MATERIAL : PHOSPHOR BRONZE (t=0.35mm C5210EH).
 - PLATING : 1 CONTACT AREA- SELECTIVE GOLD PLATING.
 2 TAILS- 150u" TIN-LEAD MIN OVER 30u"-50u" NICKEL.
 - OPERATING LIFE : 750 CYCLES MIN.
 - PCB RETENTION PRE-SOLDER : 1 LB MIN.
 - PCB RETENTION POST-SOLDER: 10 LBS MIN.
 - LED COLOR : OPTION.
- ENVIRONMENTAL:
- STORAGE : -40°C TO +85°C.
 - OPERATION: 0°C TO +70°C.
 - WAVE SOLDERING TEMPERATURE: 230°C~250°C (5~10 SECONDS)



MATES WITH MODULAR PLUG CONFORMING TO FCC PART 68, SUBPART F.

UL & CUL FILE NO. E163191

PART NUMBER: E6588-GARWAX-L

Gold Thickness:
 1- 3u" 2- 6u" 3- 15u" 4- 30u" 5- 50u"

A- W/ "FRE" LOGO
 G- W/O "FRE" LOGO

L- LEFT:GREEN RIGHT:GREEN (UP & DOWN)
 R- LEFT:GREEN RIGHT:ORANGE (UP & DOWN)
 S- LEFT:GREEN RIGHT:YELLOW (UP & DOWN)
 T- (UP)LEFT:GREEN ,RIGHT:YELLOW ,(DOWN)LEFT:YELLOW ,RIGHT:GREEN
 U- LEFT:YELLOW ,RIGHT:GREEN (UP & DOWN)
 V- (UP)LEFT:ORANGE ,RIGHT:GREEN ,(DOWN)LEFT:YELLOW ,RIGHT:GREEN
 W- LEFT:G+O ,RIGHT:G+O (UP & DOWN)

MM (INCH)	DFTO YANGLAN DATE 08/12/05	FULL RISE ELECTRONIC CO., LTD
TOLERANCES EXCEPT AS NOTED	CHKD: msc DATE 08/09/05	
MM	MFO DATE	TITLE
.0 ±0.2	APPL: ussmc DATE 08/09/05	2X4 CAT.5 LED JACK
.00 ±0.15	MATERIAL :	DRAWING NO. GE653A11-LC
.000 ±0.075	QTY :	7/PART NO. SEE NOTE
ANGLES ± 0.5	FINISH :	SIZE REV A3 0
THIRD ANGLE PROJECTION	SCALE : 1.5 : 1	DO NOT SCALE DRAWING SHEET 1 OF 1