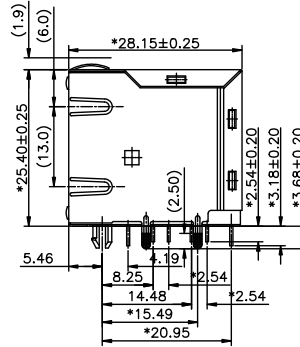
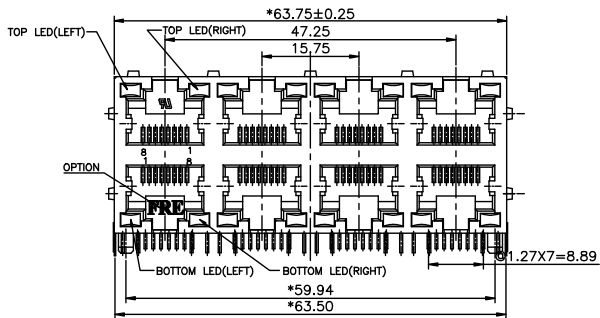


E1RFRD03

REVISION RECORD				
REV	ECO	DESCRIPTION	DRFT	CHKD



NOTES:

ELECTRICAL:

1. VOLTAGE RATING : 125 VAC RMS.
2. CURRENT RATING : 1.5 AMP.
3. CONTACT RESISTANCE : 50 MILLIOHMS MAX.
4. INSULATION RESISTANCE : 1000 MEGOHMS MIN @ 500 VDC.
5. DIELECTRIC STRENGTH : 1000 VAC RMS 60Hz, 1MIN.

MECHANICAL:

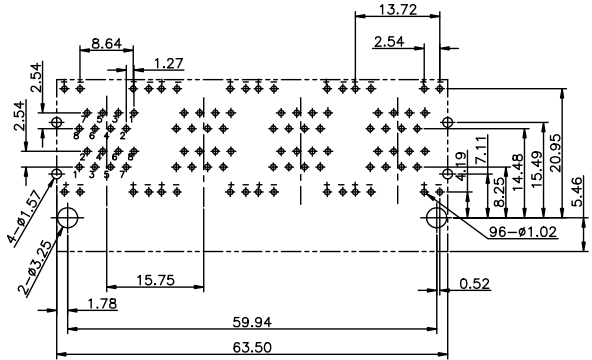
1. HOUSING MATERIAL : FR52 UL94V-0.
2. INSERT MATERIAL : FR50 UL94V-0.
3. CONTACT MATERIAL : PHOSPHOR BRONZE T=0.35mm.
4. PLATING : 1: CONTACT AREA- SELECTIVE GOLD PLATING.
2: TAILS- 150u" TIN-LEAD MIN OVER 50u" NICKEL.
5. OPERATING LIFE : 750 CYCLES MIN.
6. PCB RETENTION PRE-SOLDER: 1 LB MIN.
7. PCB RETENTION POST-SOLDER: 10 LBS MIN.

ENVIRONMENTAL:

1. STORAGE: -40°C TO +85°C.
2. OPERATION: 0°C TO 70°C.
3. WAVE SOLDERING TEMPERATURE: 230~250°C(3~5SECONDS)

MATES WITH MODULAR PLUG CONFORMING TO

FCC PART 68, SUBPART F.
FUL PART NO:E163191
PART NUMBER: ESJ88-L4TFC4-L



PCB LAYOUT

DEPARTED UNITS MM .0 ±0.20 ± .00 ±0.15 ± .000 ±0.075 ±	MM	DATE 07/10/05*	FULL RISE ELECTRONIC CO., LTD	
	(INCH)	CHKD	TITLE	
	TOLERANCES EXCEPT AS NOTED	DATE	2*4 LED JACK (PITCH=15.75)	
		INFO	DRAWING NO. GESJ3P05-LB	
	APPL. XLF	DATE 07/13/05*	/PART NO. SEE NOTE	
	MATERIAL :	QTY :		SIZE A3
	ANGLES :	FINISH :		REV 0
	THIRD ANGLE PROJECTION	SCALE : 1:1		DO NOT SCALE DRAWING
		SHEET X		OF Y

8

7

6

5

4

3

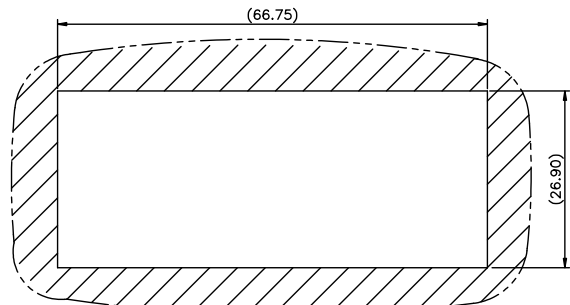
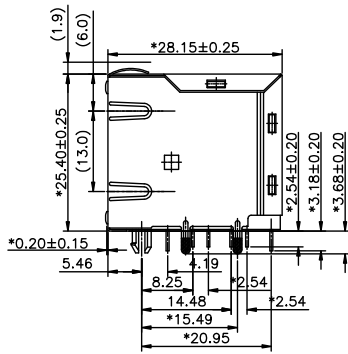
2

1

H
G
F
E
D
C
B
A

E1RFRD03

REVISION RECORD				
REV	ECO	DESCRIPTION	DRFT	CHKD



RECOMMENDED PANEL CUTOUT

NOTES:

ELECTRICAL:

- VOLTAGE RATING : 125 VAC RMS.
- CURRENT RATING : 1.5 AMP.
- CONTACT RESISTANCE : 50 MILLIOHMS MAX.
- INSULATION RESISTANCE : 1000 MEGOHMS MIN @ 500 VDC.
- DIELECTRIC STRENGTH : 1000 VAC RMS 60HZ, 1MIN.
- CATEGORY 5 CHARACTERISTIC(1&2,3&6):

Frequency	Near-End Cross Talk dB, MIN.	Return Loss dB, MIN.	Attenuation dB, MAX.
1.0 MHZ	65	23	0.1
4.0 MHZ	65	23	0.1
8.0 MHZ	62	23	0.1
10.0 MHZ	60	23	0.1
16.0 MHZ	56	23	0.2
20.0 MHZ	54	23	0.2
25.0 MHZ	52	14	0.2
31.25 MHZ	50	14	0.2
62.5 MHZ	44	14	0.3
100.0 MHZ	40	14	0.4

MM (INCH) TOLERANCES EXCEPT AS NOTED .0 ±0.20 ± .00 ±0.15 ± .000 ±0.075 ±		DFTD: WJW CHKD: DATE WFO: DATE APPVL: XLF DATE MATERIAL:	DATE 07/10/05 DATE DATE 07/13/05 DATE QTY:	FULL RISE ELECTRONIC CO., LTD TITLE 2*4 LED JACK (PITCH=15.75)
ANGLES ± THIRD ANGLE PROJECTION		FINISH:	SCALE: 1:1	DRAWING NO. GESJ3P05-LB /PART NO. SEE NOTE DO NOT SCALE DRAWING
			SIZE A3 REV 0	SHEET X OF Y

8 | 7 | 6 | 5 | 4 | 3 | 2 | 1

H
G
F
E
D
C
B
A