

4

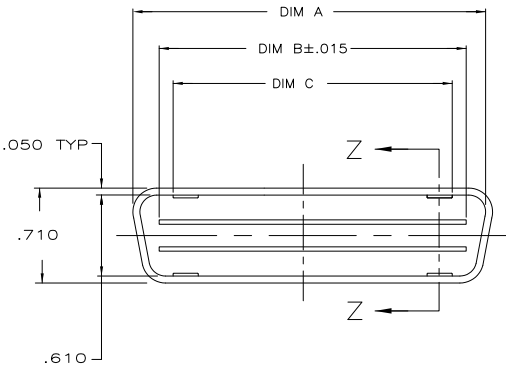
3

2

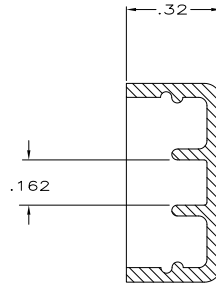
1

THIS DRAWING IS UNPUBLISHED. RELEASED FOR PUBLICATION  
 © COPYRIGHT BY TYCO ELECTRONICS CORPORATION. ALL RIGHTS RESERVED.

LOC		DIST		REVISIONS			
AA	40	F	LW	REVISED PER ECN 0513-0621-04	DATE	OWN	APPD
		K			07MAR06	JDP	WLM
		K1		REV PER ECO-09-021826	02AUG09	KK	AEG



1. ALL DIMENSIONS SHOWN ARE FOR REFERENCE ONLY UNLESS OTHERWISE SPECIFIED.  
 △ OBSOLETE PARTS: OBSOLETE CIS STREAMLINING PER D.RENAUD/D.SINISI



SECTION Z-Z  
SCALE 4:1



△ OBSOLETE	.662	1.160	1.260	14	229968-5
△ OBSOLETE	1.087	1.585	1.685	24	229968-4
OBSOLETE	1.597	2.090	2.190	36	229968-3
	2.787	3.285	3.385	64	229968-2
	2.192	2.715	2.815	50	229968-1
	DIM. C	DIM. B	DIM. A	POSITION	PART NO.

THIS DRAWING IS A CONTROLLED DOCUMENT.		DWG	OP	12 MAR 84	Tyco Electronics Corporation Harrisburg, PA 17105-3608	
DIMENSIONS: mm [INCHES]		CHK	N	18 MAR 84	COVER, DUST, PLUG, CHAMP	
TOLERANCES UNLESS OTHERWISE SPECIFIED:		APP	J	21 MAR 84	RESTRICTED TO	
0 PLC	± .005	PRODUCT SPEC		SIZE CASE CODE DRAWING NO		
1 PLC	± .005	APPLICATION SPEC		A2 00779 C-229968		
2 PLC	± .005	MATERIAL		WEIGHT		
3 PLC	± .005	FINISH		CUSTOMER DRAWING		
4 PLC	± .005	MATERIAL		SCALE 2:1 SHEET 1 of 1 REV K1		
ANGLES	± .005	FINISH				