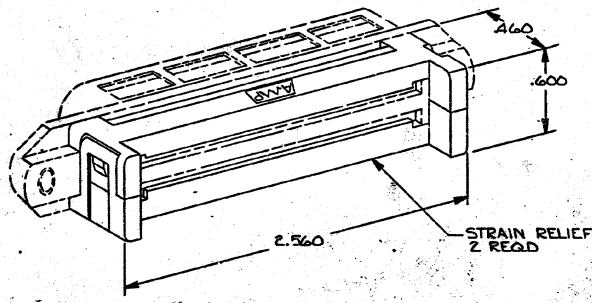


DRAWING MADE IN THIRD ANGLE PROJECTION

© COPYRIGHT 1974 BY AMP INCORPORATED, HARRISBURG, PA.
 ALL INTERNATIONAL RIGHTS RESERVED. AMP INCORPORATED PRODUCTS
 COVERED BY U. S. AND FOREIGN PATENTS AND/OR PATENTS PENDING.

REVISIONS					
P	F	ZONE/LTR	DESCRIPTION	DATE	APPROVED
N			SUPSD-1,085-4; EGN AA-3253	8/29/80	[Signature]



LOW PROFILE

1. STRAIN RELIEFS ARE SHOWN ASSEMBLED, HOWEVER, THEY ARE SHIPPED NOT ASSEMBLED.
2. ALL DIMENSIONS SHOWN ARE FOR REFERENCE ONLY UNLESS OTHERWISE SPECIFIED.

LOW PROFILE	GRAY	1-552027-4
	BLACK	1-552027-1
DESCRIPTION	COLOR	PART NO

UNLESS OTHERWISE SPECIFIED DIMENSIONS ARE IN INCHES. TOLERANCES ON: DECIMALS ± .010 ANGLES ± .1°	CONTRACT NO.	AMP AMP INCORPORATED Harrisburg, Pa.		
	DR. <i>R.W. Sipes</i> 2-18-80	NAME		
	CHK. <i>V.S. Steel</i> 4/21/80	STRAIN RELIEF, 50 POSN, CHAMP		
	APPRO. <i>[Signature]</i> 4/21/80	SIZE	CODE IDENT NO	DRAWING NO
MATERIAL	DSGN APPD	C	00779	552027
THERMOPLASTIC	OTHER APPD	SCALE 2:1		SHEET 1 OF 1
FINISH		CUSTOMER DRAWING		

1552027

A