

4

3

2

1

THIS DRAWING IS UNPUBLISHED.

RELEASED FOR PUBLICATION

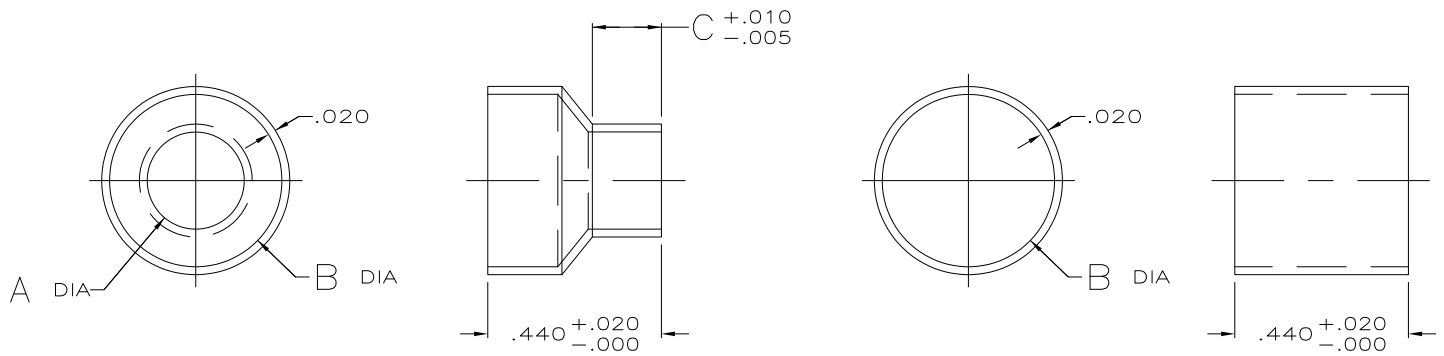
ALL RIGHTS RESERVED.

COPYRIGHT - By -

LOC
GP 00

REVISIONS

P	LTR	DESCRIPTION	DATE	DWN	APVD
K3		REVISED PER ECO-11-004835	11MAR11	RK	HMR



STYLE I (STEPPED)

STYLE II (STRAIGHT)

	△	I I	.460-.400	-	.460	-	3-747579-6
	△	I	.375-.324	.175	.437	.375	3-747579-4
	△	I	.324-.246	.175	.437	.324	3-747579-2
	△	I	.246-.165	.175	.437	.246	3-747579-0
	△	I I	.437-.375	-	.437	-	2-747579-7
OBSOLETE	△	I I	.460-.400	-	.460	-	1-747579-4
OBSOLETE	△	I I	.437-.375	-	.437	-	1-747579-2
OBSOLETE	△	I	.375-.324	.175	.437	.375	1-747579-1
OBSOLETE	△	I	.324-.246	.175	.437	.324	1-747579-0
OBSOLETE	△	I	.246-.165	.175	.437	.246	747579-8
FINISH		STYLE	INSULATION RANGE DIAMETER, REF	C	B	A	PART NUMBER

△ .000200 MIN BRIGHT TIN-LEAD OVER .000100 MIN COPPER.

△ .000200 MIN BRIGHT TIN OVER .000100 MIN COPPER.

THIS DRAWING IS A CONTROLLED DOCUMENT.		DWN B. MCMASTER 21MAY04	TE Connectivity	
DIMENSIONS: INCHES		CHK J. GERACE 21MAY04		
TOLERANCES UNLESS OTHERWISE SPECIFIED:		APVD M. WALMSLEY 21MAY04	NAME FERRULE, OUTER, SIZES 1 THRU 3, SHIELDING HARDWARE, AMPLIMITE®	
0 PLC ± - 1 PLC ± - 2 PLC ± - 3 PLC ± .005 4 PLC ± - ANGLES ± -		PRODUCT SPEC -	RESTRICTED TO	
MATERIAL STEEL, ANNEALED		APPLICATION SPEC -	SIZE A3	CAGE CODE 00779
FINISH SEE TABLE		WEIGHT -	DRAWING NO C-747579	SCALE 4:1
		CUSTOMER DRAWING	SHEET 1 of 1	REV K3

1470-19 (3/11)