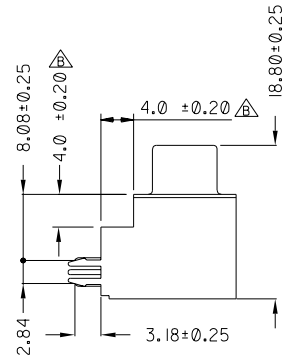
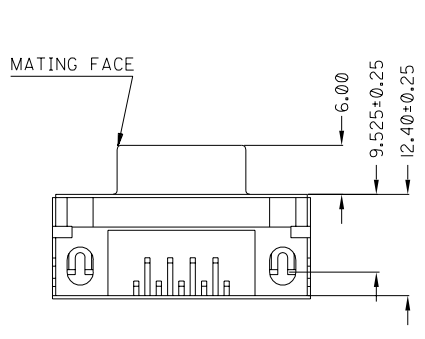
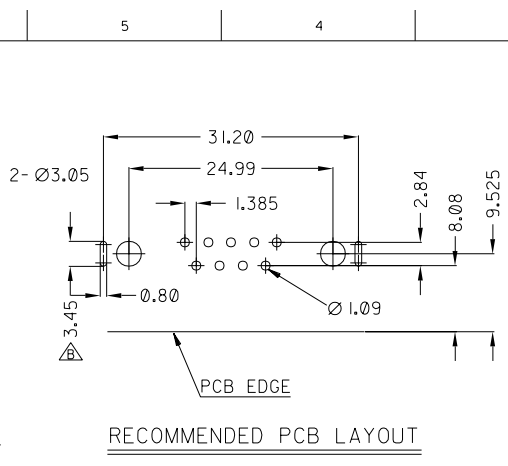
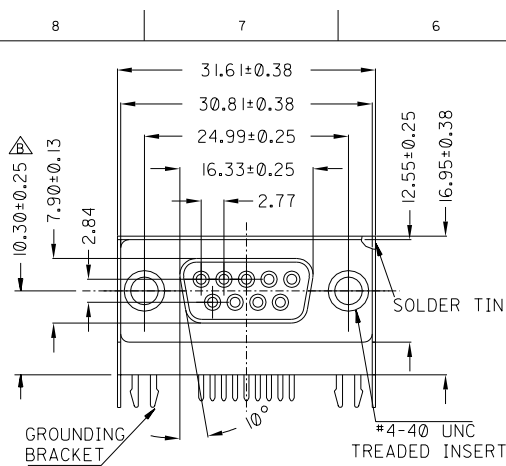


ENG. NO. 67356-0062
 EDP NO.
 SIMILAR ITEM
 S6735602.S01
 CADFILE NO.
 DO NOT SCALE DRAWING



- NOTES:
- MATERIALS:
 HOUSING : POLYESTER,30% GLASS FIBER FILLED,
 UL-94V-0,COLOR:BLACK
 TERMINAL : PHOSPHOR BRONZE
 SHELL : SPCC
 - FINISH:
 TERMINAL PLATING : GOLD FLASH ON CONTACT AREA,
 TIN-LEAD ON SOLDERING TAIL .
 NICKEL UNDERPLATING
 SHELL PLATING : TIN-LEAD PLATED OVERALL,
 UNDERPLATE : NICKEL PLATED
 - 3.2 PCS #4-40 SCREW ATTACHED.
 - PRODUCT SPEC.: PS-67356-003

REVISE PLATING SPEC. EC NO. T2002-0193 DRAWN: Vincent Lin CHK: CHK	RELEASE PER FOR: #4-40 EC NO. T2000-0264 DRAWN: T. Luong 01/04/25 CHK: Wilson Chang APPR: Mega Lin	QUALITY SYMBOLS MAJOR = 0 CRITICAL = 0	GENERAL TOLERANCES: (UNLESS SPECIFIED)		SCALE	DESIGN UNITS	THIRD ANGLE PROJECTION	DIMENSIONS:		I	C	
			4 PLACES ± .	± .	mm	INCH	mm	INCH	mm ONLY	SHT	REV	
C	B	REV	3 PLACES ± .	± .	DRAWN BY & DATE G.Wang 00/02/15		TITLE: 9 CKT FEMALE D-SUB (WITH SHIELDING)		REVISE ON CAD ONLY			
			2 PLACES ±0.25	±.010	CHECKED BY & DATE Wilson Chang		MATERIAL NO. 67356-0062		DRAWING NO. SD-67356-002		SHEET NO. 1 OF 1	
			1 PLACE ±0.25	±.010	APPROVED BY & DATE Mega Lin		MATERIAL NO. 67356-0062		DRAWING NO. SD-67356-002		SHEET NO. 1 OF 1	
			ANGULAR: ±3°		CAD FILENAME S6735602.S01		MATERIAL NO. 67356-0062		DRAWING NO. SD-67356-002		SHEET NO. 1 OF 1	
			DRAFT WHERE APPLICABLE MUST REMAIN WITHIN DIMENSIONS		THIS DRAWING CONTAINS INFORMATION THAT IS PROPRIETARY TO MOLEX INCORPORATED AND SHOULD NOT BE USED WITHOUT WRITTEN PERMISSION.							

CC: DGN REV. A
 96/06/12 LEVEL 3