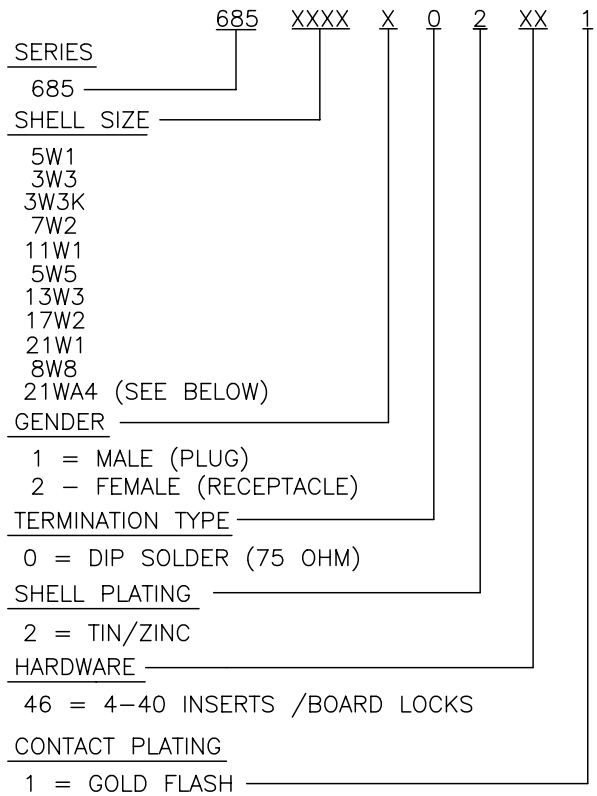
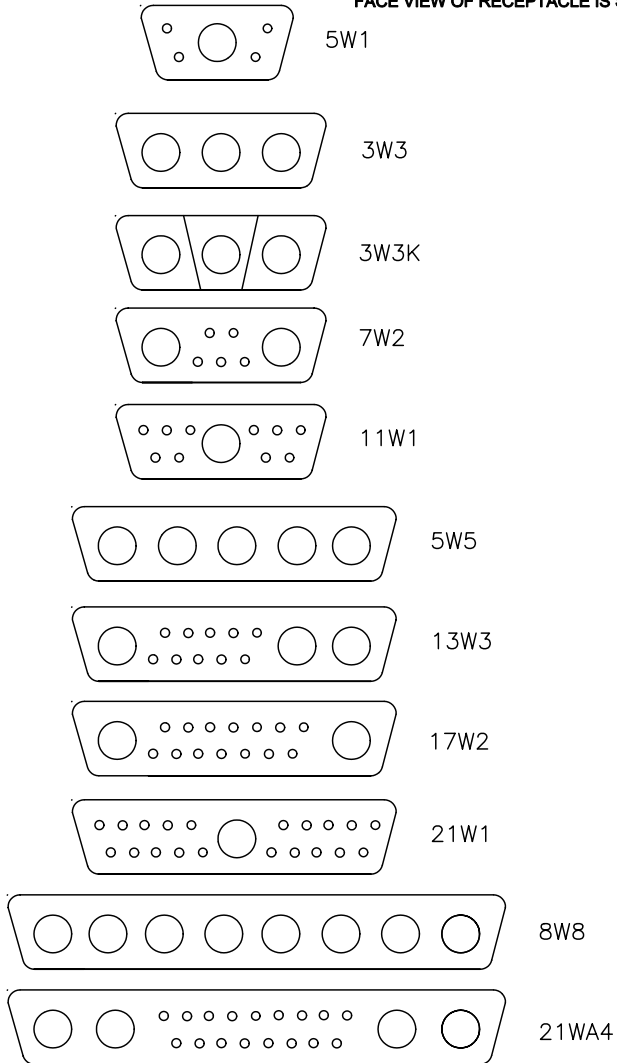


DESCRIPTION: COAXIAL COMBO RIGHT ANGLE

FACE VIEW OF RECEPTACLE IS SHOWN

PART NUMBER KEY



- 5W1
- 3W3
- 3W3K
- 7W2
- 11W1
- 5W5
- 13W3
- 17W2
- 21W1
- 8W8
- 21WA4 (SEE BELOW)

- 1 = MALE (PLUG)
- 2 = FEMALE (RECEPTACLE)

- 0 = DIP SOLDER (75 OHM)

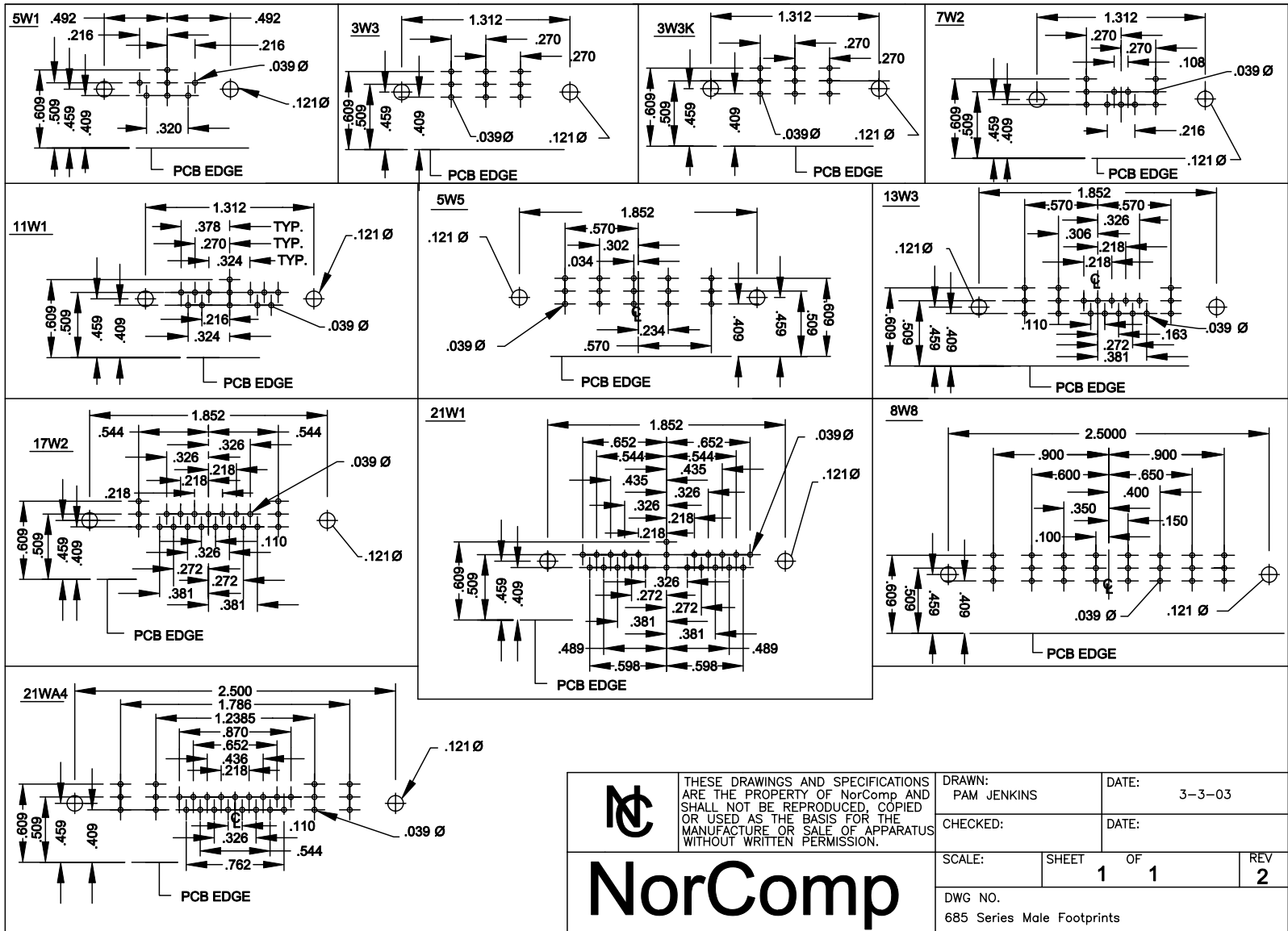
- 2 = TIN/ZINC


- 46 = 4-40 INSERTS /BOARD LOCKS

- 1 = GOLD FLASH

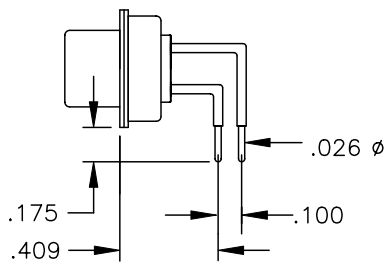
68521WA4 PART NUMBERS = 68521WA4P461 = MALE
 68521WA4S461 = FEMALE

	THESE DRAWINGS AND SPECIFICATIONS ARE THE PROPERTY OF NorComp AND SHALL NOT BE REPRODUCED, COPIED OR USED AS THE BASIS FOR THE MANUFACTURE OR SALE OF APPARATUS WITHOUT WRITTEN PERMISSION.		DRAWN: PAM JENKINS	DATE: 6-3-02
			CHECKED:	DATE:
<h1>NorComp</h1>		SCALE:	SHEET 1 OF 1	REV 2
		DWG NO. 685 SERIES CONNECTORS		

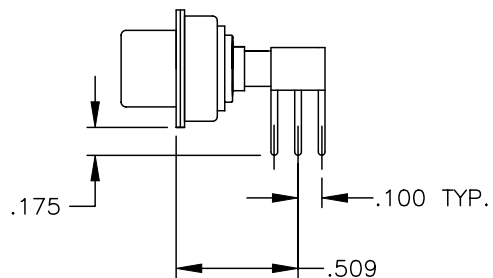


	THESE DRAWINGS AND SPECIFICATIONS ARE THE PROPERTY OF NorComp AND SHALL NOT BE REPRODUCED, COPIED OR USED AS THE BASIS FOR THE MANUFACTURE OR SALE OF APPARATUS WITHOUT WRITTEN PERMISSION.		DRAWN: PAM JENKINS	DATE: 3-3-03
			CHECKED:	DATE:
<h1>NorComp</h1>		SCALE:	SHEET 1 OF 1	REV 2
		DWG NO. 685 Series Male Footprints		

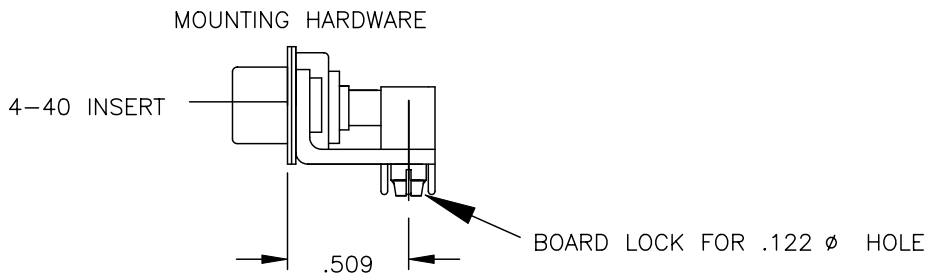
DESCRIPTION: SIGNAL/COAXIAL CONTACTS




SIGNAL CONTACTS

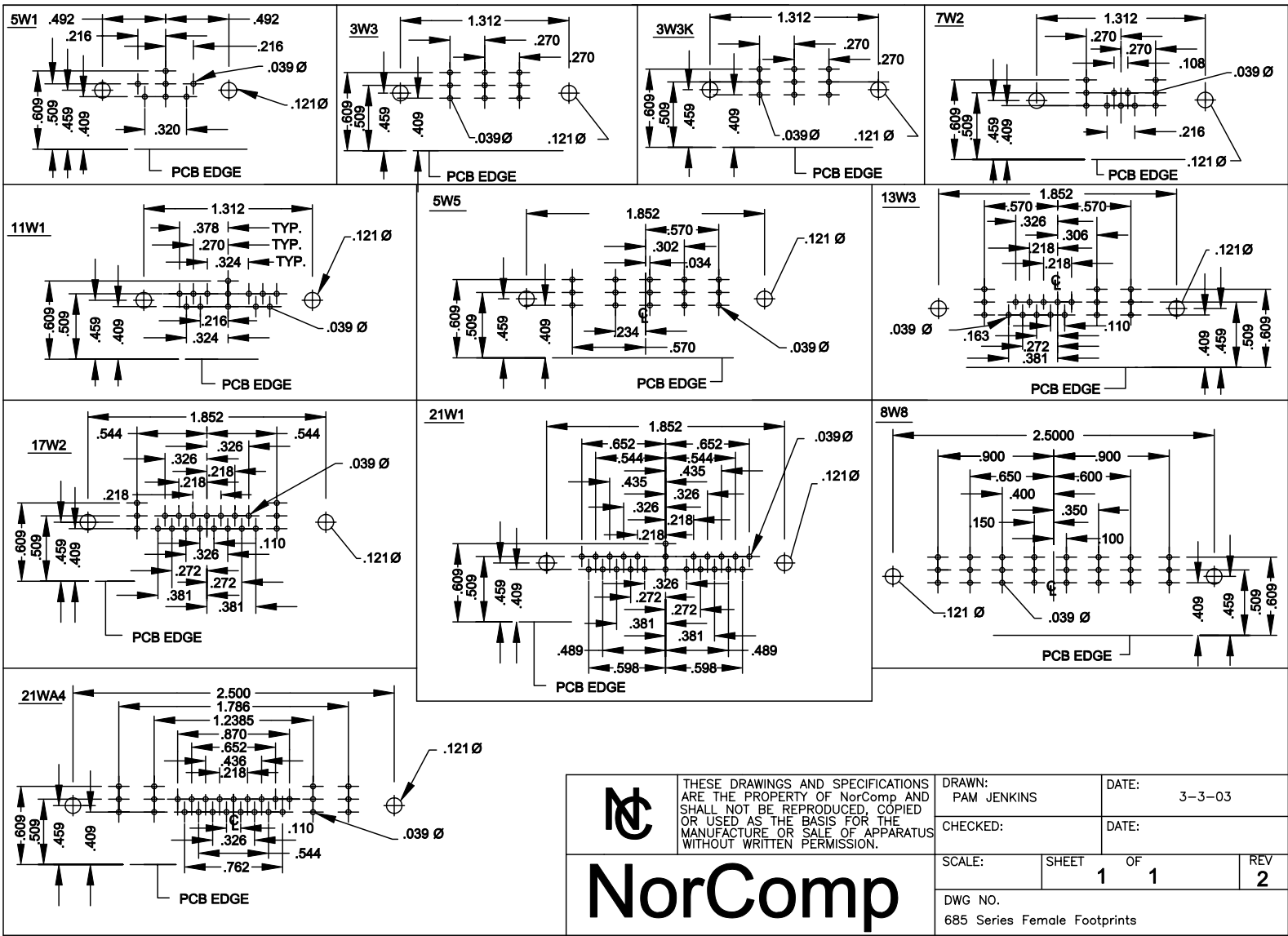



75 OHM COAXIAL CONTACTS



NOTE: SIGNAL AND POWER CONTACTS COME PRE-LOADED INTO INSULATOR.

	THESE DRAWINGS AND SPECIFICATIONS ARE THE PROPERTY OF NorComp AND SHALL NOT BE REPRODUCED, COPIED OR USED AS THE BASIS FOR THE MANUFACTURE OR SALE OF APPARATUS WITHOUT WRITTEN PERMISSION.		DRAWN: PAM JENKINS	DATE: 6-5-02
			CHECKED:	DATE:
NorComp		SCALE:	SHEET 1 OF 1	REV 2
		DWG NO. 685 XXXX X 0 2 461		



	THESE DRAWINGS AND SPECIFICATIONS ARE THE PROPERTY OF NorComp AND SHALL NOT BE REPRODUCED, COPIED OR USED AS THE BASIS FOR THE MANUFACTURE OR SALE OF APPARATUS WITHOUT WRITTEN PERMISSION.		DRAWN: PAM JENKINS	DATE: 3-3-03
			CHECKED:	DATE:
<h1>NorComp</h1>		SCALE:	SHEET 1 OF 1	REV 2
		DWG NO. 685 Series Female Footprints		