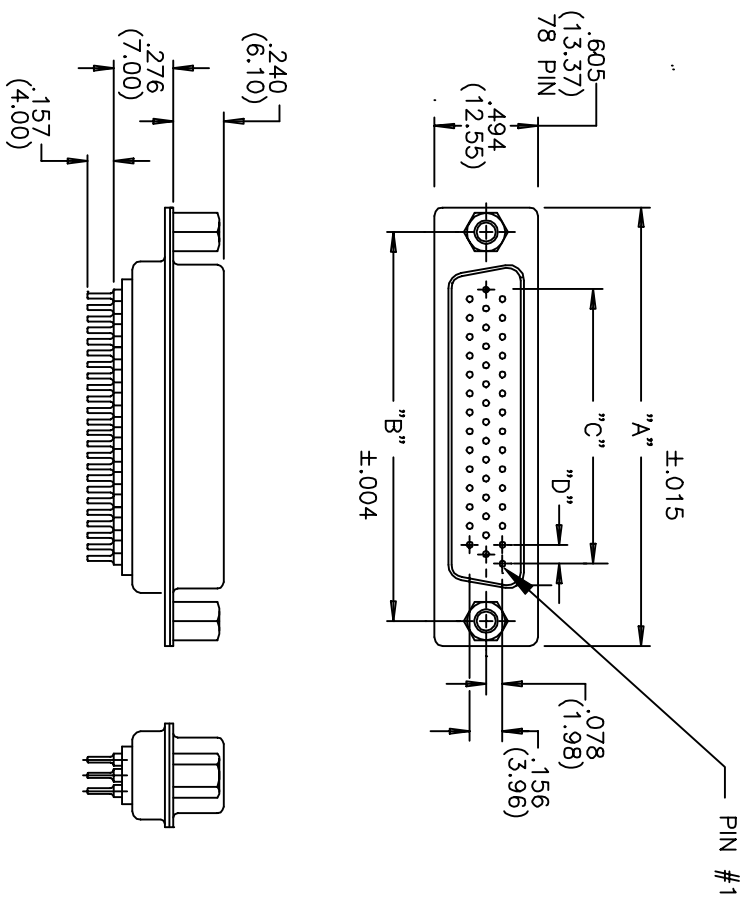


DESCRIPTION: HIGH DENSITY VERTICAL LOW PROFILE/MACHINED



SERIES _____ 197-XXX-X12-XX1
 NUMBER OF CONTACTS _____
 GENDER _____
 1 = MALE
 2 = FEMALE (NO GROUND INDENTS)
 PC MOUNT _____
 TIN SHELL _____
 HARDWARE OPTIONS: _____
 00 = .120 MOUNTING HOLE
 55 = 4-40 INSERTS
 03 = 4-40 HEX STANDOFFS
 PLATING: _____
 1 = GOLD FLASH

| NUMBER OF CONTACTS | "A" Inch (mm) | "B" Inch (mm) | "C" Inch (mm) | "D" Inch (mm) |
|--------------------|------------------|------------------|------------------|------------------|
| 15 | 1.214 (30.84) | .984 (24.99) | .405 (10.29) | .090 (2.29) |
| 26 | 1.545 (39.24) | 1.312 (33.32) | .765 (19.43) | .090 (2.29) |
| 44 | 2.088 (53.04) | 1.852 (47.04) | 1.305 (33.15) | .090 (2.29) |
| 62 | 2.730 (69.34) | 2.500 (63.50) | 1.948 (49.47) | .095 (2.41) |
| 78 | 2.635 (66.93) | 2.406 (61.11) | 1.805 (45.85) | .095 (2.41) |

MATERIALS:
 INSULATOR: THERMOPLASTIC POLYESTER, UL94V-0
 CHEMICAL RESISTANCE, COLOR BLACK
 SHELL: STEEL, TIN PLATED
 CONTACT: MALE: BRASS; FEMALE: PHOSPHOR BRONZE
 GOLD FLASH IN MATING AREA
 TIN-LEAD PLATING ON TAIL ENDS

ELECTRICAL:
 CURRENT RATING: 2 AMPERES
 DIELECTRIC WITHSTANDING VOLTAGE:
 1000VAC rms AT SEA LEVEL
 INSULATION RESISTANCE: 5000 MEGOHMS MIN.
 CONTACT RESISTANCE: 10 MILLIOHMS MAX.
 WORKING TEMPERATURE: -55° TO +125° C

NC

THESE DRAWINGS AND SPECIFICATIONS ARE THE PROPERTY OF NorComp AND SHALL NOT BE REPRODUCED, COPIED OR USED AS THE BASIS FOR THE MANUFACTURE OF APPARATUS WITHOUT WRITTEN PERMISSION.

DRAWN: PAM JENKINS
 CHECKED: _____
 DATE: 5-10-01

SCALE: _____ SHEET 1 OF 1 REV 2

NorComp

DWG NO. 197-XXX-212-XX1