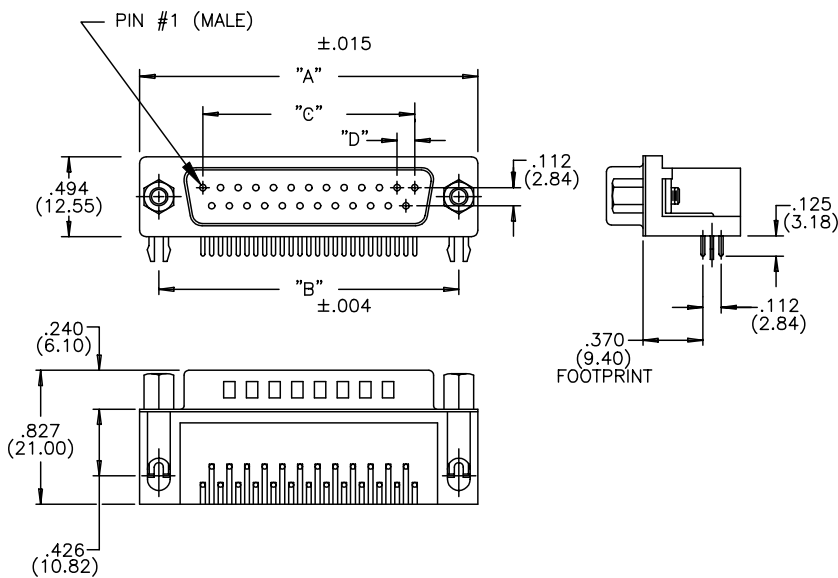


DESCRIPTION: .370" STAMPED MALE R/A D-SUB CONNECTOR



MATERIALS:

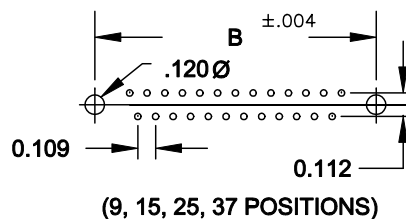
INSULATOR: THERMOPLASTIC POLYESTER, UL94V-0  
CHEMICAL RESISTANCE, COLOR BLACK

SHELL: STEEL, NICKEL PLATED

CONTACT: MALE: BRASS; FEMALE: PHOSPHOR BRONZE  
GOLD FLASH - MATING AREA  
TIN-LEAD PLATING ON TAIL ENDS

ELECTRICAL:

CURRENT RATING: 5 AMPERES  
DIELECTRIC WITHSTANDING VOLTAGE: 1000VAC rms AT SEA LEVEL  
INSULATION RESISTANCE: 5000 MEGOHMS MIN.  
CONTACT RESISTANCE: 10 MILLIOHMS MAX.  
WORKING TEMPERATURE: -55° TO +125° C



192-025-X13-XX1

SERIES \_\_\_\_\_  
NUMBER OF CONTACTS \_\_\_\_\_  
GENDER \_\_\_\_\_  
1 = MALE  
2 = FEMALE (NO GROUND INDENTS)  
PC MOUNT \_\_\_\_\_  
NICKEL SHELL \_\_\_\_\_  
HARDWARE OPTIONS: \_\_\_\_\_  
16 = .120 MATING HOLE WITH INSIDE GROUND STRAP  
17 = 4-40 INSERT WITH INSIDE GROUND STRAP  
18 = 4-40 STANDOFF WITH INSIDE GROUND STRAP  
53 = 4-40 INSERT WITH FORK BOARD LOCKS  
56 = 4-40 STANDOFF WITH FORK BOARD LOCKS  
PLATING: \_\_\_\_\_  
1 = GOLD FLASH

NUMBER OF CONTACTS	"A" Inch (mm)	"B" Inch (mm)	"C" Inch (mm)	"D" Inch (mm)
9	1.214 (30.84)	.984 (24.99)	.432 (10.97)	.109 (2.76)
15	1.545 (39.24)	1.312 (33.32)	.756 (19.20)	.109 (2.76)
25	2.088 (53.04)	1.852 (47.04)	1.304 (33.12)	.109 (2.76)
37	2.730 (69.34)	2.500 (63.50)	1.956 (49.68)	.109 (2.76)



THESE DRAWINGS AND SPECIFICATIONS ARE THE PROPERTY OF NorComp AND SHALL NOT BE REPRODUCED, COPIED OR USED AS THE BASIS FOR THE MANUFACTURE OF SALE OF APPARATUS WITHOUT WRITTEN PERMISSION.

DRAWN: PAM JENKINS	DATE: 3-30-01
CHECKED:	DATE:
SCALE:	SHEET 1 OF 1
DWG NO. 192-XXX-113-XX1	REV 2

**NorComp**