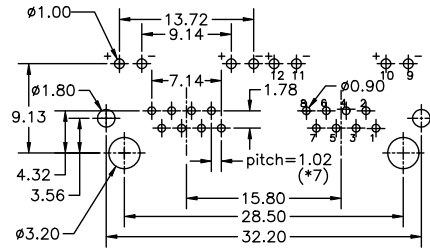
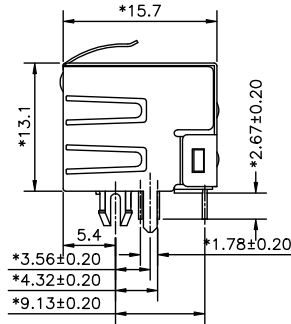
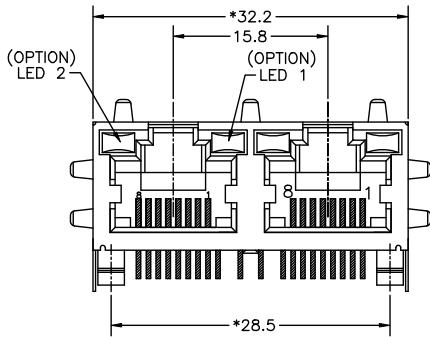


D1RFRD006

REVISION RECORD				
REV	ECO	DESCRIPTION	DRFT	CHKD
△		ADD TYPE	PFEERS	7/15/04



PC Board Layout(t=1.60)  
Component Side Shown

**NOTES:**

**ELECTRICAL:**

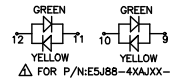
- VOLTAGE RATING : 125 VAC RMS.
- CURRENT RATING : 1.5 AMP.
- CONTACT RESISTANCE : 30 MILLIOHMS MAX.
- INSULATION RESISTANCE: 1000 MEGOHMS MIN @ 500 VDC.
- DIELECTRIC STRENGTH : 1000 VAC RMS 60Hz, 1MIN.
- LED RATINGS: FORWARD VOLTAGE: 2.2 VOLTS TYPICAL.  
REVERSE VOLTAGE: 5 VOLTS MAXIMUM.
- OPERATING: 750 CYCLES MIN.

**MECHANICAL:**

- HOUSING MATERIAL : FR52. UL94V-0. COLOR-BLACK.
- INSERT MATERIAL : FR52. UL94V-0. COLOR-BLACK.
- BACK PLATE MATERIAL : FR52. COLOR-BLACK.
- LED SIZE : 3.2\*2.0\*7.0\*P=2.54mm.
- SHIELD MATERIAL : COPPER ALLOY 0.25mm THICKNESS PLATING NI.
- CONTACT MATERIAL : PHOSPHOR BRONZE 0.35mm THICKNESS OR Ø0.46.
- PLATING : GOLD PLATING OVER NICKEL.
- PCB RETENTION PRE-SOLDER : 1 LB MIN.
- PCB RETENTION POST-SOLDER: 10 LBS MIN.

**ENVIRONMENTAL:**

- STORAGE : -40°C TO +85°C.
  - OPERATION: 0°C TO 70°C.
- MATES WITH MODULAR PLUG CONFORMING TO  
FCC PART 68, SUBPART F.  
CUL FILE No:E163191



PART NUMBER: E 5J 8 8 - X X A X X X-L

- 1-LED1:GREEN ,LED2:YELLOW .
  - 2-LED1:GREEN ,LED2:GREEN .
  - 3-LED1:YELLOW ,LED2:GREEN .
  - 4-LED1:G+Y ,LED2:G+Y .
  - 5-LED1:RED ,LED2:GREEN .
  - 7-LED1:YELLOW ,LED2:YELLOW .
- 1-NO TAB  
2-TOP TABS.  
3-SIDE TABS.  
4-TOP TABS & SIDE TABS.
- PLATING: 1-3u" 2-6u"  
3-15u" 4-30u" 5-50u"
- 1-plate Tin shield stamp pin,No3 era led  
2-plate Ni shield stamp pin,No3 era led  
3-plate Tin shield round pin,No3 era led  
4-plate Ni shield round pin,No3 era led
- J-W/O LOGO FR52.

DFTO Jake DATE 05/05/04 CHKD JAKE DATE 2005/1/15 MFO DATE APPV LUSHENG DATE 2005/1/15		<b>FULL RISE ELECTRONIC CO., LTD</b>	
TOLERANCES EXCEPT AS NOTED MM .0 ±0.20 * .00 ±0.15 * .000 ±0.075 *		TITLE <b>RJ45 SIDE ENTRY LED GANG JACK</b>	
DEFORMED LEADS ANGLES ±		MATERIAL : QTY : FINISH : SCALE : 50:19	
THIRD ANGLE PROJECTION		DRAWING NO. GE5J3135 /PART NO. SEE NOTE DO NOT SCALE DRAWING	
		SHEET X OF Y	

8 | 7 | 6 | 5 | 4 | 3 | 2 | 1

H  
G  
F  
E  
D  
C  
B  
A