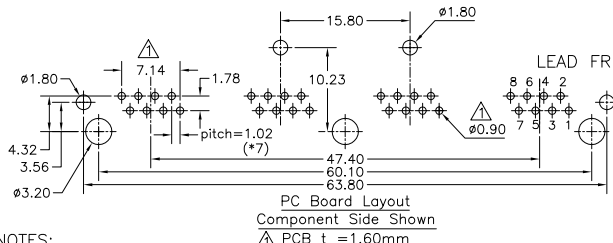
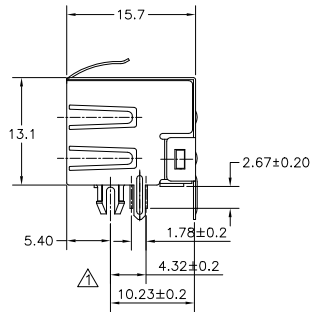
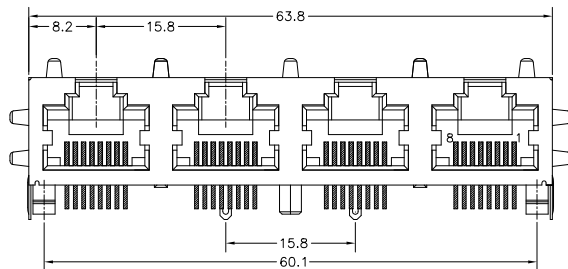


A1RFRD10

REVISION RECORD				
REV	ECO	DESCRIPTION	DRFT	CHKD
△		MODIFY DIMENSION	03/17/02	
△		ADD P/N	06/19/03	
△		ADD P/N	02/22/05	PETERS



LEAD FREE PART NUMBER: E5J88 - 6 X X X X X-L

- 1-NO TAB
- 2-TOP TABS.
- 3-SIDE TABS.
- 4-TOP TABS & SIDE TABS.

- PLATING: 1-3u", 3-15u", 2-6u", 4-30u", 5-50u"
- B-NI SHIELD STAMPED PIN.
- F-NI SHIELD ROUND PIN(Ø0.46).
- 0-W/O LOGO
- △ J-W/O LOGO A05-0130
- 4-4 PORTS W/O MIDDLE POLE
- △ C-4 PORTS W/ MIDDLE POLE

W/TIN PART NUMBER: E5J88 - 6 X X X X X

- 1-NO TAB
- 2-TOP TABS.
- 3-SIDE TABS.
- 4-TOP TABS & SIDE TABS.

- PLATING: 1-3u", 3-15u", 2-6u", 4-30u", 5-50u"
- B-NI SHIELD STAMPED PIN.
- F-NI SHIELD ROUND PIN(Ø0.46).
- 0-W/O LOGO
- △ J-W/O LOGO A05-0130
- 4-4 PORTS W/O MIDDLE POLE
- △ C-4 PORTS W/ MIDDLE POLE

NOTES:

ELECTRICAL:

1. VOLTAGE RATING : 125 VAC RMS.
2. CURRENT RATING : 1.5 AMP.
3. CONTACT RESISTANCE : 30 MILLIOHMS MAX.
4. INSULATION RESISTANCE: 1000 MEGOHMS MIN @ 500 VDC.
5. DIELECTRIC STRENGTH : 1000 VAC RMS 60Hz, 1MIN.
6. OPERATING: 750 CYCLES MIN.

MECHANICAL:

1. HOUSING MATERIAL : PBT+30%G.F OR FR52 UL94V-0. COLOR-BLACK.
2. INSERT MATERIAL : PBT+30%GF OR FR52 UL94V-0. COLOR-BLACK.
3. BACK PLATE MATERIAL : PBT+30%GF. OR FR52 COLOR-BLACK.
4. SHIELD MATERIAL : COPPER ALLOY 0.25mm THICKNESS PLATING NI.
5. CONTACT MATERIAL : PHOSPHOR BRONZE 0.35mm THICKNESS OR Ø0.46mm.
6. PLATING : GOLD PLATING OVER NICKEL.
7. PCB RETENTION PRE-SOLDER : 1 LB MIN.
8. PCB RETENTION POST-SOLDER: 10 LBS MIN.

ENVIRONMENTAL:

1. STORAGE : -40°C TO +85°C.
 2. OPERATION: 0°C TO 70°C.
- MATES WITH MODULAR PLUG CONFORMING TO FCC PART 68, SUBPART F.
CUL FILE NO. E163191

MM (INCH)	DPTD: Christ	DATE: 8/27/2001
TOLERANCES EXCEPT AS NOTED	CHKD: MFC	DATE: 2006/2/24
	MFO	DATE:
MM	APPROVING	DATE: 2005/2/24
±		
0.00 ± 0.15	MATERIAL :	
0.00 ± 0.075		
ANGLES ±	QTY :	
THIRD ANGLE PROJECTION	FINISH :	
	SCALE :	

FULL RISE ELECTRONIC CO., LTD	
TITLE	
RJ45 W/O LED JACK 4 PORTS	
DRAWING NO. GE5J3A18	SIZE REV
/PART NO. SEE NOTE	A3 3
DO NOT SCALE DRAWING	SHEET 1 OF 1



H
G
F
E
D
C
B
A