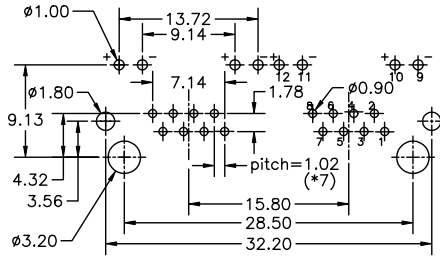
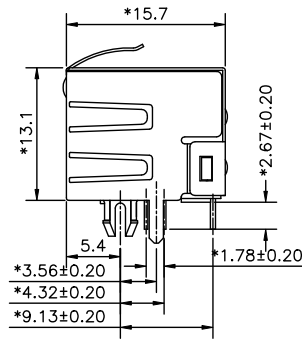
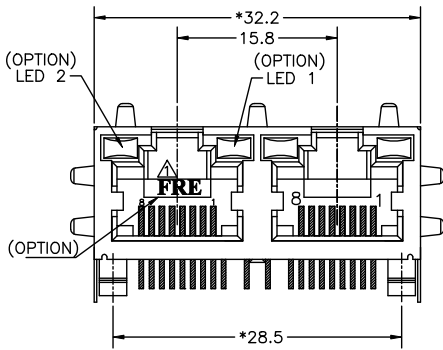


D1RFRD006

REVISION RECORD				
REV	ECO	DESCRIPTION	DRFT	CHKD
△		ADD P/N	07/28/05	
△		MODIFY P/N	08/19/05	



PC Board Layout(t=1.60)
Component Side Shown

NOTES:

ELECTRICAL:

- VOLTAGE RATING : 125 VAC RMS.
- CURRENT RATING : 1.5 AMP.
- CONTACT RESISTANCE : 30 MILLIOHMS MAX.
- INSULATION RESISTANCE: 1000 MEGOHMS MIN @ 500 VDC.
- DIELECTRIC STRENGTH : 1000 VAC RMS 60Hz, 1MIN.
- LED RATINGS: FORWARD VOLTAGE: 2.2 VOLTS TYPICAL.
REVERSE VOLTAGE: 5 VOLTS MAXIMUM.
- OPERATING: 750 CYCLES MIN.

MECHANICAL:

- HOUSING MATERIAL : FR52. UL94V-0. COLOR-BLACK.
- INSERT MATERIAL : FR52. UL94V-0. COLOR-BLACK.
- BACK PLATE MATERIAL : FR52. COLOR-BLACK.
- LED SIZE : 3.2*2.0*7.0*P=2.54mm.
- SHIELD MATERIAL : COPPER ALLOY 0.25mm THICKNESS PLATING NI.
- CONTACT MATERIAL : PHOSPHOR BRONZE 0.35mm THICKNESS OR Ø0.46.
- PLATING : GOLD PLATING OVER NICKEL.
- PCB RETENTION PRE-SOLDER : 1 LB MIN.
- PCB RETENTION POST-SOLDER: 10 LBS MIN.

ENVIRONMENTAL:

- STORAGE : -40°C TO +85°C.
 - OPERATION: 0°C TO 70°C.
 - WAVE SOLDERING TEMPERATURE: 255~265°C(5~10SECONDS).
- MATES WITH MODULAR PLUG CONFORMING TO
FCC PART 68, SUBPART F.
CUL FILE No:E163191

PART NUMBER: E 5J 8 8 - X X X X X-L

- 1-LED1:GREEN ,LED2:YELLOW .
- 2-LED1:GREEN ,LED2:GREEN .
- 3-LED1:YELLOW ,LED2:GREEN .
- 5-LED1:RED ,LED2:GREEN .
- 7-LED1:YELLOW ,LED2:YELLOW .
- 1-NO TAB
- 2-TOP TABS.
- 3-SIDE TABS.
- 4-TOP TABS & SIDE TABS.

- PLATING: 1-3u" 2-6u" 3-15u" 4-30u" 5-50u"
- 1-plate Tin shield stamp pin,No3 era led
- 2-plate Ni shield stamp pin,No3 era led
- 3-plate Tin shield round pin,No3 era led
- 4-plate Ni shield round pin,No3 era led
- 3-W/FRE LOGO
- J-W/O LOGO, FR52

DFTO YANGLIAN DATE 07/02/2005 CHKD JAKE DATE2005/08/20 MFD DATE		FULL RISE ELECTRONIC CO., LTD	
APPIN LUSHENG DATE2005/08/20			
TOLERANCES EXCEPT AS NOTED MM .0 ± 0.20 ± .00 ± 0.15 ± .000 ± 0.075 ±		TITLE RJ45 SIDE ENTRY LED GANG JACK 2 PORTS	
ANGLES ±		DRAWING NO. GE5J3016-LA /PART NO. SEE NOTE	
THIRD ANGLE PROJECTION		SCALE : 3:1 DO NOT SCALE DRAWING	
MATERIAL : QT'Y : FINISH :		SIZE REV A3 2	
SHEET 1 OF 1		SHEET 1 OF 1	

8 | 7 | 6 | 5 | 4 | 3 | 2 | 1