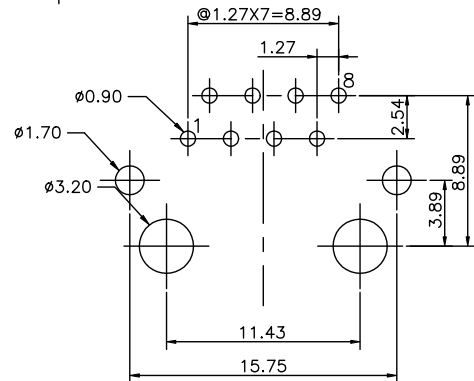
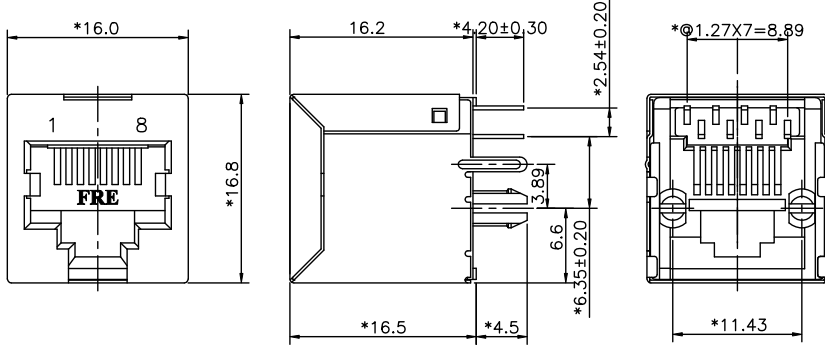


D1RFRD006

REVISION RECORD				
REV	ECC	DESCRIPTION	DRFT	CHKD



PC Board Layout Component Side Shown

**NOTES:**

**ELECTRICAL:**

1. VOLTAGE RATING : 125 VAC RMS.
2. CURRENT RATING : 1.5 AMP.
3. CONTACT RESISTANCE : 30 MILLIOHMS MAX.
4. INSULATION RESISTANCE: 1000 MEGOHMS MIN @ 500 VDC.
5. DIELECTRIC STRENGTH : 1000 VAC RMS 60Hz, 1MIN.

**MECHANICAL:**

1. HOUSING MATERIAL : NYLON+30%G.F(FR52)UL94V-0.
2. CONTACT MATERIAL : PHOSPHOR BRONZE t=0.35mm.
3. PLATING : GOLD PLATING OVER NICKEL.
4. OPERATING LIFE : 750 CYCLES MIN.
5. PCB RETENTION PRE-SOLDER : 1 LB MIN.
6. PCB RETENTION POST-SOLDER: 10 LBS MIN.

**ENVIRONMENTAL:**

1. STORAGE : -40°C TO +85°C.
2. OPERATION: -40°C TO +85°C.
3. WAVE SOLDER TEMPERATURE: 255°C TO 265°C 5~10 SECOND.

MATES WITH MODULAR PLUG CONFORMING TO

FCC PART 68, SUBPART F.

CUL FILE NO. E163191

PART NUMBER: E5288-XX0B4X-L

- |                      |               |        |        |
|----------------------|---------------|--------|--------|
| 3-W/ "FRE" LOGO      | GOLD PLATING: | 1- 3u" | 2- 6u" |
| R-W/O "FRE" LOGO     |               | 3-15u" | 4-30u" |
| SHIELD PLATING:      |               | 5-50u" |        |
| F- TIN PLATING       |               |        |        |
| G-TINNED GROUND PEGS |               |        |        |

DFTO ANKUE DATE 4/21/05 CHKD SAMMY DATE 2005/4/22 MFO DATE APPR VISHING DATE 2005/4/23		FULL RISE ELECTRONIC CO., LTD TITLE RJ45 TOP ENTRY PCB MODULAR JACK(DIP TYPE)	
TOLERANCES EXCEPT AS NOTED MM .0 ± 0.2 ± .00 ± 0.15 ± .000 ± 0.075 ±		MATERIAL : QT'Y : FINISH : SCALE : 3:1	
ANGLES ± 0.5 THIRD ANGLE PROJECTION		DRAWING NO. GE523003-LA SIZE A3 /PART NO. SEE NOTE REV 0 DO NOT SCALE DRAWING SHEET 1 OF 1	

8 | 7 | 6 | 5 | 4 | 3 | 2 | 1