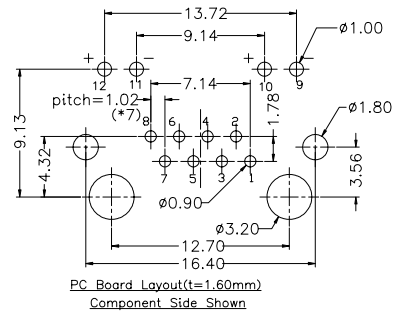
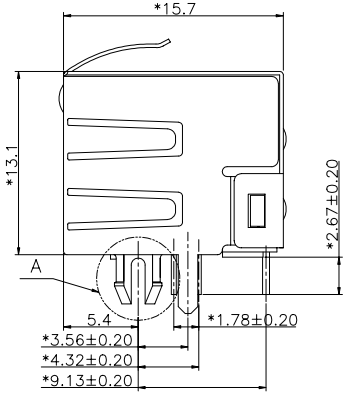
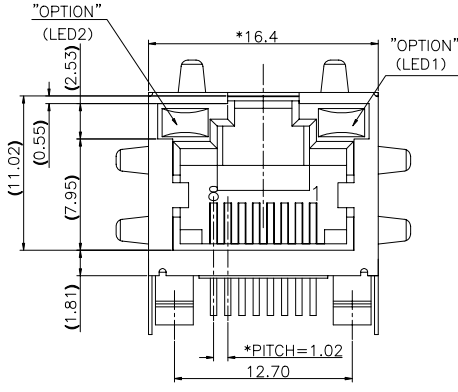
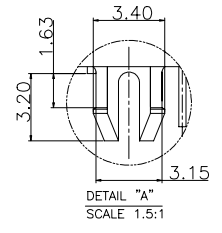
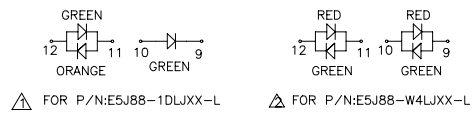


A1RFRD10

REVISION RECORD				
REV	ECO	DESCRIPTION	DRFT	CHKD
△		ADD P/N	YANLAN	06/12/05
△		ADD P/N	Yuki	06/9/06



- NOTES:**
- ELECTRICAL:**
- VOLTAGE RATING : 125 VAC RMS.
 - CURRENT RATING : 1.5 AMP.
 - CONTACT RESISTANCE : 30 MILLIOHMS MAX.
 - INSULATION RESISTANCE : 1000 MEGOHMS MIN @ 500 VDC.
 - DIELECTRIC STRENGTH : 1000 VAC RMS 60HZ, 1MIN.
 - LED RATINGS: FORWARD VOLTAGE: 2.2 VOLTS TYPICAL.
REVERSE VOLTAGE: 5 VOLTS MINIMUM.
 - OPERATING: 750 CYCLES MIN.
- MECHANICAL:**
- HOUSING MATERIAL : NYLON+30%.G.F UL94-0 COLOR-BLACK.
 - INSERT MATERIAL : NYLON+30%.G.F UL94-0 COLOR-BLACK.
 - BACK PLATE MATERIAL : NYLON+30%.G.F COLOR-BLACK.
 - LED SIZE : 3.7*2.0*7.0*P=2.54mm.
 - SHIELD MATERIAL : GOLD PLATING OVER NICKEL.
 - CONTACT MATERIAL : COPPER ALLOY 0.25mm THICKNESS PLATING NI.
 - PLATING : PHOSPHOR BRONZE 0.35mm THICKNESS OR Ø0.46.
 - PCB RETENTION PRE-SOLDER : 1 LB MIN.
 - PCB RETENTION POST-SOLDER : 10 LBS MIN.
- ENVIRONMENTAL:**
- STORAGE : -40°C TO +85°C.
 - OPERATION: -40°C TO +85°C.
 - WAVE SOLDERING TEMPERATURE: 255~265° C(5~10 SECONDS)
 - RoHS COMPLIANT.
- MATES WITH MODULAR PLUG CONFORMING TO FCC PART 68, SUBPART F.
CUL FILE No:E163191



- PART NUMBER: E 5J 8 8 - X X L J X X-L
- △ 1D-LED1:GREEN LED2:G+O TOP TABS
- △ T6-LED1:GREEN LED2:ORANG TOP TABS&SIDE TABS
- △ W4-LED1&LED2 RED&GREEN TOP&SIDE TABS
- PLATING:1-3u" 2-6u" 3-15u" 4-30u" 5-50u"
- 1-Plate Tin shield stamp pin,led long 7.0mm
 - 2-Plate Ni shield stamp pin,led long 7.0mm
 - 3-Plate Tin shield round pin,led long 7.0mm
 - 4-Plate Ni shield round pin,led long 7.0mm

DEFACED LISTS	MM (INCH)	DFTO PETERS DATE 04/14/05'
	TOLERANCES EXCEPT AS NOTED	CHKDASHELLY DATE 2006/8/9
		MFO DATE
		APPLV LUSHEN&DATE 2006/8/9
	MM	MATERIAL :
	.0 ± 0.2 ±	QTY :
	.00 ± 0.15 ±	FINISH :
	.000 ± 0.075 ±	SCALE : 4:1
	ANGLES ± 0.5	DO NOT SCALE DRAWING
	THIRD ANGLE PROJECTION	

Pulse a recognized contract **RoHS Compliant**

FULL RISE ELECTRONIC CO., LTD

TITLE: **RJ45 SIDE ENTRY LED JACK**

DRAWING NO. GE5J3204-LC SIZE A3 REV 2

/PART NO. SEE NOTE SHEET 1 OF 1

8 | 7 | 6 | 5 | 4 | 3 | 2 | 1