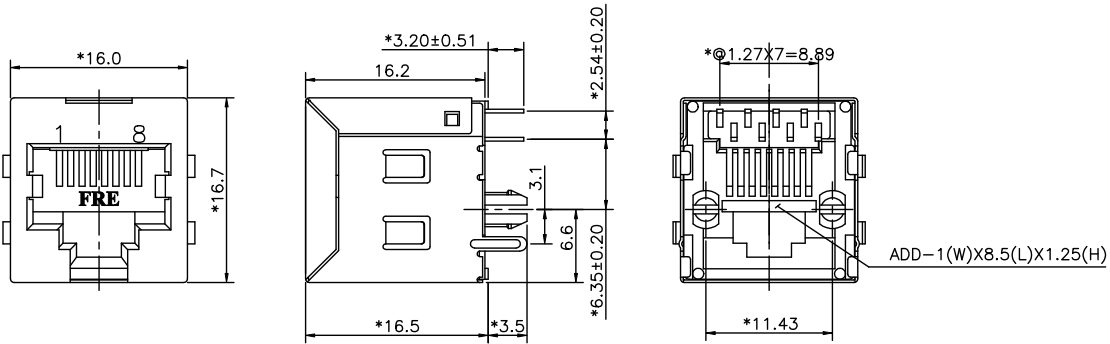


D1RFRD006

| REVISION RECORD | | | | |
|-----------------|-----|-------------|------|------|
| REV | ECO | DESCRIPTION | DRFT | CHKD |
| | | | | |



NOTES:

ELECTRICAL:

- VOLTAGE RATING : 125 VAC RMS.
- CURRENT RATING : 1.5 AMP.
- CONTACT RESISTANCE : 30 MILLIOHMS MAX.
- INSULATION RESISTANCE: 1000 MEGOHMS MIN @ 500 VDC.
- DIELECTRIC STRENGTH : 1000 VAC RMS 60Hz, 1MIN.

MECHANICAL:

- HOUSING MATERIAL : FR52 UL94V-0.
- HOUSING COLOR : BK.
- CONTACT MATERIAL : PHOSPHOR BRONZE t=0.35mm.
- PLATING : GOLD PLATING OVER NICKEL.
- OPERATING LIFE : 750 CYCLES MIN.
- PCB RETENTION PRE-SOLDER : 1 LB MIN.
- PCB RETENTION POST-SOLDER : 10 LBS MIN.

ENVIRONMENTAL:

- STORAGE : -40°C TO +85°C.
- OPERATION: 0°C TO 70°C.
- INFRARED SOLDER TEMPERATURE : 255°C TO 265°C 5-10SECOND.

MATES WITH MODULAR PLUG CONFORMING TO FCC PART 68, SUBPART F.

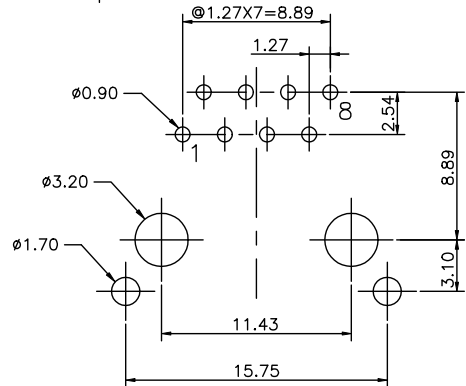
CUL FILE NO. E163191

ROHS PART NUMBER: E528X-XX0B4X-L

4-4C
8-8C
R-W/O FRE LOGO
3-W/ FRE LOGO

GOLD PLATING:
1- 3u" 2- 6u"
3- 15u" 4- 30u"
5- 50u"

- 1- TIN PLATING,W/ SIDE TABS
- 2- NICKEL PLATING,W/ SIDE TABS
- 5- TIN PLATING,W/O SIDE TABS
- T- NICKEL PLATING,W/O SIDE TABS



PC Board Layout Component Side Shown

| | | | | |
|--|-------------------------|--|---|------------------|
| MM (INCH) TOLERANCES EXCEPT AS NOTED .0 ±0.20 ± .00 ±0.15 ± .000 ±0.075 ± | | DFTO ANKUE DATE 10/28/2005 CHD NCM DATE 2005/10/28 MFO DATE APPVLISHENG DATE 2005/10/28 | FULL RISE ELECTRONIC CO., LTD TITLE RJ45 TOP ENTRY PCB JACK (DIP & IMPROVED TYPE) | |
| ANGLES ± THIRD ANGLE PROJECTION | FINISH : SCALE : 3:1 | MATERIAL : QTY : DRAWING NO. GE523094-LA /PART NO. SEE NOTE | SHEET X OF Y | SIZE REV A3 0 |

8 | 7 | 6 | 5 | 4 | 3 | 2 | 1

H
G
F
E
D
C
B
A