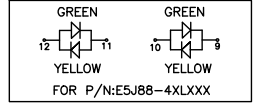
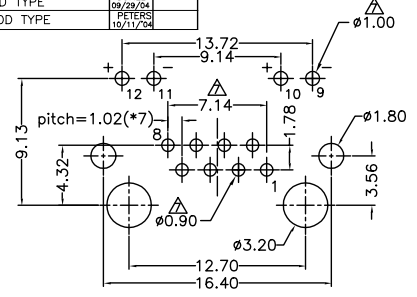
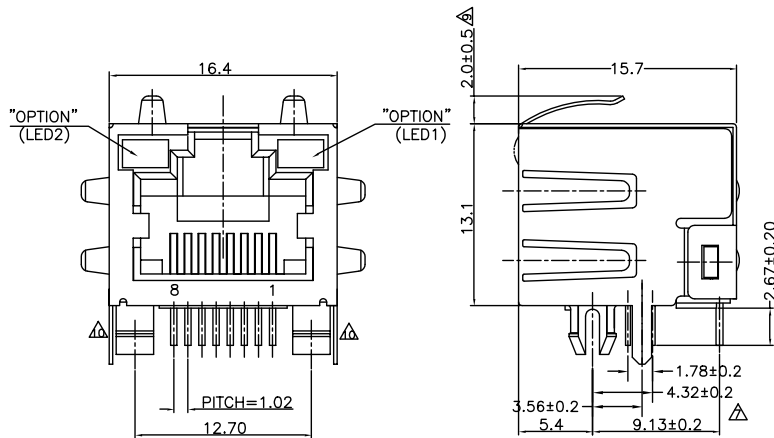


A1RFRD10

		REVISION RECORD			
REV	ECO	DESCRIPTION	DRFT	CHKD	
△	ADD TYPE	JERRY 1/4/2001			
△	EC NOTE & TYPE	JERRY 3/18/01			
△	Modify Dimension	Chris 3/1/02			
△	Add notes	Chris 11/29/02			
△	Add Dimension	Chi 4/11/03			
△	Add Dimension	John 09/06/04			
△	ADD TYPE	SUNIL 09/29/04			
△	ADD TYPE	PETERS 10/11/04			
△	ADD TYPE	JERRY 7/14/00			
△	ADD TYPE	JERRY 7/25/00			
△	ADD TYPE	JERRY 8/24/00			
△	ADD TYPE	JERRY 8/11/00			



NOTES:

ELECTRICAL:

- VOLTAGE RATING : 125 VAC RMS.
- CURRENT RATING : 1.5 AMP.
- CONTACT RESISTANCE : 30 MILLIOHMS MAX.
- INSULATION RESISTANCE: 1000 MEGOHMS MIN @ 500 VDC.
- DIELECTRIC STRENGTH : 1000 VAC RMS 60Hz, 1MIN.
- LED RATINGS: FORWARD VOLTAGE: 2.2 VOLTS TYPICAL.
REVERSE VOLTAGE: 5 VOLTS MAXIMUM.
- OPERATING: 750 CYCLES MIN.

MECHANICAL:

- HOUSING MATERIAL : PBT+30%GF UL94V-0. COLOR-BLACK.
- INSERT MATERIAL : PBT+30%GF UL94V-0. COLOR-BLACK.
- LENS MATERIAL : PC UL94V-0. COLOR-CLEAR.
- BACK PLATE MATERIAL : PBT+30%GF. COLOR-BLACK.
- LED SIZE : 3.2*2.0*4.0*P=2.29mm.
- SHIELD MATERIAL : COPPER ALLOY 0.25mm THICKNESS PLATING NI.
- CONTACT MATERIAL : PHOSPHOR BRONZE 0.35mm THICKNESS OR 0.46mm.
- PLATING : GOLD PLATING OVER NICKEL.
- PCB RETENTION PRE-SOLDER : 1 LB MIN.
- PCB RETENTION POST-SOLDER: 10 LBS MIN.

ENVIRONMENTAL:

- STORAGE : -40°C TO +85°C.
 - OPERATION: 0°C TO 70°C.
 - SOLDERABILITY :245±5°C(3~5 SEC).
- MATES WITH MODULAR PLUG CONFORMING TO FCC PART 68, SUBPART F.
CUL FILE NO. E163191

PART NUMBER: E 5J 8 8 - X X L X X X

- 1-LED1:GREEN ,LED2:YELLOW
 - 2-LED1:GREEN ,LED2:GREEN
 - 3-LED1:YELLOW ,LED2:GREEN
 - 4-LED1:G+Y ,LED2:G+Y
 - 5-LED1:RED ,LED2:GREEN
 - 7-LED1:YELLOW ,LED2:YELLOW
 - △E-LED1:GREEN,LED2:RED
 - 0-W/O SHIELD
 - 1-NO TAB
 - 2-TOP TABS.
 - 3-SIDE TABS.
 - 4-TOP TABS & SIDE TABS.
- PLATING:1-3u"
2-6u"
3-15u"
4-30u"
5-50u"
- A-TIN LEAD SHIELD STAMPED PIN
B-NI SHIELD STAMPED PIN
E-TIN LEAD SHIELD ROUND PIN
F-NI SHIELD ROUND PIN
0-W/O LOGO W/ TINNED SHIELD LEGS
△5-W/O LOGO W/O TINNED SHIELD LEGS

MM (INCH)	DFTO JERRY	DATE 3/28/00
TOLERANCES EXCEPT AS NOTED	CHKD JWE	DATE 2004/10/12
MM	INFO	DATE
.0 ± 0.20 ±	APPL USHND	DATE 2004/10/12
.00 ± 0.15 ±	MATERIAL :	
.000 ± 0.075 ±	QTY :	
ANGLES ±	FINISH :	
THIRD ANGLE PROJECTION	SCALE : 4:1	

FULL RISE ELECTRONIC CO., LTD	
TITLE	
LED JACK	
DRAWING NO. GE5J3A01	SIZE REV
/PART NO. SEE NOTE	A3 12
DO NOT SCALE DRAWING	SHEET 1 OF 1

8 | 7 | 6 | 5 | 4 | 3 | 2 | 1