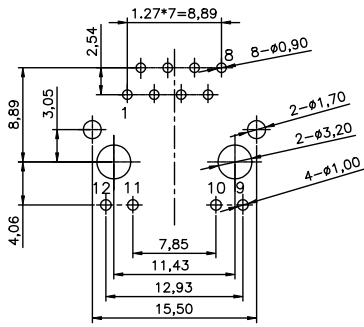


D1RFRD006

REVISION RECORD				
REV	ECC	DESCRIPTION	DRFT	CHKD



PC Board Layout Component Side Shown
PC Board = 1.60 mm t

NOTES:

ELECTRICAL:

- VOLTAGE RATING : 125 VAC RMS .
- CURRENT RATING : 1.5 AMP .
- CONTACT RESISTANCE : 45 MILLIOHMS MAX.
- INSULATION RESISTANCE: 1000 MEGOHMS MIN @ 500 VDC.
- DIELECTRIC STRENGTH : 1000 VAC RMS 60Hz, 1MIN.

MECHANICAL:

- HOUSING MATERIAL : GLASS FILLED POLYESTER UL94V-0.
- CONTACT MATERIAL : PHOSPHOR BRONZE t=0.35mm.
- PLATING : GOLD PLATING OVER NICKEL.
- OPERATING LIFE : 750 CYCLES MIN.
- PCB RETENTION PRE-SOLDER : 1 LB MIN.
- PCB RETENTION POST-SOLDER: 10 LBS MIN.

ENVIRONMENTAL:

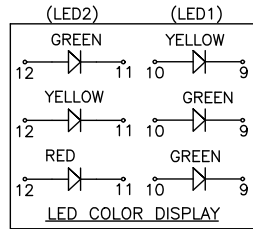
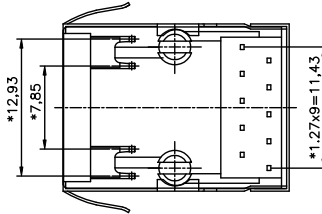
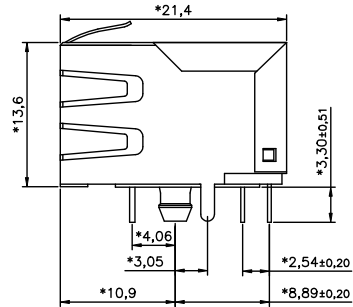
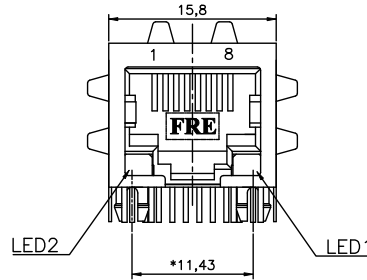
- STORAGE : -40°C TO +85°C.
- OPERATION: 0°C TO 70°C.
- WAVE SOLDERING TEMPERATURE: 230~250°C(3~5 SECONDS)

MATES WITH MODULAR PLUG CONFORMING TO
FCC PART 68, SUBPART F.

CUL FILE NO. E163191

ROHS BPART NUMBER: E5J88-XYLPX-L

- 1-LED1:GREEN LED2:YELLOW 1-3u" 2-6u"
- 2-LED1:GREEN LED2:GREEN 3-15u" 4-30u"5-50u"
- 3-LED1:YELLOW LED2:GREEN 0-W/O "FRE"LOGO
- E-LED1:GREEN LED2:RED 2-W/ "FRE"LOGO
- 1-W/ O TAB
- 2-W/ TOP TABS
- 4-W/ TOP&SIDE TABS



DETAILED LIST TOLERANCES EXCEPT AS NOTED MM ±0.20 ± .00 ±0.15 ± .000 ±0.075 ± ANGLES ± 0.5 THIRD ANGLE PROJECTION	DFTO YANGLAN DATE 08/03/05 CHKD MAMY DATE 2005/08/08 MFO DATE APPVAL SHENG DATE 2006/08/08	FULL RISE ELECTRONIC CO., LTD	
	MATERIAL :	TITLE	
	QTY :	SIDE ENTRY LED JACK	
	FINISH :	DRAWING NO. GE5J3012-LC /PART NO. SEE NOTE	SIZE A3 REV 0 08/03/05
SCALE : 2.5 : 1		DO NOT SCALE DRAWING	
		SHEET 1 OF 1	

8 7 6 5 4 3 2 1

H
G
F
E
D
C
B
A