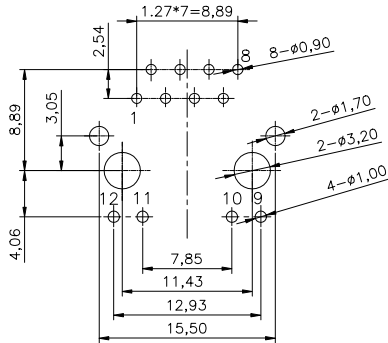


REVISION RECORD		
REV	DESCRIPTION	DRFT



PC Board Layout Component Side Shown
PC Board = 1.60 mm t

NOTES:

ELECTRICAL:

- VOLTAGE RATING : 125 VAC RMS .
- CURRENT RATING : 1.5 AMP .
- CONTACT RESISTANCE : 45 MILLIOHMS MAX.
- INSULATION RESISTANCE: 1000 MEGOHMS MIN @ 500 VDC.
- DIELECTRIC STRENGTH : 1000 VDC RMS 60Hz, 1MIN.

MECHANICAL:

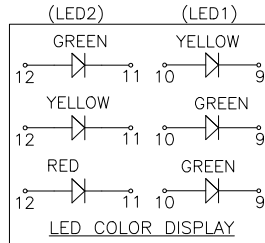
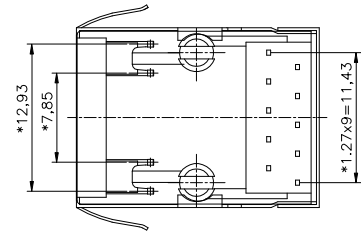
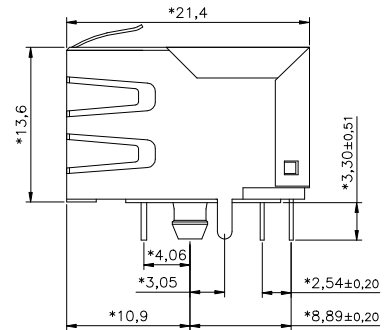
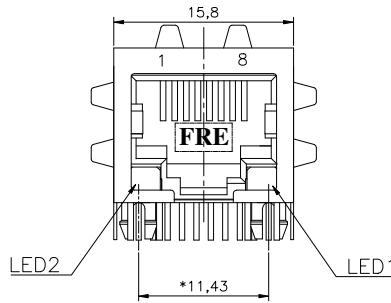
- HOUSING MATERIAL : GLASS FILLED POLYESTER UL94V-0.
- CONTACT MATERIAL : PHOSPHOR BRONZE t=0.35mm.
- PLATING : GOLD PLATING OVER NICKEL.
- OPERATING LIFE : 750 CYCLES MIN.
- PCB RETENTION PRE-SOLDER : 1 LB MIN.
- PCB RETENTION POST-SOLDER: 10 LBS MIN.

ENVIRONMENTAL:

- STORAGE : -40°C TO +85°C.
 - OPERATION: 0°C TO 70°C.
 - WAVE SOLDERING TEMPERATURE: 230~250°C(3~5 SECONDS)
- MATES WITH MODULAR PLUG CONFORMING TO
FCC PART 68, SUBPART F.
CUL FILE NO. E163191

ROHS BPART NUMBER: E5J88-XXLXPX-L

- | | | |
|---------------|--------------------|---------------------|
| 1-LED1:GREEN | LED2:YELLOW | 1-3u" 2-6u" |
| 2-LED1:GREEN | LED2:GREEN | 3-15u" 4-30u"5-50u" |
| 3-LED1:YELLOW | LED2:GREEN | 0-W/O "FRE"LOGO |
| E-LED1:GREEN | LED2:RED | 2-W/ "FRE"LOGO |
| | 1-W/ O TAB | |
| | 2-W/ TOP TABS | |
| | 4-W/ TOP&SIDE TABS | |



<p>MM (INCH)</p> <p>TOLERANCES EXCEPT AS NOTED</p> <table border="1"> <tr> <td>MM</td> <td>±</td> </tr> <tr> <td>.0 ± 0.20</td> <td>±</td> </tr> <tr> <td>.00 ± 0.15</td> <td>±</td> </tr> <tr> <td>.000 ± 0.075</td> <td>±</td> </tr> </table> <p>ANGLES ± 0.5°</p> <p>THIRD ANGLE PROJECTION</p>		MM	±	.0 ± 0.20	±	.00 ± 0.15	±	.000 ± 0.075	±	<p>DFTO YANGLAN DATE 08/03/05'</p> <p>CHKD SAMMY DATE 2005/08/08</p> <p>APPLV LUSHENG DATE 2005/08/08</p> <p>MATERIAL :</p> <p>QTY :</p> <p>FINISH :</p> <p>SCALE : 2.5:1</p>	<p>Pulse A TECHNOLOGY COMPANY</p> <p>RoHS Compliant</p> <p>TITLE SIDE ENTRY LED JACK</p> <p>DRAWING NO. GE5J3012-LC</p> <p>/PART NO. SEE NOTE</p> <p>DO NOT SCALE DRAWING</p>	<p>SIZE A3</p> <p>REV 0</p> <p>SHEET 1 OF 1</p>
MM	±											
.0 ± 0.20	±											
.00 ± 0.15	±											
.000 ± 0.075	±											

8 | 7 | 6 | 5 | 4 | 3 | 2 | 1

H
G
F
E
D
C
B
A