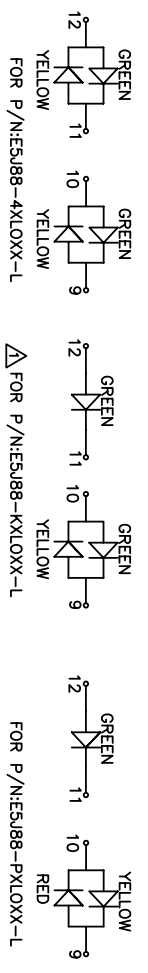
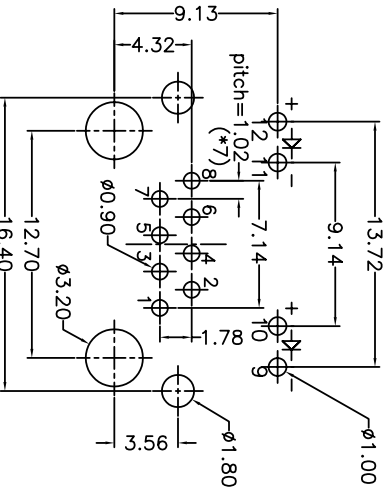
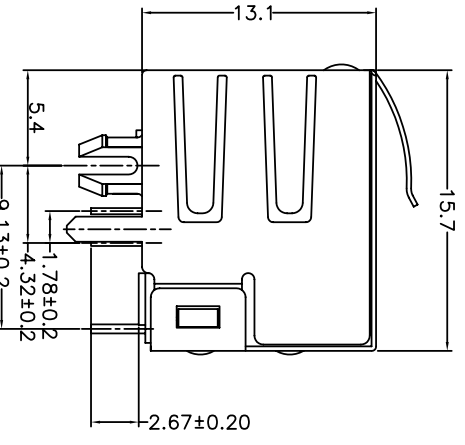
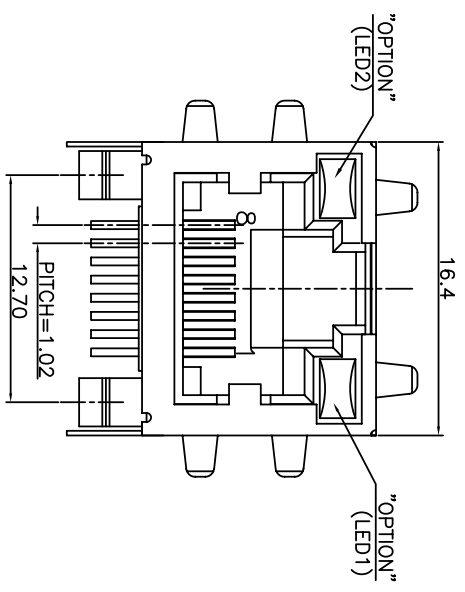


REVISION RECORD			
REV	ECO	DESCRIPTION	DRFT
1		Modify Drawing	06/05/04



PC Board (t=1.60mm) Layout
Component Side Shown

NOTES:

ELECTRICAL:

- VOLTAGE RATING : 125 VAC RMS.
- CURRENT RATING : 1.5 AMP.
- CONTACT RESISTANCE : 30 MILLIOHMS MAX.
- INSULATION RESISTANCE: 1000 MEGOHMS MIN @ 500 VDC.
- DIELECTRIC STRENGTH : 1000 VAC RMS 60Hz, 1MIN.
- LED RATINGS: FORWARD VOLTAGE: 2.2 VOLTS TYPICAL.
REVERSE VOLTAGE: 5 VOLTS MAXIMUM.
- OPERATING: 750 CYCLES MIN.

MECHANICAL:

- HOUSING MATERIAL : FR52 UL94V-0. COLOR-BLACK.
- INSERT MATERIAL : FR52 UL94V-0. COLOR-BLACK.
- BACK PLATE MATERIAL : FR52, COLOR-BLACK.
- LED SIZE : 3.2*2.0*4.0*P=2.54mm. Δ THICKNESS PLATING NI.
- SHIELD MATERIAL : COPPER ALLOY 0.25mm THICKNESS OR PHOSPHOR BRONZE 0.35mm THICKNESS OR 0.46mm.
- CONTACT MATERIAL : GOLD PLATING OVER NICKEL.
- PCB RETENTION PRE-SOLDER : 1 LB MIN.
- PCB RETENTION POST-SOLDER: 10 LBS MIN.

ENVIRONMENTAL:

- STORAGE : -40°C TO +85°C.
 - OPERATION : -40°C TO +85°C. Δ
 - WAVE SOLDERING TEMPERATURE: 255~265°C (5~10 SECONDS) Δ
- MATES WITH MODULAR PLUG CONFORMING TO FCC PART 68, SUBPART F.
CUL FILE NO. E163191

PART NUMBER: E 5U 8 8 - X X L J X X - L

- 1-LED1:GREEN ,LED2:YELLOW.
- 2-LED1:GREEN ,LED2:GREEN .
- 3-LED1:YELLOW ,LED2:GREEN .
- 4-LED1:G+Y ,LED2:G+Y .
- 5-LED1:RED ,LED2:GREEN .
- 7-LED1:YELLOW ,LED2:YELLOW .
- K-LED1:G+Y ,LED2:GREEN .
- P-LED1:Y+R ,LED2:GREEN .

- 1-NO TAB
- 2-TOP TABS.
- 3-SIDE TABS.
- 4-TOP TABS & SIDE TABS.

- PLATING:1-3u"
- 2-6u"
- 3-15u"
- 4-30u"
- 5-50u"
- C-"LED TYPE" TIN LEAD SHIELD STAMPED PIN.
- D-"LED TYPE" NI LEAD SHIELD STAMPED PIN.
- J-"LED TYPE" NI LEAD SHIELD ROUND PIN.
- K-"LED TYPE" TIN LEAD SHIELD ROUND PIN.

DETACHED LISTS		DIMENSIONS EXCEPT AS NOTED	
NO	DESCRIPTION	UNIT	VALUES
1	TOLERANCES EXCEPT AS NOTED	MM	0 ±0.20
2	ANGLES ±	°	±
3	THIRD ANGLE PROJECTION		

DATE 05/05/04		DATE 2006/6/3	
CHKD/SHELLY	DATE	APR/PLUSHENG	DATE
MATERIAL :		FINISH :	
QT'Y :		SCALE : 25:1	

FULL RISE ELECTRONIC CO., LTD
TITLE R345 SIDE ENTRY LED JACK
DRAWING NO. GESJ3139
/PART NO. SEE NOTE
DO NOT SCALE DRAWING