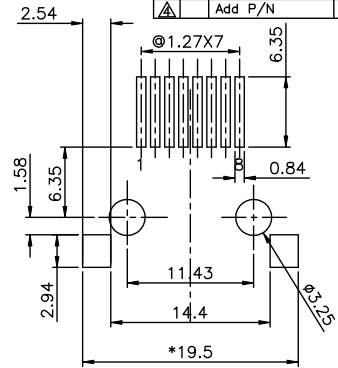
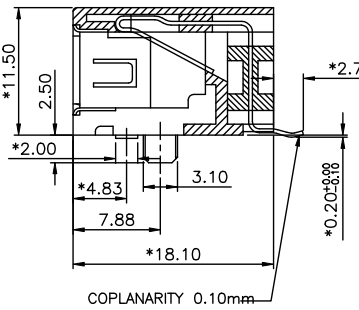
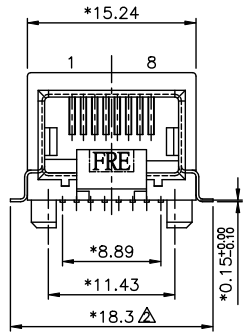


D1RFRD006

△	Modify P/N	09/16/05		
REVISION RECORD				
REV	ECO	DESCRIPTION	DRFT	CHKD
△		MODIFY DRAWING	09/16/05	
△		MODIFY DRAWING	11/25/05	
△		MODIFY DRAWING	03/28/06	
△		Add P/N	10/23/06	



**NOTES:**

**ELECTRICAL:**

- VOLTAGE RATING : 125 VAC RMS.
- CURRENT RATING : 1.5 AMP.
- CONTACT RESISTANCE : 35 MILLIOHMS MAX.
- INSULATION RESISTANCE: 1000 MEGOHMS MIN @ 500 VDC.
- DIELECTRIC STRENGTH : 1000 VAC RMS 60Hz, 1MIN.

**MECHANICAL:**

- HOUSING MATERIAL : FR52
- CONTACT MATERIAL : PHOSPHOR BRONZE t=0.35mm.
- PLATING : 1: CONTACT AREA- SELECTIVE GOLD PLATING.  
2: TAILS- 150u" TIN-LEAD MIN OVER 50u" NICKEL.
- OPERATING LIFE : 750 CYCLES MIN.
- PCB RETENTION POST-SOLDER: 10 LBS MIN.

**ENVIRONMENTAL:**

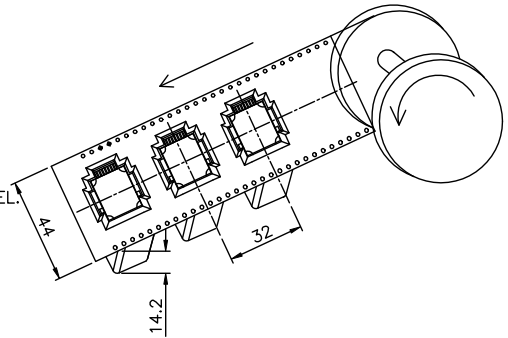
- STORAGE : -40°C TO +85°C.
- OPERATION: 0°C TO 70°C.

MATES WITH MODULAR PLUG CONFORMING TO FCC PART 68, SUBPART F.

△ PART NUMBER: E5388-EX05VX

- 9- W/O LOGO
- J- W/ F.R.E LOGO

- 1- 3U"
- 2- 6U"
- 3- 15U"
- 4- 30U"
- 5- 50U"



MM (INCH)		DFTO CZH	DATE 6/1/2002	FULL RISE ELECTRONIC CO., LTD	
TOLERANCES EXCEPT AS NOTED		CHKDANKUE	DATE 2005/4/20		
MM		MFO	DATE	TITLE SIDE ENTRY 8P	
.0 ±0.20		APPLUSHENG	DATE 2005/4/20	△ INTERNAL SHIELD(SMD)	
.00 ±0.15		MATERIAL :		DRAWING NO. GE533039	
.000 ±0.075		FINISH :		/PART NO. SEE NOTE	
ANGLES ±		QTY :		SIZE REV	
THIRD ANGLE PROJECTION		SCALE : 3:1		A3 5	
DO NOT SCALE DRAWING				SHEET X OF Y	

8 | 7 | 6 | 5 | 4 | 3 | 2 | 1