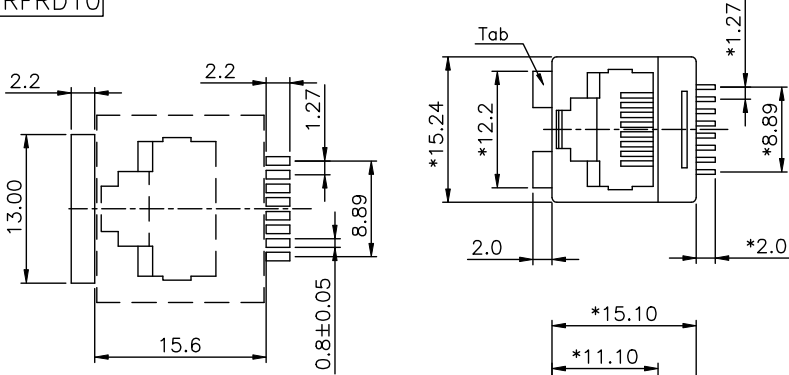
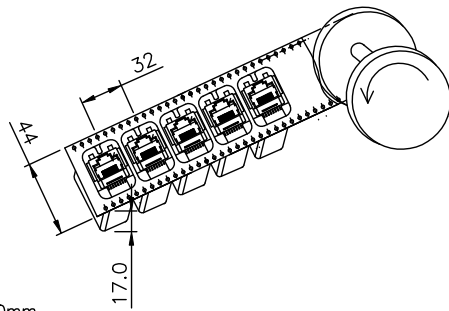


A1RFRD10

REVISION RECORD				
REV	ECO	DESCRIPTION	DRFT	CHKD



PC Board Layout  
Component Side Shown



NOTES:

ELECTRICAL:

1. VOLTAGE RATING : 125 VAC RMS.
2. CURRENT RATING : 1.5 AMP.
3. CONTACT RESISTANCE : 30 MILLIOHMS MAX.
4. INSULATION RESISTANCE: 1000 MEGOHMS MIN @ 500 VDC.
5. DIELECTRIC STRENGTH : 1000 VAC RMS 60Hz, 1MIN.

MECHANICAL:

1. HOUSING MATERIAL : NYLON FR52 (HIGH TEMPERATURE) UL94V-0.
2. CONTACT MATERIAL : PHOSPHOR BRONZE t=0.35mm.
3. PLATING : GOLD PLATING OVER NICKEL.
4. OPERATING LIFE : 750 CYCLES MIN.
5. PCB RETENTION POST-SOLDER: 10 LBS MIN.

ENVIRONMENTAL:

1. STORAGE : -40°C TO +85°C.
2. OPERATION: 0°C TO 70°C.
3. REFLOW SOLDERING TEMPERATURE: 255°C TO 265°C 5-10SECOND.

MATES WITH MODULAR PLUG CONFORMING TO  
FCC PART 68, SUBPART F.

CUL FILE NO. E163191

PART NUMBER:

E5288-700BBX-L

1-3u" 2-6u" 3-15u"  
4-30u" 5-50u"

MM (INCH)		DFTD ANKJJE	DATE 05/18/05	FULL RISE ELECTRONIC CO., LTD	
TOLERANCES EXCEPT AS NOTED		CHKD SAMMY	DATE 2005/5/20		
MM	±	MFO	DATE	TITLE RJ45 TOP ENTRY PCB JACK (SMT TYPE)	
.0 ± 0.2	±	APPYLLUSHENG	DATE 2005/9/20		
.00 ± 0.15	±	MATERIAL :		DRAWING NO. GE523A12-LA	
.000 ± 0.075	±	QTY :			
ANGLES ± 0.5		FINISH :		/PART NO. SEE NOTE	
THIRD ANGLE PROJECTION		SCALE : 2.5 : 1			
DO NOT SCALE DRAWING				SHEET	OF

8 7 6 5 4 3 2 1

H  
G  
F  
E  
D  
C  
B  
A