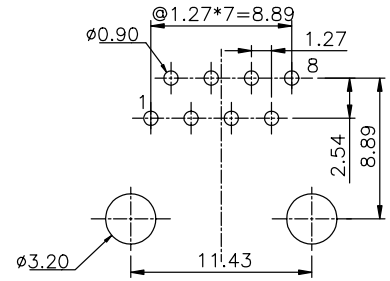
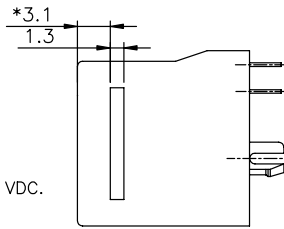
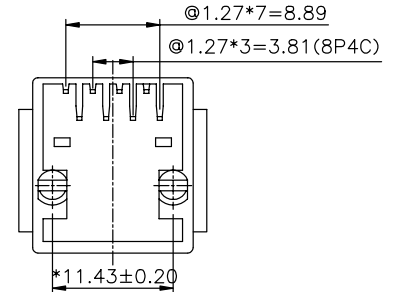
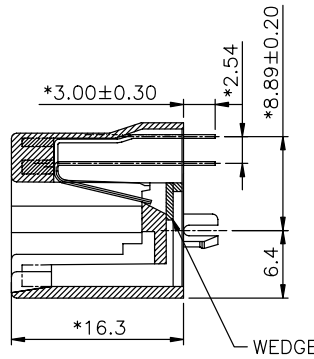
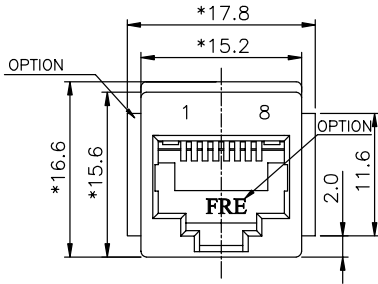


A1RFRD10

REVISION RECORD				
REV	ECO	DESCRIPTION	DRFT	CHKD
△		ADD PART NO.	SKYCHEN 07/28/06	



PC Board Layout
Component Side Shown

NOTES:

ELECTRICAL:

- 1. VOLTAGE RATING : 125 VAC RMS .
- 2. CURRENT RATING : 1.5 AMP .
- 3. CONTACT RESISTANCE : 30 MILLIOHMS MAX.
- 4. INSULATION RESISTANCE : 1000 MEGOHMS MIN @ 500 VDC.
- 5. DIELECTRIC STRENGTH : 1000 VAC RMS 60Hz, 1MIN.

MECHANICAL:

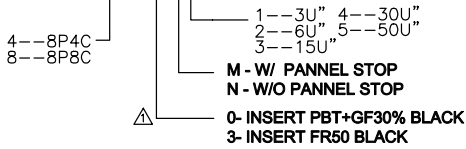
- △ 1. HOUSING MATERIAL : PBT+GF30% UL94V-0. COLOR:BLACK
- 2. CONTACT MATERIAL : PHOSPHOR BRONZ T=0.35mm.
- 3. PLATING : GOLD PLATING OVER NICKEL.
- 4. OPERATING LIFE : 750 CYCLES MIN.
- 5. PCB RETENTION PRE-SOLDER : 1 LB MIN.
- 6. PCB RETENTION POST-SOLDER: 10 LBS MIN.

ENVIRONMENTAL:

- 1. STORAGE : -40°C TO +85°C.
- 2. OPERATION : -40°C TO +85°C.
- 3. WAVE SOLDER TEMPERATURE: 230°C TO 250°C 5~10 SECONDS.
- △ 4. RoHS COMPLIANT.

MATES WITH MODULAR PLUG CONFORMING TO
FCC PART 68, SUBPART F.

RoHS PART NUMBER: E528X-YNX1XX-L



MM (INCH)		DFTO ANKUE	DATE 04/25/06
TOLERANCES EXCEPT AS NOTED		CHKD ANKUE	DATE 2006/7/29
		MFO	DATE
		APPL. LUSHENG	DATE 2006/7/29
		MATERIAL :	
		QT'Y :	
		FINISH :	
		SCALE : 5:2	

		RoHS Compliant	
FULL RISE ELECTRONIC CO., LTD			
TITLE			
TOP ENTRY PCB JACK			
DRAWING NO. GE523072-LC			SIZE
/PART NO. SEE NOTE			A3
DO NOT SCALE DRAWING			REV
SHEET 1			1
OF 1			

8 | 7 | 6 | 5 | 4 | 3 | 2 | 1

H
G
F
E
D
C
B
A