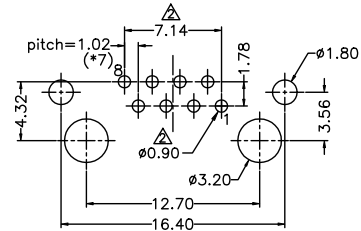
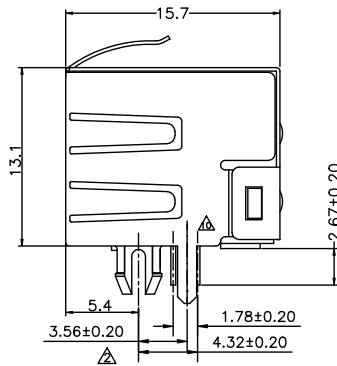
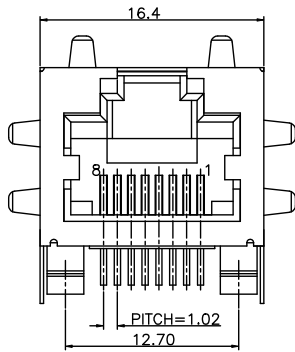


A1RFRD10



PCB (t=1.60mm) Layout
Component Side Shown

REVISION RECORD				
REV	ECO	DESCRIPTION	DRFT	CHKD
1		MODIFY PCB LAYOUT	Christ	
2		MODIFY DIMENSION	Christ	
3		ADD TYPE	07/18/04	
4		ADD TYPE	07/23/04	
5		ADD P/N	10/16/03	
6		ADD P/N	06/01/04	
7		ADD P/N	06/10/04	
8		ADD P/N	06/27/04	
9		MODIFY P/N	06/27/04	
10		MODIFY P/N	12/07/04	
11		MODIFY P/N	12/15/04	
12		MODIFY P/N	1/5/05	
13		MODIFY P/N	05/16/05	

NOTES:

ELECTRICAL:

- VOLTAGE RATING : 125 VAC RMS.
- CURRENT RATING : 1.5 AMP.
- CONTACT RESISTANCE : 30 MILLIOHMS MAX.
- INSULATION RESISTANCE: 1000 MEGOHMS MIN @ 500 VDC.
- DIELECTRIC STRENGTH : 1000 VAC RMS 60Hz, 1MIN.
- OPERATING: 750 CYCLES MIN.

MECHANICAL:

- HOUSING MATERIAL : PBT+30%.G.F UL94V-0. OR FR52 COLOR-BLACK.
- INSERT MATERIAL : PBT+30%GF UL94V-0. OR FR52 COLOR-BLACK.
- BACK PLATE MATERIAL : PBT+30%GF. OR FR52 COLOR-BLACK.
- SHIELD MATERIAL : COPPER ALLOY 0.25mm THICKNESS PLATING NI.
- CONTACT MATERIAL : PHOSPHOR BRONZE 0.35mm THICKNESS OR Ø0.46mm.LEAD FREE.
- PLATING : GOLD PLATING OVER NICKEL.
- PCB RETENTION PRE-SOLDER : 1 LB MIN.
- PCB RETENTION POST-SOLDER: 10 LBS MIN.

ENVIRONMENTAL:

- STORAGE : -40°C TO +85°C.
 - OPERATION: 0°C TO 70°C.
- MATES WITH MODULAR PLUG CONFORMING TO
FCC PART 68, SUBPART F.
CUL FILE NO. E163191

W/ TIN PART NUMBER: E 5J 8 8 - X X L X X X

- 0-NO.LED
- △ 6-HS'G&SHIELD NO LED
- 0- PBT+30%(A06-1490)
- J- FR52(A05-0130)
- 5-W/O LOGO W/O TINNED SHIELD LEADS
- PLATING: 1-3u" 2-6u" 3-15u"
4-30u" 5-50u"
- A-TIN SHIELD STAMPED PIN
- B-NI SHIELD STAMPED PIN
- △ F-NI SHIELD ROUND PIN (Ø0.46)

- 0-W/O SHIELD 1-NO TAB
- 2-TOP TABS. 3-SIDE TABS.
- 4-TOP TABS & SIDE TABS.

MM (INCH)		DFTO JERRY	DATE 2/15/2001	FULL RISE ELECTRONIC CO., LTD
TOLERANCES EXCEPT AS NOTED		CHKD JRE	DATE 2006/6/16	
MM		INFO	DATE	TITLE
.0 ± 0.20	±	APPLY LUBING	DATE 2009/9/16	
.00 ± 0.15	±	MATERIAL :		RJ45 W/O LED JACK
.000 ± 0.075	±	QTY :		DRAWING NO. GE5J3A11
ANGLES ±		FINISH :		7/PART NO. SEE NOTE
THIRD ANGLE PROJECTION		SCALE :		DO NOT SCALE DRAWING
				SHEET 1 OF 1

8 | 7 | 6 | 5 | 4 | 3 | 2 | 1

H
G
F
E
D
C
B
A