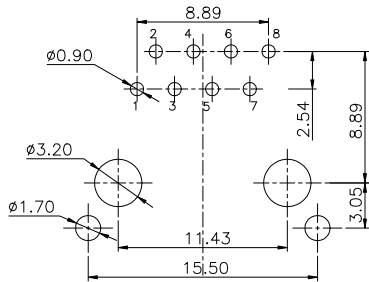


D1RFRD006



PC Board Layout Component Side Shown

NOTES:

ELECTRICAL:

1. VOLTAGE RATING : 125 VAC RMS.
2. CURRENT RATING : 1.5 AMP.
3. CONTACT RESISTANCE : 35 MILLIOHMS MAX.
4. INSULATION RESISTANCE: 1000 MEGOHMS MIN @ 500 VDC.
5. DIELECTRIC STRENGTH : 1000 VAC RMS 60Hz, 1MIN.

MECHANICAL:

1. HOUSING MATERIAL : GLASS FILLED POLYESTER UL94V-0.
2. CONTACT MATERIAL : PHOSPHOR BRONZE t=0.35mm.
3. PLATING : GOLD PLATING OVER NICKEL.
4. OPERATING LIFE : 750 CYCLES MIN.
5. PCB RETENTION PRE-SOLDER : 1 LB MIN.
6. PCB RETENTION POST-SOLDER: 10 LBS MIN.

ENVIRONMENTAL:

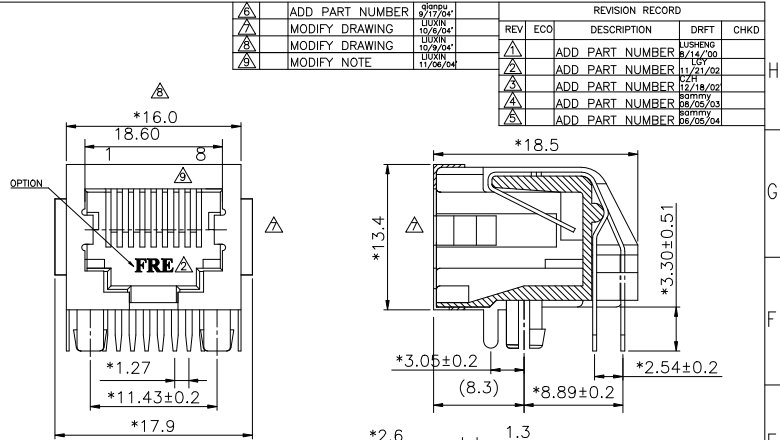
1. STORAGE : -40°C TO +85°C.
2. OPERATION: 0°C TO 70°C.

MATES WITH MODULAR PLUG CONFORMING TO FCC PART 68, SUBPART F.

CUL FILE NO. E163191

PART NUMBER: E6288-0X0XXX

- SHIELD: 1- 3u" 2- 6u"
- 3- 15u" 4- 30u" 5- 50u"
- E-TIN
- 1-W/ PANEL STOP,W/O KEY,W/O "FRE" LOGO
- A-W/ PANEL STOP,W/O KEY,W/ "FRE" LOGO
- 0-PBT+15% BK
- 2-PBT+30% BK
- 3-FR50 BK
- 7-FR52 BK
- A-PBT+30% BL



LEAD FREE PART NUMBER:

E6288-0X0XXX-L

- SHIELD: 1- 3u" 2- 6u"
- 3- 15u" 4- 30u" 5- 50u"
- E-TIN
- 1-W/ PANEL STOP,W/O KEY,W/O "FRE" LOGO
- A-W/ PANEL STOP,W/O KEY,W/ "FRE" LOGO
- 0-PBT+15% BK 2-PBT+30% BK
- 3-FR50 BK 7-FR52 BK
- A-PBT+30% BL C-PBT+30% COOL GRAY 8u

		REVISION RECORD			
REV	ECO	DESCRIPTION	DRFT	CHKD	
△		ADD PART NUMBER			
△		MODIFY DRAWING			
△		MODIFY DRAWING			
△		MODIFY NOTE			
△		ADD PART NUMBER	1/14/00		
△		ADD PART NUMBER	11/21/02		
△		ADD PART NUMBER	12/18/02		
△		ADD PART NUMBER	05/05/03		
△		ADD PART NUMBER	06/05/04		

MM (INCH)		DFTO JAMIE	DATE 10/7/97	FULL RISE ELECTRONIC CO., LTD	
TOLERANCES EXCEPT AS NOTED		CHHO QUILER	DATE 2005/2/19		
MM	±	MFG	DATE	TITLE AMP L/P FRONT SHIELDED PCB JACK 8P	
.0 ±0.20	±	APPV LUSHENG	DATE 2005/2/19	DRAWING NO. GE623054	SIZE A3
.00 ±0.15	±	MATERIAL :		/PART NO. SEE NOTE	REV 9
.000 ±0.075	±	FINISH :		DO NOT SCALE DRAWING	SHEET X OF Y
ANGLES ±		QTY :			
THIRD ANGLE PROJECTION		SCALE : 2.5:1			

8 | 7 | 6 | 5 | 4 | 3 | 2 | 1

H
G
F
E
D
C
B
A