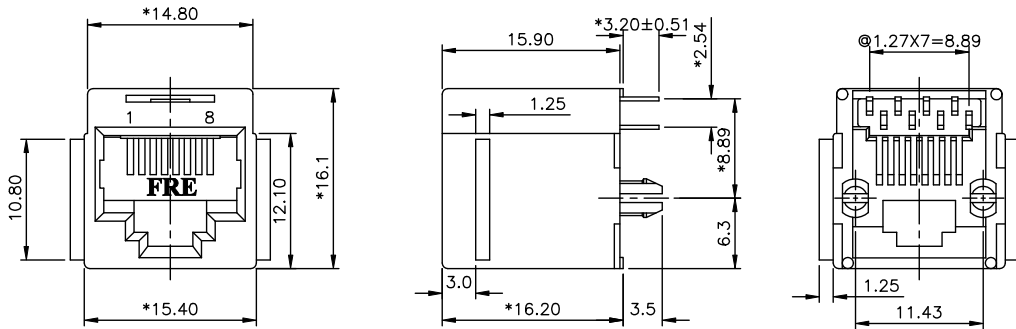


D1RFRD006

REVISION RECORD				
REV	ECO	DESCRIPTION	DRFT	CHKD
△		ADD P/N	JMM	11/2/05



**NOTES:**

**ELECTRICAL:**

- 1. VOLTAGE RATING : 125 VAC RMS.
- 2. CURRENT RATING : 1.5 AMP.
- 3. CONTACT RESISTANCE : 45 MILLIOHMS MAX.
- 4. INSULATION RESISTANCE : 1000 MEGOHMS MIN @ 500 VDC.
- 5. DIELECTRIC STRENGTH : 1000 VAC RMS 60Hz, 1MIN.

**MECHANICAL:**

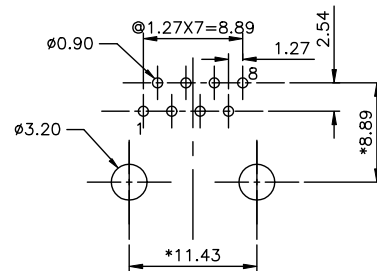
- 1. HOUSING MATERIAL : PBT+30% OR PBT+20% UL94V-0.
- 2. CONTACT MATERIAL : PHOSPHOR BRONZE t=0.35mm.
- 3. PLATING : GOLD PLATING OVER NICKEL.
- 4. OPERATING LIFE : 750 CYCLES MIN.
- 5. PCB RETENTION PRE-SOLDER : 1 LB MIN.
- 6. PCB RETENTION POST-SOLDER: 10 LBS MIN.

**ENVIRONMENTAL:**

- 1. STORAGE : -40°C TO +85°C.
- 2. OPERATION : 0°C TO +70°C.
- 3. WAVE SOLDERING TEMPERATURE: 230~250°C(5~10SECONDS)

MATES WITH MODULAR PLUG CONFORMING TO  
FCC PART 68, SUBPART F.  
CUL FILE NO. E163191

ROHS PART NUMBER: E5288-X00XXX-L  
 3-W/ FRE LOGO      1- 3u"    2- 6u"  
 R-W/O FRE LOGO    3-15u"   4-30u"  
                           5-50u"  
 △ U-PBT+20% BK    3-W/ PANNEL STOP  
 V-PBT+30% BK     4-W/O PANNEL STOP



PC Board Layout Component Side Shown

DFTO ANKLE DATE 03/28/05 CHKDRANKLE DATE 2005/11/2 MFO DATE APPVLSHSHNG DATE 2005/11/2		<b>FULL RISE ELECTRONIC CO., LTD</b>	
TOLERANCES EXCEPT AS NOTED MM .0 ± 0.2 .00 ± 0.15 .000 ± 0.075		TITLE (DIP & IMPROVED TYPE) <b>RJ45 TOP ENTRY PCB JACK</b>	
DEFORMED LIST ANGLES ± 0.5 THIRD ANGLE PROJECTION		MATERIAL : QTY : FINISH : SCALE :	
DRAWING NO. GE523100_LC /PART NO. SEE NOTE		SIZE <b>A3</b>	REV <b>1</b>
DO NOT SCALE DRAWING		SHEET <b>1</b>	OF

8 | 7 | 6 | 5 | 4 | 3 | 2 | 1

H  
G  
F  
E  
D  
C  
B  
A