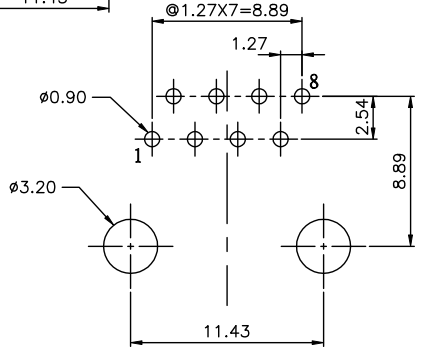
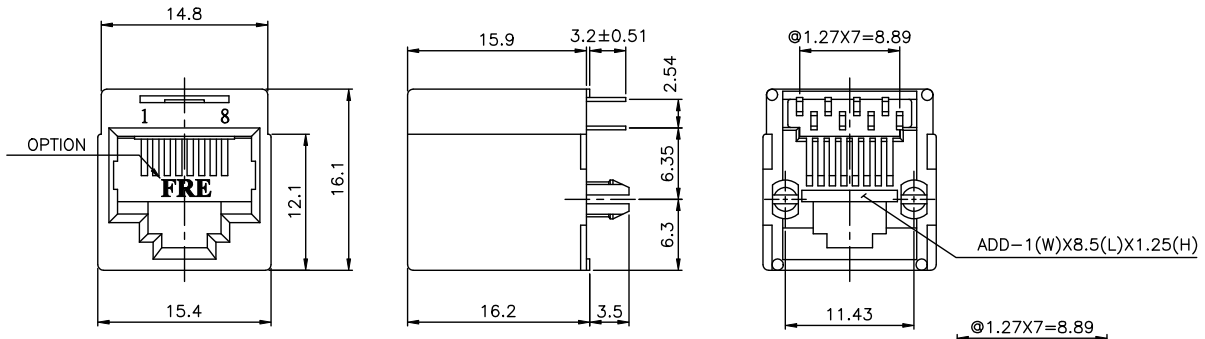


D1RFRD006

REVISION RECORD				
REV	ECO	DESCRIPTION	DRFT	CHKD
△		DRAWING MODIFY		2/20/2002
△		NOTES MODIFY		10/22/04



PC Board Layout Component Side Shown

NOTES:

- ELECTRICAL:**
- VOLTAGE RATING : 125 VAC RMS.
 - CURRENT RATING : 1.5 AMP.
 - CONTACT RESISTANCE : 30 MILLIOHMS MAX.
 - INSULATION RESISTANCE: 1000 MEGOHMS MIN @ 500 VDC.
 - DIELECTRIC STRENGTH : 1000 VAC RMS 60Hz, 1MIN.
- MECHANICAL:**
- HOUSING MATERIAL : GLASS FILLED POLYESTER UL94V-0.
 - CONTACT MATERIAL : PHOSPHOR BRONZE t=0.35mm.
 - PLATING : GOLD PLATING OVER NICKEL.
 - OPERATING LIFE : 750 CYCLES MIN.
 - PCB RETENTION PRE-SOLDER : 1 LB MIN.
 - PCB RETENTION POST-SOLDER: 10 LBS MIN.
- ENVIRONMENTAL:**
- STORAGE : -40°C TO +85°C.
 - OPERATION: -40°C TO +85°C.
- MATES WITH MODULAR PLUG CONFORMING TO FCC PART 68, SUBPART F.
- CUL FILE NO. E163191
- PART NUMBER: E528X-X00X4X
- | | | |
|----------------|-------------|--------|
| 8--BP8C | 1- 3u" | 2- 6u" |
| 6--BP6C | 3-15u" | 4-30u" |
| 4--BP4C | 5-50u" | |
| 2--BP2C | 0--A06-0100 | |
| 3-W/ FRE LOGO | 1--A06-0080 | |
| R-W/O FRE LOGO | | |

MM (INCH)		DFTO RACHEL DATE 10/15/2001	FULL RISE ELECTRONIC CO., LTD	
TOLERANCES EXCEPT AS NOTED		CHKD SAMMY DATE 2004/11/18		
MFO	DATE	APPLV LUSHING DATE 2004/11/18	TITLE	
MATERIAL :			RJ45 TOP ENTRY PCB MODULAR JACK(DIP TYPE)	
ANGLES ± 0.5			DRAWING NO. GE523045	
THIRD ANGLE PROJECTION			/PART NO. SEE NOTE	
SCALE : 3:1			DO NOT SCALE DRAWING	
			SHEET OF	

8 | 7 | 6 | 5 | 4 | 3 | 2 | 1

H
G
F
E
D
C
B
A